

Anemometer Amplifier Type SPECIAL 1056G

CARLO GAVAZZI



- Part of wind-security system for cranes
- Supply 48 - 115 - 230 - 400 VAC
- Intermittent warning level at wind speed between 50-70 km/h
- Alarm level at wind speed above 70 km/h
- 12 VDC output for anemometer
- Autotest on startup
- Measuring range: 0 - 500 Hz
- Anemometer input 10 Hz per m/s
- Automatic or manual alarm reset
- 2 different siren modes

Product Description

Special 1056G is part of a wind security system for cranes (Special 1057 is a complete wind security system). The amplifier is designed to be connected to an anemometer with an npn open collector output (e.g. PV01-2-20M1055). The system has 2 wind speed levels. A warning level activated by wind speeds between 50 and 70 km/h and an alarm level activated by wind speeds above 70km/h. At warning level the siren (optional) and the yellow signal are intermit-

tently activated. At alarm level the siren and the red signal are continuously activated. For timing see the "Operation Diagram". The system has 2 alarm reset modes and 2 siren modes (also illustrated in the "Operation Diagram"). The modes are selected on the amplifier, by the "Alarm Reset" and the "Siren mode" jumper, respectively.

On start-up the system will, in sequence, activate the red signal, the yellow signal and the siren for 2 seconds.

Ordering Key

Special 1056G

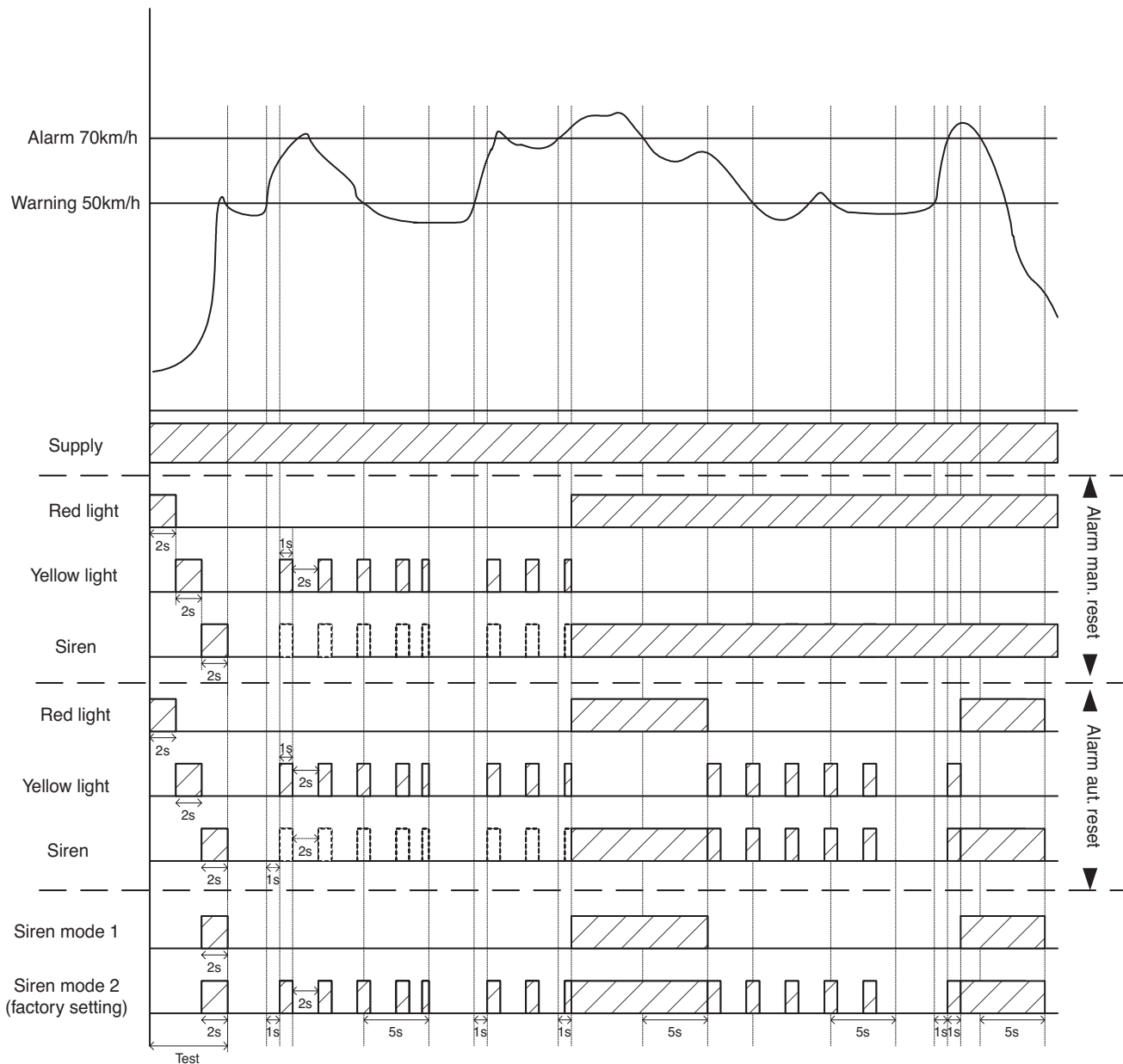
Specifications, Amplifier

Rated operational volt.	48, 115, 230 or 400 VAC ± 10% 50 Hz
Rated operational power	30VA 10W
Power ON delay incl. test	≤ 6.5 sec.
Output	12 VDC output for Anemometer
Indication function (on amplifier)	Supply ON Signal
	LED, green LED, yellow (as siren)
Environment	Overvoltage category Polytion degree Degree of protection
	III (IEC 60664, 60947-1) 4 (IEC 60664, 60947-1) IP65 (EN 60529)
Temperature	Operating Storage
	-20° to +60°C (-4° to +140°F) -30° to +80°C (-22° to +176°F)
Connection	Screw terminals (max. 2.5 mm ²)
Input:	Range Anemometer input
	0 - 500 Hz 10 Hz per m/s or 2.8 Hz pr km/h. To be connected to NPN open collector
Enclosure:	Grey polycarbonate

Specifications, Amplifier (cont.)

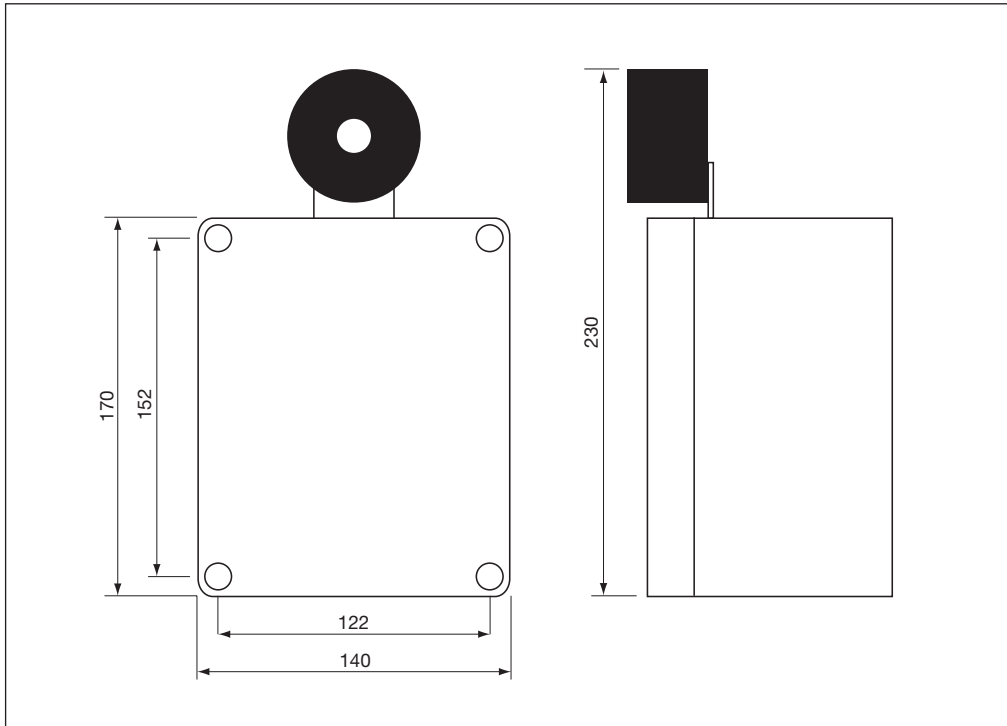
Output Signal:	
Warning: 50-70 km/h (14-19.5 m/s)	Intermittend yellow light Intermittend siren (optional)
Alarm: Above 70 km/h (19.5 m/s)	Constant red light Constant siren Typical output 110 dB @ 1 m
Siren: Light:	
Yellow LED's	20 pcs. typ. intensity 5000 Mcd. 2 x 15°
Red LED's	20 pcs. typ. intensity 5000 Mcd. 2 x 15°
Modes select:	
Alarm Reset Jumper:	
Auto	Automatic Alarm reset after min 5 sek. of windspeed below 70 km/h
Manual	Alarm is reset by disconnecting the power supply
Siren mode Jumper:	
1	Siren is not active in warning mode
2	Siren is active in warning mode
CE-marking	Yes

Operation Diagram

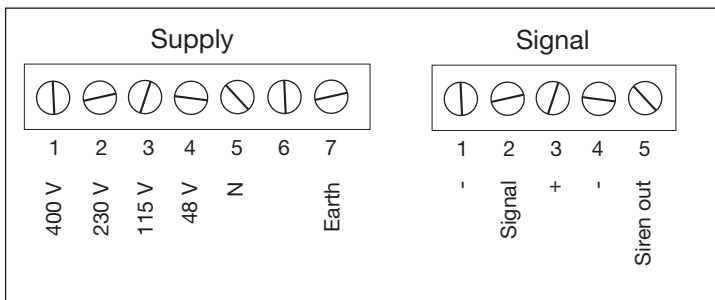


Warning level	At wind speed between 50 and 70 km/h the wind-security system is in warning mode. Intermitting yellow light and intermitting siren indicate warning mode. The siren can be active (mode 2) or inactive (mode 1) in warning mode. This is selected on the "SIREN MODE" jumper on the amplifier.
Alarm level	At wind speed above 70 km/h the wind security system is in alarm mode. Constant red light and constant siren indicate alarm mode. The system has two alarm-reset modes. In the automatic reset mode (AUTO) the alarm will be reset when the wind speed has been below 70 km/h for at least 5 sek. In the manual reset mode (MANUAL) only a disconnection of the power will reset the alarm. The "ALARM RESET" jumper on the amplifier selects the alarm reset modes.

Dimensions



Wiring Diagram



Delivery Contents

Wind security amplifier 1056G