

Motor Controllers

CTG Current Balance Transformer

Accessories



- Core balance transformers for DMPUC-EL
- Current transformer ratio 1000/1
- Internal diameter from 35 to 210 mm
- Earth leakage current alarm from 0.03A to 30A

Ordering Key

CTG-035

Model _____
Diameter _____

Product Description

A family of core balance transformers with 1000/1 ratio to monitor the earth leakage current with DMPUC-EL (alarm set-point from 0.03A to 30A). They are available with various internal diameters to satisfy the needs of several 3-phase cables diameters.

Type Selection

CTG-035	Core balance transformer 35mm
CTG-070	Core balance transformer 70mm
CTG-120	Core balance transformer 120mm
CTG-210	Core balance transformer 210mm

Input/Output Specification

Current transformer ratio	1000/1
Operating frequency	50-60Hz
Max. system voltage	720V AC
Rated insulation level	3kV AC

Connections

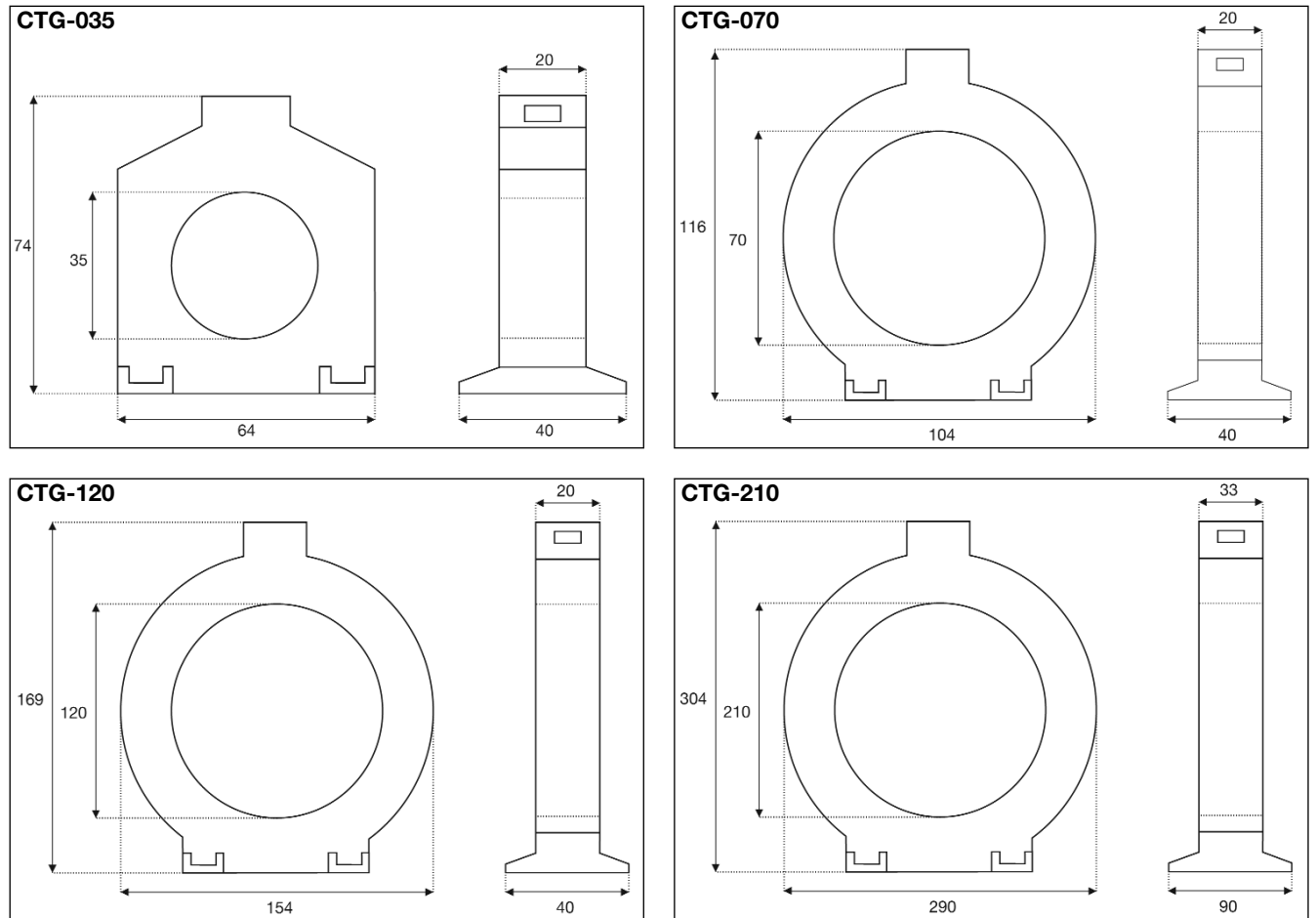
Primary connection	3-phase pass through
Secondary connection	Screw type 2 x 2.5mm ²

General Specification

Standards	According to IEC44-1, IEC185
Approvals	CE, cUL (when used with DMPUC-EL)
Dimensions (WxHxD)	
CTG-035	64 x 74 x 40 mm
CTG-070	104 x 116 x 40 mm
CTG-120	154 x 169 x 40 mm
CTG-210	209 x 304 x 90 mm

Internal diameter	
CTG-035	35mm
CTG-070	70mm
CTG-120	120mm
CTG-210	210mm
Protection degree	IP20
Weigh (cartoon box included)	
CTG-035	Approx. 80g
CTG-070	Approx. 125g
CTG-120	Approx. 235g
CTG-210	Approx. 1860g

Dimensions



Wiring Diagram with DMPUC-EL

The wiring diagram for core balance transformer depends on the earth leakage current set-point (I_{SEL}) and the current transformer ratio (R_{CTEL}); these values define the P value according of the following formula and the DMPUC-EL terminals to use:

$$P = \frac{I_{SEL}}{R_{CTEL}} \times 5 \times 10^5$$

Use C1-C terminals when $P < 694$ and C2-C terminals when $P \geq 694$. In the following table the DMPUC-EL terminals are suggested according to the I_{SEL} and R_{CTEL} .

I_{SEL}	R_{CTEL}	P	DMPUC-EL terminals
0,03	1000	15	C1-C
0,05	1000	25	C1-C
0,1	1000	50	C1-C
0,3	1000	150	C1-C
0,5	1000	250	C1-C
1	1000	500	C1-C
3	1000	1500	C2-C
5	1000	2500	C2-C
10	1000	5000	C2-C
30	1000	15000	C2-C