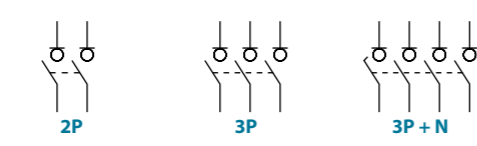


S5000 AC Switch - disconnecter base mounting 2P - 3P - 3P+N

Size 0
A 125|160|200|250

	CODE-125A	CODE-160A	CODE-125A	CODE-160A	CODE-200A	CODE-250A
2P	S5-01252PB0	S5-01602PB0	S5-01252PS0	S5-01602PS0	S5-02002PS0	S5-02502PD0
3P	S5-01253PB0	S5-01603PB0	S5-01253PS0	S5-01603PS0	S5-02003PS0	S5-02503PD0
3P+N	S5-01253NB0	S5-01603NB0	S5-01253NS0	S5-01603NS0	S5-02003NS0	S5-02503ND0



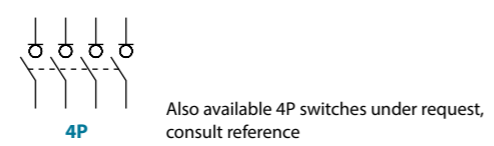
Technical information



According to IEC/EN 60947-3

		125 160 200 250				
Rated thermal current I _{th} in ambient at RH 60%	40 °C	A	125	160	200	250
	50 °C	A	125	160	200	250
	60 °C	A	125	160	200	200
Rated insulation voltage	U _i	V	1000	1000	1000	1000
Rated dielectric strength	50 Hz, 1 min.	V	4000	4000	4000	5000
Rated impulse withstand voltage	U _{imp}	kV	8	8	8	8
AC rated operational current ^{*(1)} (Rated operational frequency 50/60 Hz)	U _e 400V AC21A	A	125	160	200	250
	U _e 400V AC22A	A	125	160	200	250 ^{*(6)}
	U _e 400V AC23A	A	125	160	160	160
	U _e 500V AC21A	A	125	160	200	200
	U _e 500V AC22A	A	125	160	200	200
AC rated operational power ^{*(2)}	3x400V AC23A	kW	69,2	88,6	88,6	88,6
Rated capacitor power	400V, sen φ = 0,65	kVAr	56,2	72	72	72
Rated breaking capacity	400V AC23A	A	1000	1280	1280	1280
Rated making capacity	400V AC23A	A	1250	1600	1600	1600

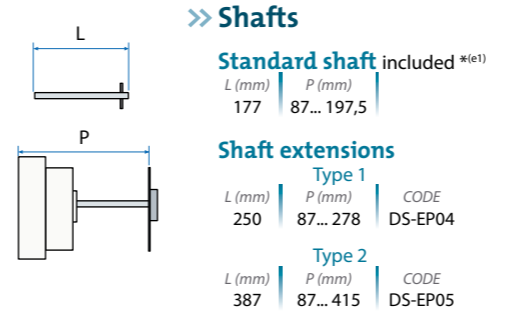
		125 160 200 250			
Short - circuit behaviour					
Rated short-circuit making capacity ^{*(3)}	I _{cm} kA (peak)	13	13	13	13
Rated short-time withstand current (1sec.)	I _{cw} kA rms	7	7	7	7
Conditional short - circuit current (rms value) ^{*(4)}	kA rms	100	100	100	100
Maximum cut - off current (peak value)	kA (peak)	17	20	20	20
Maximum power dissipation (I ² t)	A ² s (x10 ³)	55	198	198	198
Mechanical features					
Minimum number of mechanical operations ^{*(5)}	Cycles	30000	30000	30000	30000
Maximum weight 3P	Kg	0,85	0,85	0,9	0,9
Maximum weight 3P+N	Kg	1	1	1	1



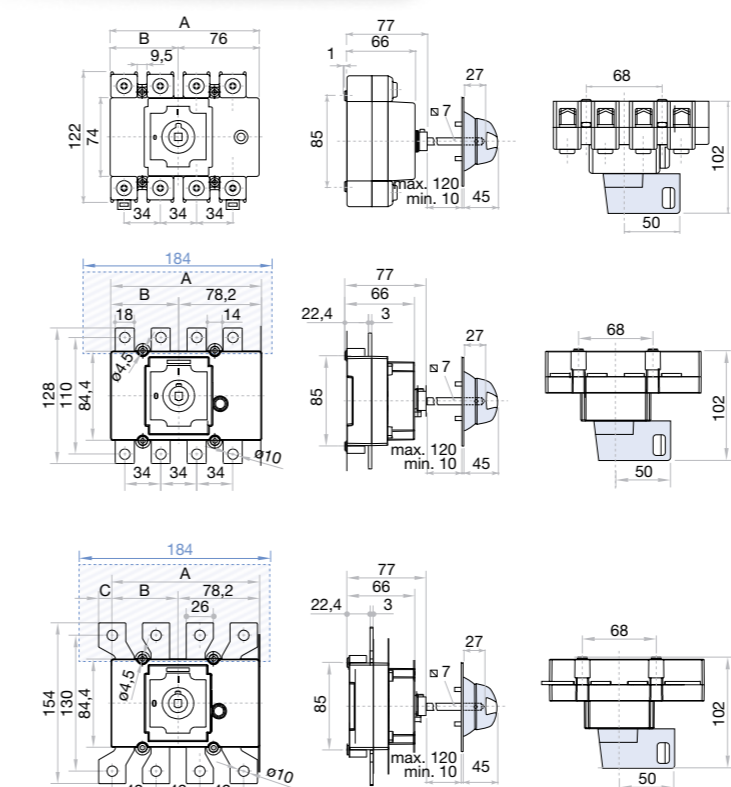
^{*(1)} Other voltages and / or utilization categories. Please consult
^{*(2)} Indicative values: current values vary from one motor manufacturer to another
^{*(3)} Without limiting protective device (short-circuit maintained 50... 200 ms.)
^{*(4)} With a protective device limiting the cut - off current and the joule integral to the indicated values
^{*(5)} Please consult us for more operations
^{*(6)} Rated operational current AC22B

Accessories

- Direct handle**
CODE DS-SI01
- Panel handle** included shaft ^{*(e1)}
IP65
CODE DS-SA01
- Panel handle** without shaft
IP65
CODE DS-SA03
- Emergency panel handle** included shaft ^{*(e1)}
IP65
CODE DS-SR01
- Terminal protection**
CODE DS-CU01
(1 unit for input or output)
- DIN rail mounting**
CODE DS-DN01
(1 kit for 125-160A switches)
- Auxiliary contacts**
1NA+1NC CODE D5LAU01
2NA+2NC CODE D5LAU02
I_e = 16 A (resistive loads)
4 A (inductive loads) at 250 Vac.
- Safety key lock device**
Simple CODE DS-CAB1
Double CODE DS-CEB1
For external handle, lock the handle by means of a key in position "OFF" (under request, in "ON"), the key can only be removed with the handle locked



Dimensions (mm)



Code	A			B			S max (Cu) mm ²	M
	2P	3P	4P	2P	3P	4P	mm ²	Nxm
125 A 160 A	129	129	140	53	53	64	95	4

Code	A			B			S max (Cu) mm ²	H max (Cu) mm	L max (Cu) mm	M
	2P	3P	4P	2P	3P	4P	mm ²	mm	mm	Nxm
125 A 160 A	131	131	142	53	53	64	95	5	25	M8 13

Code	A			B			C			S max (Cu) mm ²	Z max	H max (Cu) mm	L max (Cu) mm	M
	2P	3P	4P	2P	3P	4P	2P	3P	4P	mm ²	mm	mm	mm	Nxm
200 A 250 A	131	131	142	53	53	64	11,8			120	30	5	30	M10 18