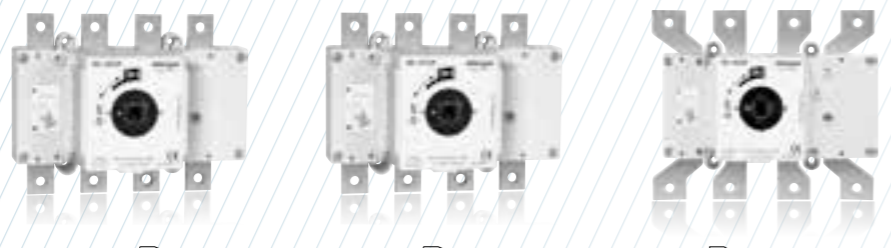
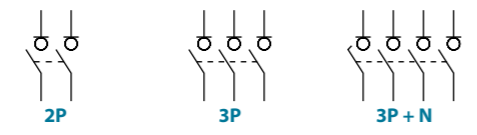


# S5000 AC Switch - disconnecter base mounting 2P - 3P - 3P+N

**Size 1**  
**A 250|315|400**



	CODE-250A	CODE-315A	CODE-400A
2P	S5-02502PRO	S5-03152PRO	S5-04002PC0
3P	S5-02503PRO	S5-03153PRO	S5-04003PC0
3P+N	S5-02503NR0	S5-03153NR0	S5-04003NC0



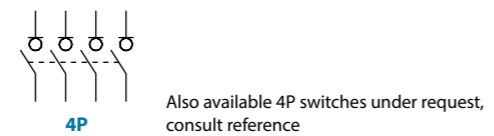
## Technical information

According to IEC/EN 60947-3



		250	315	400	
Rated thermal current in ambient at RH 60%	Ith	40 °C	A 250	315 400	
		50 °C	A 250	315 400	
		60 °C	A 250	315 320	
Rated insulation voltage	Ui	V	1000	1000 1000	
Rated dielectric strength	50 Hz., 1 min.	V	5000	5000 5000	
Rated impulse withstand voltage	Uimp	kV	8	8 8	
AC rated operational current <sup>(1)</sup>	le	Ue 400V AC21A	A	250	315 400
		Ue 400V AC22A	A	250	315 400
		Ue 400V AC23A	A	250	315 400
		Ue 500V AC21A	A	250	315 400
		Ue 500V AC22A	A	250	315 400
(Rated operational frequency 50/60 Hz)		Ue 500V AC23A	A	200	250 315
AC rated operational power <sup>(2)</sup>	Pe	3x400V AC23A	kW	138,5	174,5 221,7
Rated capacitor power		400V, sen φ = 0,65	kVAr	112,5	141,8 180,1
Rated breaking capacity		400V AC23A	A	2000	2520 3200
Rated making capacity		400V AC23A	A	2500	3150 4000

		250	315	400
<b>Short - circuit behaviour</b>				
Rated short-circuit making capacity <sup>(3)</sup>	Icm kA (peak)	20	20	20
Rated short-time withstand current (1sec.)	Icw kA rms	12	12	12
Conditional short - circuit current (rms value) <sup>(4)</sup>	kA rms	100	100	100
Maximum cut - off current (peak value)	kA (peak)	33	33	33
Maximum power dissipation (I <sup>2</sup> t)	A <sup>2</sup> s (x10 <sup>3</sup> )	1000	1000	1000
<b>Mechanical features</b>				
Minimum number of mechanical operations <sup>(5)</sup>	Cycles	20000	20000	20000
Maximum weight 3P	Kg	1,7	1,7	1,9
Maximum weight 3P+N	Kg	1,9	1,9	2,1



<sup>(1)</sup> Other voltages and / or utilization categories. Please consult  
<sup>(2)</sup> Indicative values: current values vary from one motor manufacturer to another  
<sup>(3)</sup> Without limiting protective device (short-circuit maintained 50... 200 ms.)  
<sup>(4)</sup> With a protective device limiting the cut - off current and the joule integral to the indicated values  
<sup>(5)</sup> Please consult us for more operations



## Accessories

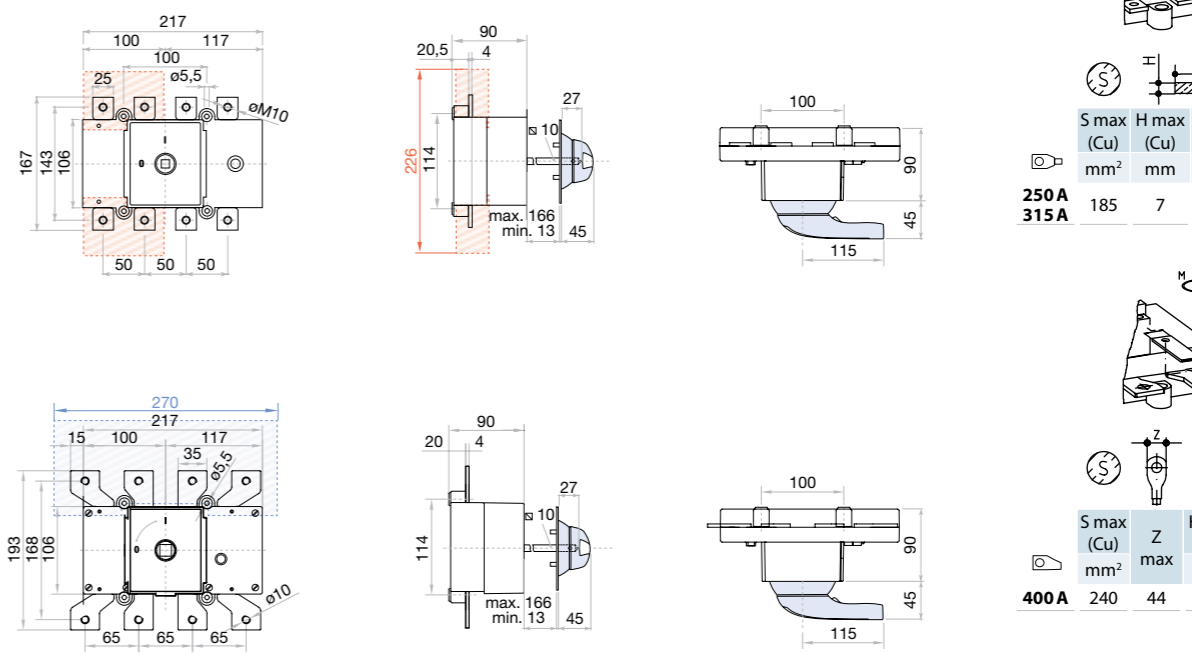
- Direct handle**  
CODE DS-SI11
- Panel handle** included shaft <sup>(e1)</sup>  
IP65|UL50E/NEMA 250  
Types: 1, 3R, 4, 4X y 12  
CODE DS-SA11
- Panel handle** without shaft  
IP65|UL50E/NEMA 250  
Types: 1, 3R, 4, 4X y 12  
CODE DS-SA14
- Emergency panel handle** included shaft <sup>(e1)</sup>  
IP65|UL50E/NEMA 250  
Types: 1, 3R, 4, 4X y 12  
CODE DS-SR11
- Terminal protection**  
CODE DS-CU12  
(1 unit for input or output)
- Terminal shrouds**  
CODE DS-CU11  
(1 kit for input or output)
- Auxiliary contacts**  
1NA+1NC CODE D5LAU01  
2NA+2NC CODE D5LAU02  
le = 16 A (resistive loads)  
4 A (inductive loads) at 250 Vac.
- Safety key lock device**  
Simple CODE DS-CA11  
Double CODE DS-CE11

For external handle, lock the handle by means of a key in position "OFF" (under request, in "ON"), the key can only be removed with the handle locked

Panel drilling for handle and keylock device  
 Simple Double



## Dimensions (mm)



S max (Cu) mm <sup>2</sup>	H max (Cu) mm	L max (Cu) mm	T M Nxmm
250A	185	7	25 M10 18
315A			

S max (Cu) mm <sup>2</sup>	Z max	H max (Cu) mm	L max (Cu) mm	T M Nxmm
400A	240	44	7	40 M10 24