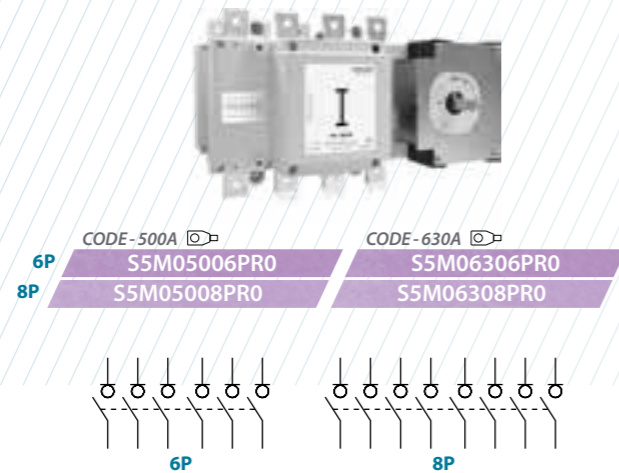


S5000M AC Switch - disconnecter base mounting 6P - 8P

Size 2
A 500|630



Technical information



According to IEC/EN 60947-3

		500		630	
Rated thermal current in ambient at RH 60%	I _{th}	40 °C	A	500	630
		50 °C	A	500	630
		60 °C	A	500	630
Rated insulation voltage	U _i	V		1000	1000
Rated dielectric strength	50 Hz., 1 min.	V		8000	8000
Rated impulse withstand voltage	U _{imp}	kV		12	12
AC rated operational current ^{*(1)} (Rated operational frequency 50 / 60 Hz)	I _e	U _e 400V	AC21A	A	500 630
		U _e 400V	AC22A	A	500 630
		U _e 400V	AC23A	A	500 630
		U _e 500V	AC21A	A	500 630
		U _e 500V	AC22A	A	500 630
AC rated operational power ^{*(2)}	P _e	3x400V	AC23A	kW	277,1 349,1
Rated capacitor power		400V, sen φ = 0,65	kVAr	225,1	283,7
Rated breaking capacity		400V	AC23A	A	4000 5000
Rated making capacity		400V	AC23A	A	5000 6300

		500		630	
Short - circuit behaviour					
Rated short-circuit making capacity ^{*(3)}	I _{cm}	kA (peak)	26	26	
Rated short-time withstand current (1sec.)	I _{cw}	kA rms	16	16	
Conditional short - circuit current (rms value) ^{*(4)}		kA rms	100	100	
Maximum cut - off current (peak value)		kA (peak)	39	39	
Maximum power dissipation (I ² t)		A ² s (x10 ³)	1600	1600	
Mechanical features					
Minimum number of mechanical operations ^{*(5)}		Cycles	10000	10000	
Maximum weight 6P		Kg	12,3	12,3	
Maximum weight 8P		Kg	13	13	

^{*(1)} Other voltages and / or utilization categories. Please consult
^{*(2)} Indicative values: current values vary from one motor manufacturer to another
^{*(3)} Without limiting protective device (short-circuit maintained 50... 100 ms.)
^{*(4)} With a protective device limiting the cut - off current and the joule integral to the indicated values
^{*(5)} Please consult us for more operations

Accessories

- Direct handle**
 CODE DS-LI22
- Terminal shrouds**
 CODE DS-CU21
 (1 kit for input or output only frontal side)
- Panel handle** included shaft ^{*(e1)}
 IP65|UL50E/NEMA 250
 Types: 1, 3R, 4, 4X y 12
 CODE DS-LA22
- Emergency panel handle** included shaft ^{*(e1)}
 IP65|UL50E/NEMA 250
 Types: 1, 3R, 4, 4X y 12
 CODE DS-LR22
- Auxiliary contacts**
 1NA+1NC CODE DS-AU11
 2NA+2NC CODE DS-AU12
 I_e = 16 A (resistive loads)
 4 A (inductive loads) at 250 Vac.
- Safety key lock devices**
 Simple CODE DS-CB21
 Double CODE DS-CF21
 For external handle, lock the handle by means of a key in position "OFF" (under request, in "ON"), the key can only be removed with the handle locked
 Panel drilling for handle and keylock device
 Simple Double
- Shafts**
 Standard shaft included ^{*(e1)}
 L (mm) | P (mm)
 239 | 325... 490

Dimensions (mm)

