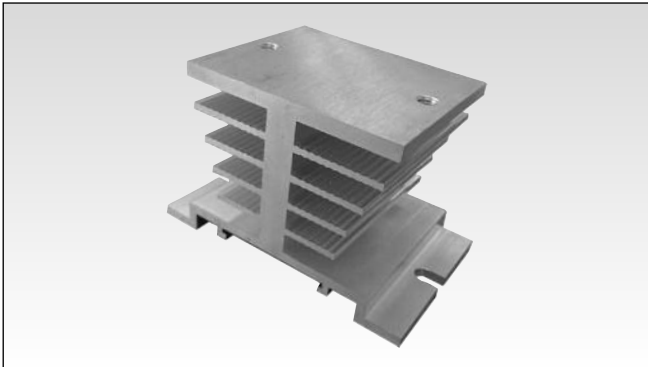


Solid State Relays Accessories, Heatsinks Types RHS5050D, RHS5050RFD

CARLO GAVAZZI



- 3.5 °C/W thermal resistance
- Suitable for mounting of 1-phase SSRs
- Panel mounting
- Dimensions W x H x D: 80 x 50 x 51 mm
- RoHS compliant

Product Description

Heatsink assembly suitable for mounting of 1x 1-phase solid state relay (SSR).

Conditions apply. Please ask your Sales representative for further details.

Suffix H60 added to SSR part no. refers to factory mounted heatsink.

Ordering Key

RHS5050D

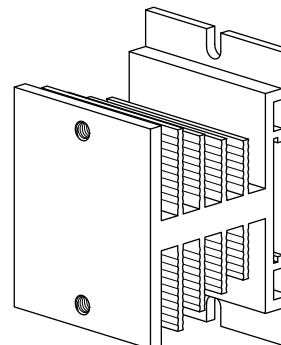
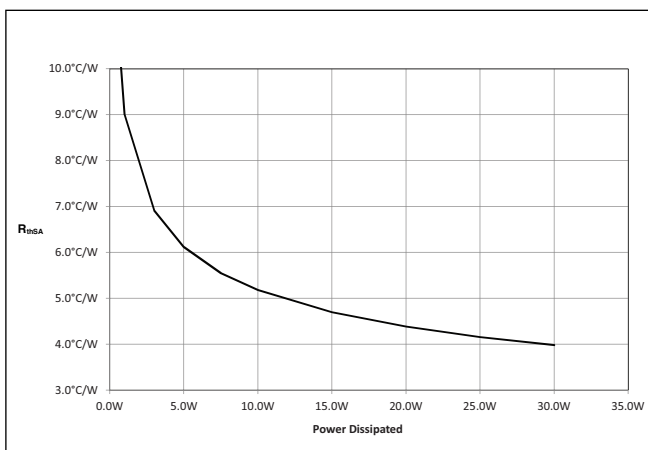
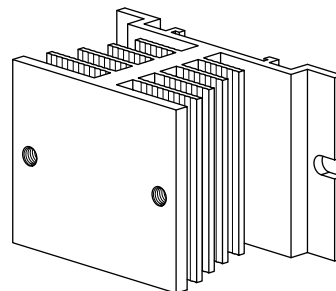
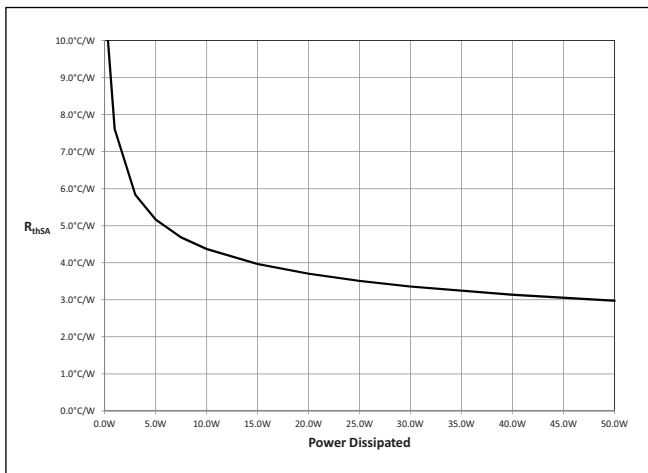
Suitable only for SSRs with a mounting pitch of 47.5mm such as the RA, RD, RS, RM and RAM series

Ordering Key

RHS5050RFD

Suitable only for SSRs with a mounting pitch of 30mm such as the RF1 series

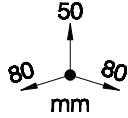
Thermal Resistance Curve

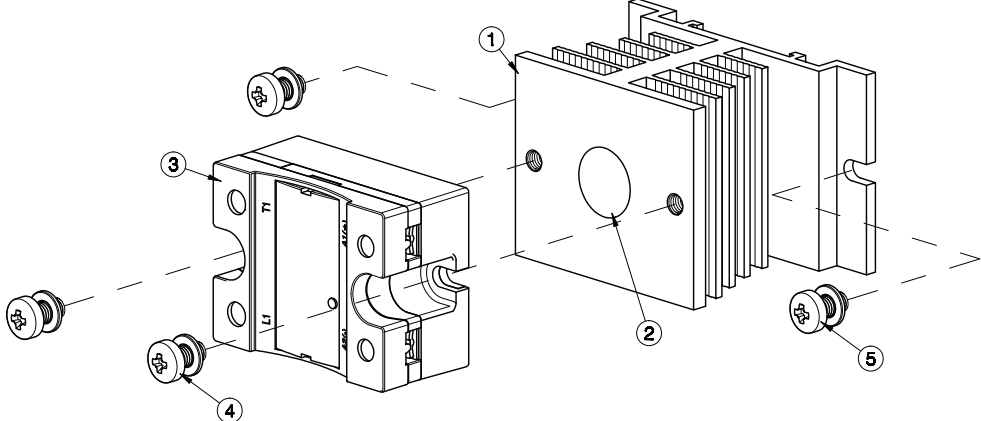


Heatsink Assembly

Components for assembly		Qty	RHS5050D
1	RHS5050D Heatsink Assembly	1	Provided
2	Thermal Compound or Pad	1	Not Provided
3	1-phase SSR 45x59mm	1	Not Provided
4	M5x10mm PZ2 + Washer	2	Provided
5	Panel Mounting Screws Ø5mm max.	2	Not Provided

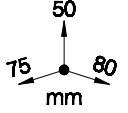
Dimensions including the SSR

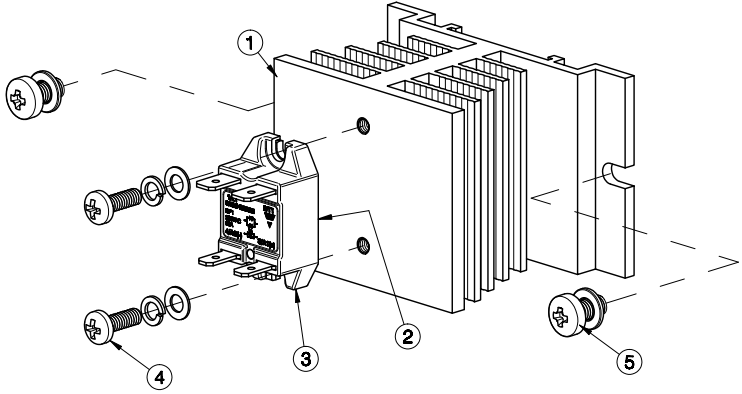




Components for assembly		Qty	RHS5050RFD
1	RHS5050RFD Heatsink Assembly	1	Provided
2	Phase change thermal pad	1	Pre-attached to RF1
3	1-phase SSR 21x36mm	1	Not Provided
4	M4x12mm PZ2 + Washer	2	Provided
5	Panel Mounting Screws Ø5mm max.	2	Not Provided

Dimensions including the SSR

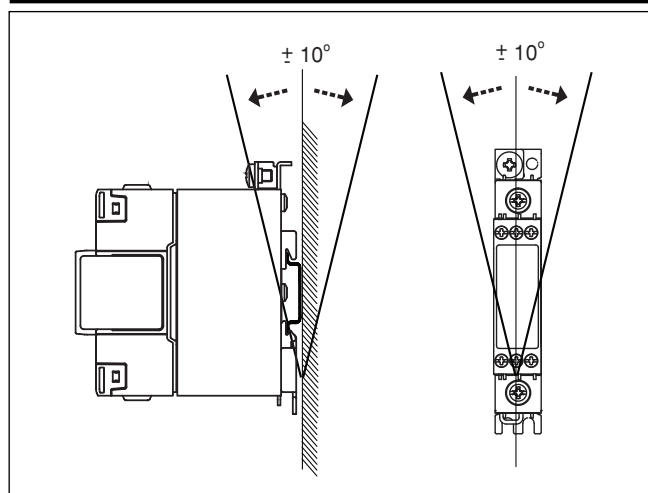




General Specifications

SSR max. mounting torque	1.5Nm (13.3 lb-in)
Weight (excl. SSR)	approx. 165g
Material	Aluminium
Finish	None
Fan mounting	Not possible

Mounting Position



Installation

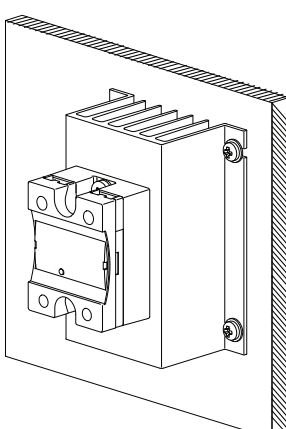
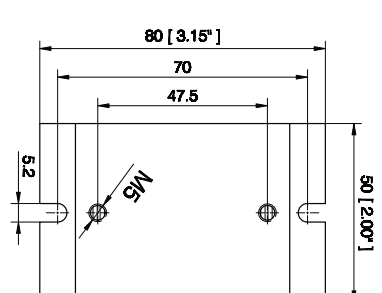
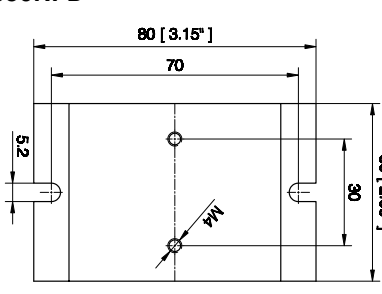


Illustration is for example only

RHS5050D



RHS5050RFD



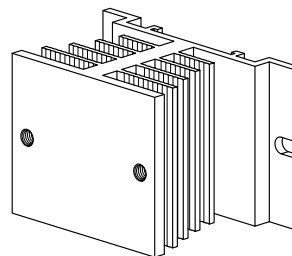
All dimensions in mm.

Recommended Maximum Current Rating (per SSR)

Notes:

- The below recommendations are only valid when the assembly (SSR + heatsink) is mounted as shown in the mounting instructions unless otherwise indicated.
- The indicated ratings are applicable to one SSR, one pole. Please refer to the online selector tool at www.productselection.net for different load currents, surrounding temperatures or multiple units on one heatsink.
- These recommendations are applicable only with the indicated Carlo Gavazzi thermal interface material between SSR and heatsink. In case a different thermal interface is utilised these recommendation may no longer be valid.

The results indicated below apply when heatsink is mounted in the indicated orientation:



Thermal interface = Pre-attached phase change thermal pad, **RFHT**

1x 1-phase SSR	Surrounding temperature							
	°C	20	30	40	50	60	70	80
	°F	68	86	104	122	140	158	176
RF1	25	20	17.5	15	12.5	9.5	6	3

Thermal interface = Thermal compound, **HTS02S**

1x 1-phase SSR	Surrounding temperature							
	°C	20	30	40	50	60	70	80
	°F	68	86	104	122	140	158	176
RD..	1	1	1	1	1	1	1	n/a
	5	5	5	5	5	5	4.5	n/a
RA..L RA..T	10	10	10	10	10	8	4.5	n/a
	25	17	16	14	11	8	4.5	n/a
RA..	25	21.5	20	17	14.5	11.5	8.5	n/a
	50	26	24	20.5	17	13.5	10	n/a
	90	31	28.5	24.5	20	15.5	11.5	n/a
	110	33.5	31	26.5	21.5	17	12.5	n/a
RA60..	50	26.5	24.5	21	17.5	14	10.5	n/a
RA2A..*	25	14	13	10.5	8.5	6	4	n/a
	40	15.5	14	11.5	9	6.5	4.5	n/a
	25M	14	13	10.5	8.5	6.0	4	n/a
	40M	15.5	14	11.5	9	6.5	4.5	n/a
RS1A..	10	10	9.5	8	6.5	5	3.5	n/a
	25	23	21.5	18	14.5	11	7.5	n/a
	40	25	23	19	15	11.5	7.5	n/a
RS1A..E	25	13.5	13	11	9.5	8	5.5	n/a
	40	15	14	12	10.5	7.5	5	n/a
RM1A.. RM1B.. RM1C..	25	23	21.5	18	14.5	11	7.5	n/a
	50	25	23	19	15.0	11.5	7.5	n/a
	75	30	27.5	22.5	18	13.5	9	n/a
	100	32	29.5	24.5	19.5	14.5	9.5	n/a
RM1A60.. RM1B60.. RM1C60.. RM1E60..	50	25.5	23.5	20	16	12	8	n/a
RAM1A.. RAM1B.. RAM1E..	25	23	21.5	18	14.5	11	7.5	4
	50	25	23	19	15	11.5	7.5	4
	75	30	27.5	22.5	18	13.5	9	5
	100	30	27.5	22.5	18	13.5	9	5
	125	32	29.5	24.5	19.5	14.5	9.5	5

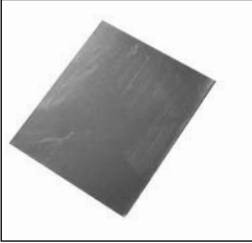
*per pole

Thermal interface = Thermal pad **KK071CUT**

1x 1-phase SSR	Surrounding temperature							
	°C	20	30	40	50	60	70	80
	°F	68	86	104	122	140	158	176
RD..	1	1	1	1	1	1	1	n/a
	5	5	5	5	5	5	4.5	n/a
RA..L RA..T	10	10	10	10	10	8	5	n/a
	25	15.5	15	13	11	8	5	n/a
RA..	25	20.5	19.5	16.5	14	11	8	n/a
	50	25	23	19.5	16.5	13	9.5	n/a
	90	29	27	23	19	15	11	n/a
	110	31.5	29	24.5	20.5	16	11.5	n/a
RA60..	50	25	23.5	20	16.5	13.5	10	n/a
RA2A..*	25	14	13	11	8.5	6.5	4	n/a
	40	15.5	14.5	12	9	7	4.5	n/a
	25M	14	13	11	8.5	6.5	4	n/a
	40M	15.5	14.5	11.5	9	7	4.5	n/a
RS1A..	10	10	9	8	6.5	5	3.5	n/a
	25	22	20	17	13.5	10.5	7	n/a
	40	23.5	21.5	18	14.5	10.5	7	n/a
RS1A..E	25	12.5	12	10.5	9	7.5	5.5	n/a
	40	14	13	11	9.5	8	5	n/a
RM1A.. RM1B.. RM1C..	25	22	20	17	13.5	10.5	7	n/a
	50	23.5	21.5	18	14.5	10.5	7	n/a
	75	27.5	25.5	21	17	12.5	8.5	n/a
	100	30	27.5	22.5	18	13.5	9	n/a
RM1A60.. RM1B60.. RM1C60.. RM1E60..	50	24	22	18.5	15	11.5	7.5	n/a
RAM1A.. RAM1B.. RAM1E..	25	22	20	17	13.5	10.5	7	4
	50	23.5	21.5	18	14.5	10.5	7	4
	75	27.5	25.5	21	17	12.5	8.5	4.5
	100	27.5	25.5	21	17	12.5	8.5	4.5
	125	30	27.5	22.5	18	13.5	9	5

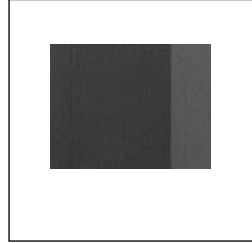
Accessories

Thermal Pads



- Ordering key: **KK071CUT**
- Packing qty. 50 pcs.
- Suitable for 1-phase SSRs
- Dimensions: 35 x 43mm

Phase Change Thermal Pad



- Ordering key: **RFHT**
- Packing qty. 10 pcs.
- Suitable for RF1 series
- Dimensions: 19 x 17mm

Thermal Compound



- Ordering key: **HTS02S**
- 2ml syringe of silicone based thermal compound

Screw Kits



- Ordering key: **SRWKITM5X10MM**
- M5x10mm PZ2 screws + washers
- Packing qty. 20pcs.
- Suitable for 1-phase SSRs