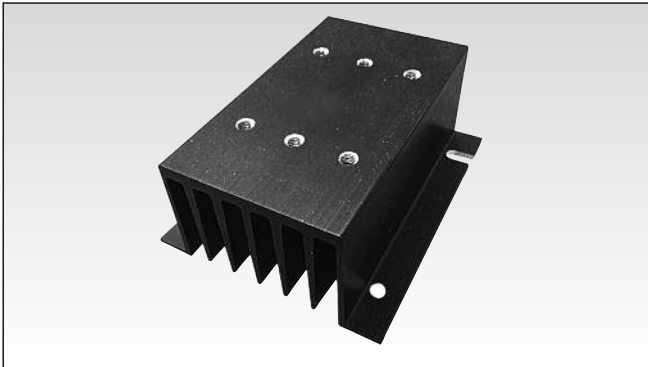


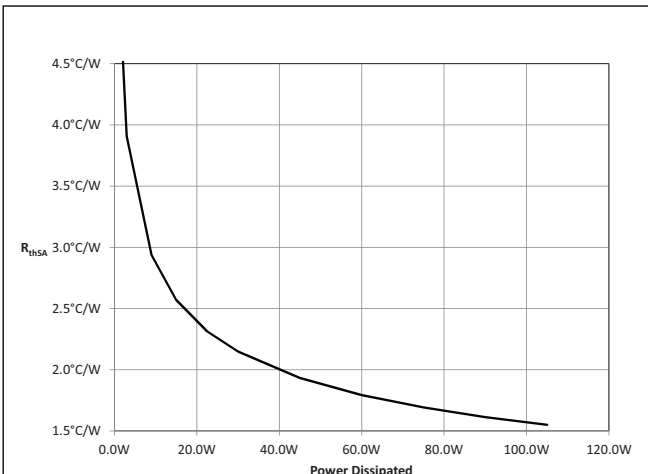
# Solid State Relays Accessories, Heatsinks Type RHS5840D

CARLO GAVAZZI



- 1.8 °C/W thermal resistance
- Suitable for mounting of 3x 1-phase SSRs
- Panel mounting
- Dimensions W x H x D: 81 x 100 x 40 mm
- RoHS compliant

## Thermal Resistance Curve



## Ordering Key

**RHS5840D**

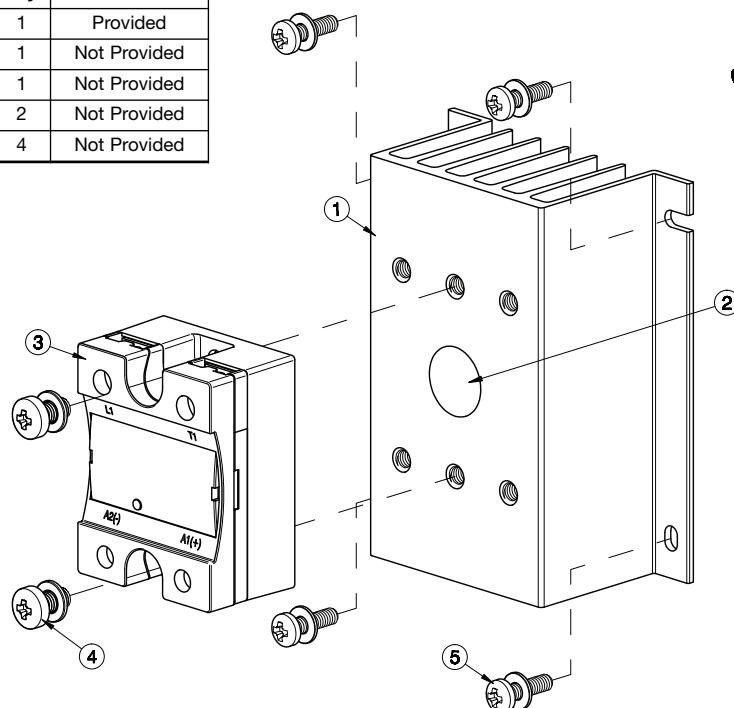
## Product Description

Heatsink assembly suitable for mounting of maximum 3x 1-phase solid state relays (SSRs).

Suffix H48 added to SSR part no. refers to factory mounted heatsink. Conditions apply. Please ask your Sales representative for further details.

## Heatsink Assembly

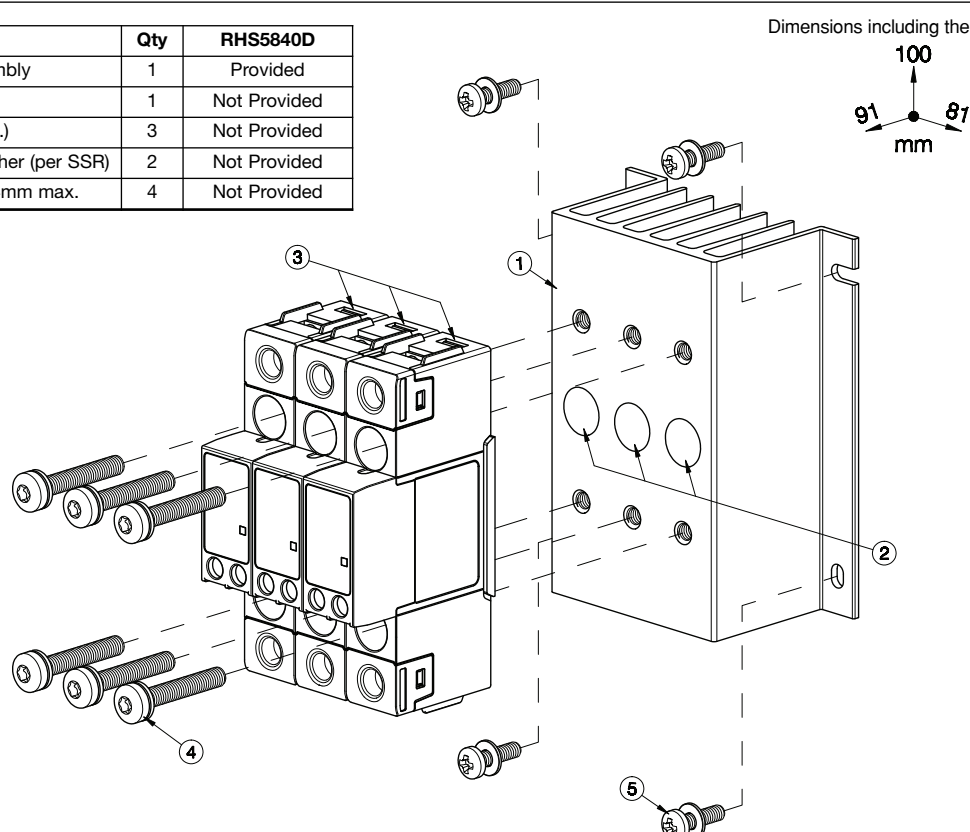
Components for assembly		Qty	RHS5840D
1	RHS5840D Heatsink Assembly	1	Provided
2	Thermal Compound or Pad	1	Not Provided
3	1-phase SSR 45x59mm	1	Not Provided
4	M5x10mm PZ2 + Washer	2	Not Provided
5	Panel Mounting Screws Ø4mm max.	4	Not Provided



# Heatsink Assembly

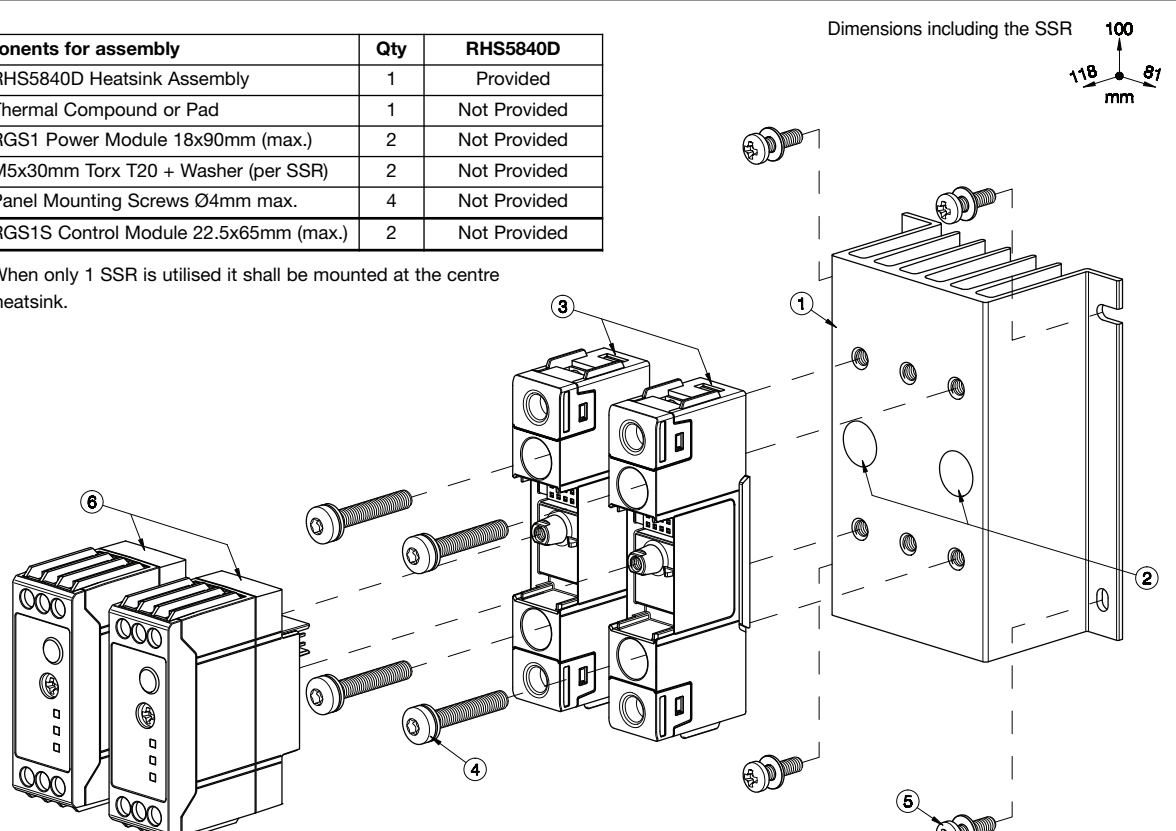
Components for assembly		Qty	RHS5840D
1	RHS5840D Heatsink Assembly	1	Provided
2	Thermal Compound or Pad	1	Not Provided
3	RGS1 SSR 18x90mm (max.)	3	Not Provided
4	M5x30mm Torx T20 + Washer (per SSR)	2	Not Provided
5	Panel Mounting Screws Ø4mm max.	4	Not Provided

Dimensions including the SSR



Components for assembly		Qty	RHS5840D
1	RHS5840D Heatsink Assembly	1	Provided
2	Thermal Compound or Pad	1	Not Provided
3	RGS1 Power Module 18x90mm (max.)	2	Not Provided
4	M5x30mm Torx T20 + Washer (per SSR)	2	Not Provided
5	Panel Mounting Screws Ø4mm max.	4	Not Provided
6	RGS1S Control Module 22.5x65mm (max.)	2	Not Provided

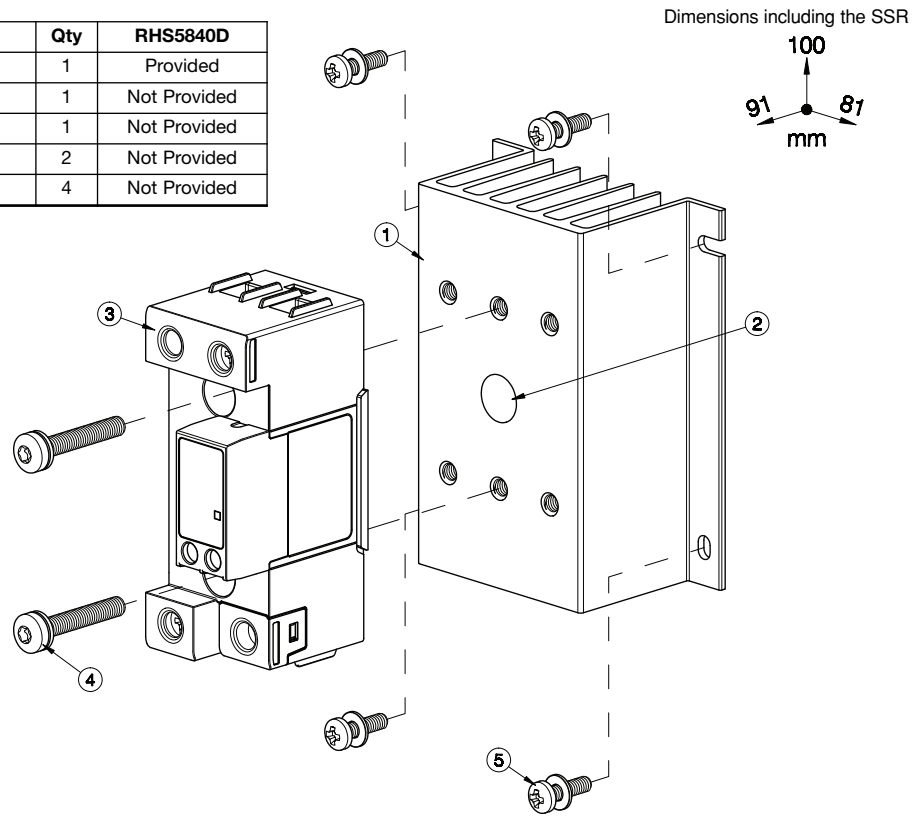
Dimensions including the SSR



Note: When only 1 SSR is utilised it shall be mounted at the centre of the heatsink.

# Heatsink Assembly

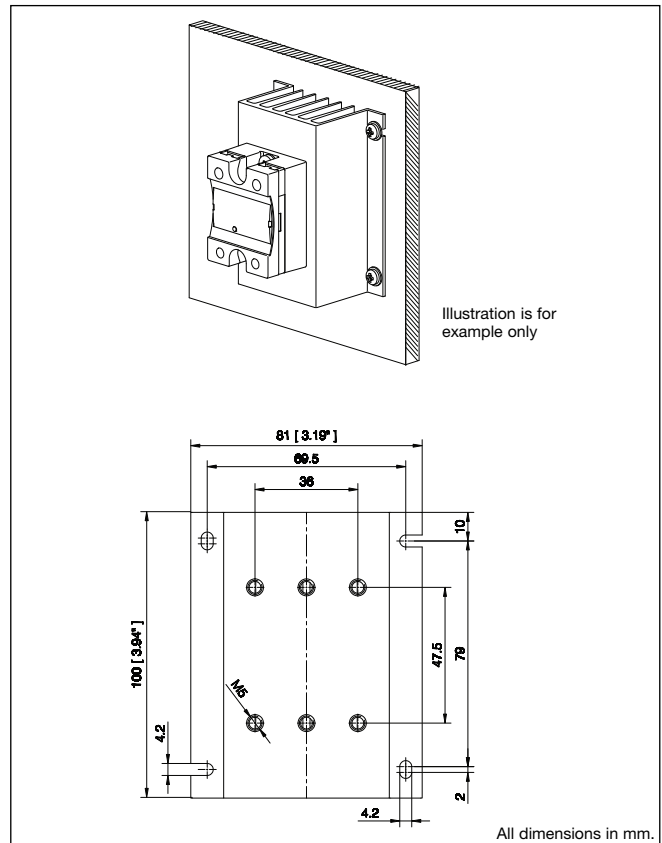
Components for assembly		Qty	RHS5840D
1	RHS5840D Heatsink Assembly	1	Provided
2	Thermal Compound or Pad	1	Not Provided
3	RGS1 or RGS1S SSR 36x90mm	1	Not Provided
4	M5x30mm Torx T20 + Washer	2	Not Provided
5	Panel Mounting Screws Ø4mm max.	4	Not Provided



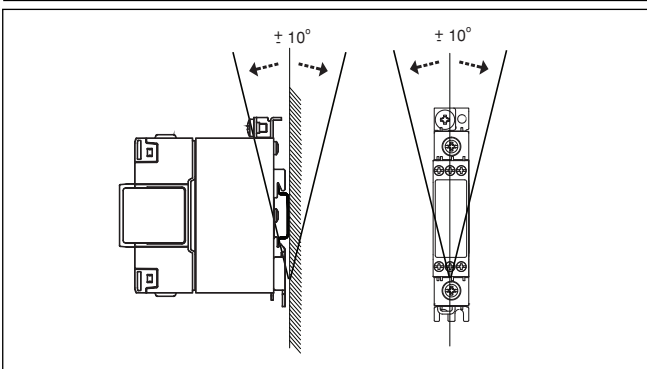
## General Specifications

SSR max. mounting torque	1.5Nm (13.3 lb-in)
Weight (excl. SSR)	approx. 225g
Material	Aluminium
Finish	Black anodization
Fan mounting	Not possible

## Installation



## Mounting Position





## Recommended Maximum Current Rating (per SSR)

Notes:

- The below recommendations are only valid when the assembly (SSR + heatsink) is mounted as shown in the mounting instructions unless otherwise indicated.
- The indicated ratings are applicable to one SSR, one pole. Please refer to the online selector tool at [www.productselection.net](http://www.productselection.net) for different load currents, surrounding temperatures or multiple units on one heatsink.
- These recommendations are applicable only with the indicated Carlo Gavazzi thermal interface material between SSR and heatsink. In case a different thermal interface is utilised these recommendation may no longer be valid.

Thermal interface = Thermal compound, HTS02S

Thermal interface = Thermal pad **KK071CUT** for 1-phase SSRs,  
**RGHT** for RG SSRs

1x 1-phase SSR	Surrounding temperature							
	°C	20	30	40	50	60	70	80
	°F	68	86	104	122	140	158	176
RD..	1	1	1	1	1	1	1	n/a
	5	5	5	5	5	5	5	n/a
RA..L RA..T	10	10	10	10	10	10	8	n/a
	25	21.5	20	17.5	15	12.5	8	n/a
RA..	25	25	24.5	21	17.5	14	10.5	n/a
	50	33.5	31	26.5	22	17.5	13	n/a
	90	41	38.5	32.5	27	21	15.5	n/a
	110	45.5	42.5	36	29.5	23	17	n/a
RA60..	50	33	31	27	22.5	18	13.5	n/a
RA2A..*	25	21	19.5	16	12.5	9.5	6.5	n/a
	40	23.5	21.5	17.5	14	10	6.5	n/a
	25M	21	19.5	16	12.5	9.5	6.5	n/a
	40M	23.5	21.5	17.5	13.5	10	6.5	n/a
RS1A..	10	10	10	9.5	8	6	4.5	n/a
	25	25	25	25	20.5	15.5	10.5	n/a
	40	36.5	33.5	28	22.5	16.5	11	n/a
RS1A..E	25	17.5	16.5	14.5	12.5	10	8	n/a
	40	20	19	16.5	14	11.5	9	n/a
RM1A.. RM1B.. RM1C..	25	25	25	25	20.5	15.5	10.5	n/a
	50	36.5	33.5	28	22.5	16.5	11	n/a
	75	43.5	40	33	26	19.5	13	n/a
	100	47	43.5	35.5	28	21	14	n/a
RM1A60.. RM1B60.. RM1C60.. RM1E60..	50	37	34	28.5	23	17.5	12	n/a
RAM1A.. RAM1B.. RM1E..	25	25	25	25	20.5	15.5	10.5	6
	50	36.5	33.5	28	22.5	16.5	11	6
	75	43.5	40	33	26	19.5	13	7
	100	43.5	40	33	26	19.5	13	7
	125	47	43.5	35.5	28	21	14	7.5
RGS1..E	25	25	25	25	25	22.5	18.5	14.5
	50	42	39.5	35	30.5	26	21	16.5
	51	41	39	34.5	30.5	26	21.5	17
	75	46.5	44	38.5	33.5	28.5	23	18
	90 91 92	49.5 49.5 49.5	46.5 46.5 46.5	41 41 41	35.5 35.5 35.5	30 30 30	24.5 24.5 24.5	19
RGS1..U	20	20	20	20	20	18.5	14.5	
	30	30	30	30	26	21	16.5	
RGS1S..E	20	23	23	23	23	22.5	18.5	n/a
	30	30	30	30	30	26	21	n/a
	31	30	30	30	30	30	24.5	n/a
	92	49.5	46.5	41	35.5	30	24.5	n/a
RGS1S..U	61	49.5	46.5	41	35.5	30	24.5	n/a
RGS1D..	15	15	15	15	15	15	12.5	10
	25	23	22	20	17.5	15	12.5	10

1x 1-phase SSR	Surrounding temperature							
	°C	20	30	40	50	60	70	80
	°F	68	86	104	122	140	158	176
RD..	1	1	1	1	1	1	1	n/a
	5	5	5	5	5	5	5	n/a
RA..L RA..T	10	10	10	10	10	10	8	n/a
	25	19.5	18.5	16	14	11.5	8	n/a
RA..	25	24.5	23	20	16.5	13.5	10	n/a
	50	31	29	24.5	20.5	16	12	n/a
	90	37	34.5	29.5	24.5	19	14	n/a
	110	40.5	38	32	26.5	21	15.5	n/a
RA60..	50	31	29	25	21.0	16.5	12.5	n/a
RA2A..*	25	20.5	19.5	16.5	13	9.5	6.5	n/a
	40	23	21.5	18	14	10.5	7	n/a
	25M	20.5	19.5	16.5	13	9.5	6.5	n/a
	40M	23	22	18	14	10.5	7	n/a
RS1A..	10	10	10	9	7.5	6	4	n/a
	25	25	25	23	18.5	14	9.5	n/a
	40	32.5	30	25	20	15	10	n/a
RS1A..E	25	16	15	13	11.5	9.5	7.5	n/a
	40	18	17	15	12.5	10.5	8.5	n/a
RM1A.. RM1B.. RM1C..	25	25	25	23	18.5	14	9.5	n/a
	50	32.5	30	25	20	15	10	n/a
	75	37.5	34.5	29	23	17.5	11.5	n/a
	100	40.5	37.5	31	24.5	18.5	12.5	n/a
RM1A60.. RM1B60.. RM1C60.. RM1E60..	50	33	30.5	25.5	20.5	15.5	10.5	n/a
RAM1A.. RAM1B.. RM1E..	25	25	25	23	18.5	14	9.5	5.5
	50	32.5	30	25	20	15	10	5.5
	75	37.5	34.5	29	23	17.5	11.5	6.5
	100	37.5	34.5	29	23	17.5	11.5	6.5
	125	40.5	37.5	31	24.5	18.5	12.5	7
RGS1..E	25	25	25	25	22.5	19	16	12.5
	50	35	33.5	29.5	25.5	22	18	14
	51	35	33	29.5	26	22	18.5	14.5
	75	39.5	37.5	33	28.5	24.5	20	15.5
	90 91 92	42 42 42	39.5 39.5 39.5	35 35 35	30.5 30.5 30.5	26 26 26	21 21 21	16.5
RGS1..U	20	20	20	20	19	16	12.5	
	30	30	30	29.5	25.5	22	18	14
RGS1S..E	20	23	23	23	22.5	19	16	n/a
	30	30	30	29.5	25.5	22	18	n/a
	31	30	30	30	30	26	21	n/a
	92	42	39.5	35	30.5	26	21	n/a
RGS1S..U	61	42	39.5	35	30.5	26	21	n/a
RGS1D..	15	15	15	15	15	15	12.5	10
	25	18.5	22	20	17.5	15	12.5	10

## Accessories

---

### Thermal Pads



- Ordering key: **KK071CUT**
- Packing qty. 50 pcs.
- Suitable for 1-phase SSRs
- Dimensions: 35 x 43mm



- Ordering key: **RGHT**
- Packing qty. 10 pcs.
- Suitable for RG SSRs
- Dimensions: 14 x 35mm

### Thermal Compound



- Ordering key: **HTS02S**
- 2ml syringe of silicone based thermal compound

### Screw Kits



- Ordering key: **SRWKITM5X10MM**
- M5x10mm PZ2 screws + washers
- Packing qty. 20pcs.
- Suitable for 1-phase SSRs



- Ordering key: **SRWKITM5X30MM**
- M5x30mm Torx T20 screws + washers
- Packing qty. 20pcs.
- Suitable for RG SSRs