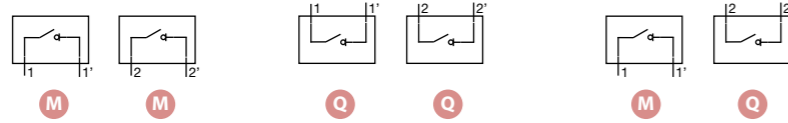


S6000N DC Switch - disconnecter base mounting 1P + 1P

Size 1
A 315|400
1500Vdc



315A 400A	CODE-1500 Vdc	S6N0315MMS0	S6N0315QQS0	S6N0315MQS0
		S6N0400MMD0	S6N0400QD0	S6N0400MQD0



Accessories

- Direct handle**
CODE DS-SI11
- Panel handle** included shaft ^{*(e1)}
IP65|UL50E/NEMA 250
Types: 1, 3R, 4, 4X y 12
CODE DS-SA11
- Panel handle** without shaft
IP65|UL50E/NEMA 250
Types: 1, 3R, 4, 4X y 12
CODE DS-SA14

Auxiliary contacts

- 1NA+1NC CODE D5LAU01
- 2NA+2NC CODE D5LAU02
- le = 16 A (resistive loads)
4 A (inductive loads) at 250 Vac.

Shafts

- Standard shaft** included ^{*(e1)}
- Type 1
L (mm) | P (mm) | CODE
227 | 179... 398,5 | DS-EP14
- Type 2
L (mm) | P (mm) | CODE
536 | 179... 707,5 | DS-EP15

Technical features



tests: **AIT** AUSTRIAN INSTITUTE OF TECHNOLOGY TOMORROW TODAY

According to IEC/EN 60947-1
IEC/EN 60947-3

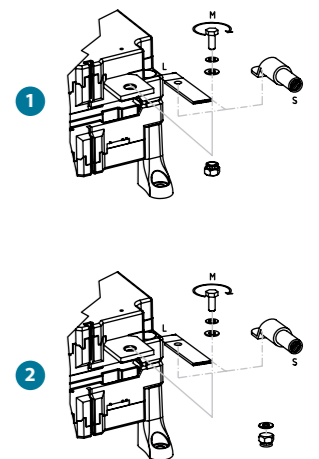
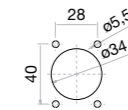
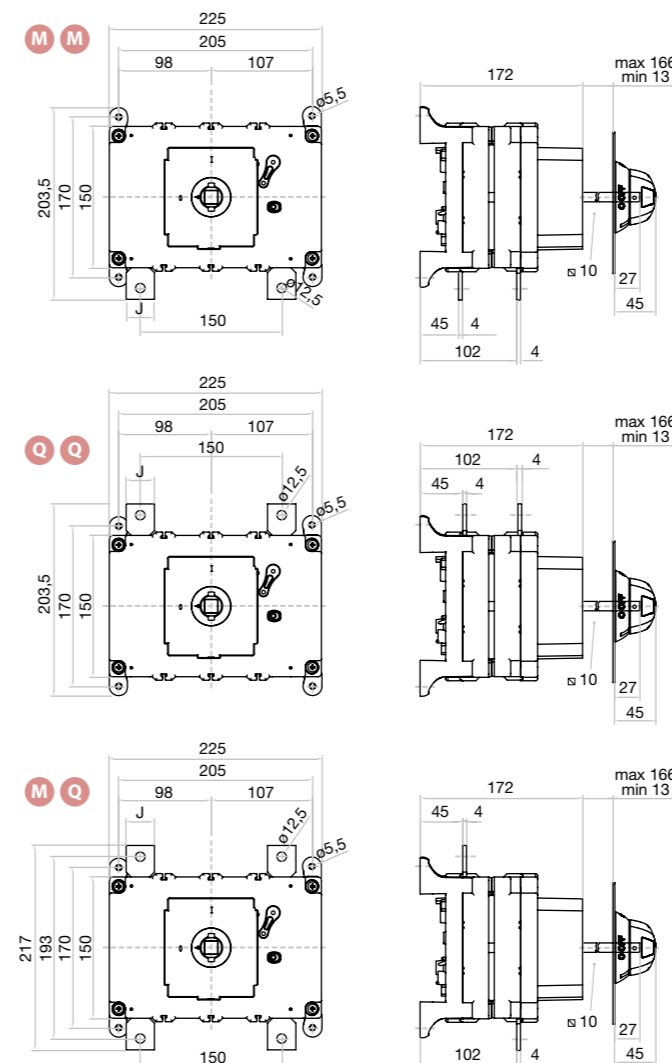
			315	400
Rated thermal current in ambient at	Ith	40° C	A 315	400
		50° C	A 315	400
		60° C	A 315	360
Rated insulation voltage (DC)	Ui		V 1500	1500
Rated dielectric strength		50 Hz., 1 min.	V 5000	5000
Rated impulse withstand voltage			kV 12	12
Rated operational current ^{*(1)}	le	1500Vdc DC21B A	315	400

			315	400
Short - circuit behaviour				
Rated short-circuit making capacity ^{*(2)}	Icm	kA (peak)	10	10
Rated short-time withstand current (1sec)	Icw	kA rms	10	10
Conditional short - circuit current ^{*(3)}		kA rms	100	100
Mechanical features				
Minimum number of mechanical operations ^{*(4)}	Cycles		8000	8000
Maximum weight			4,25	4,29

^{*(1)} Other voltages and / or utilization categories. Please consult
^{*(2)} Without limiting protective device (short-circuit maintained 50... 100 ms.)
^{*(3)} With limiting protective device which set a limit to peak value short-circuit making capacity and maximum power dissipation to indicated values
^{*(4)} Please consult us for more operations

Dimensions (mm)

Panel drilling for panel handle



	J	S max (Cu) mm ²	H max (Cu) mm	L max (Cu) mm	T	M
					Nxm	
315 A	25	185	7	25	M10	18
400 A	30	240	7	35	M10	18

