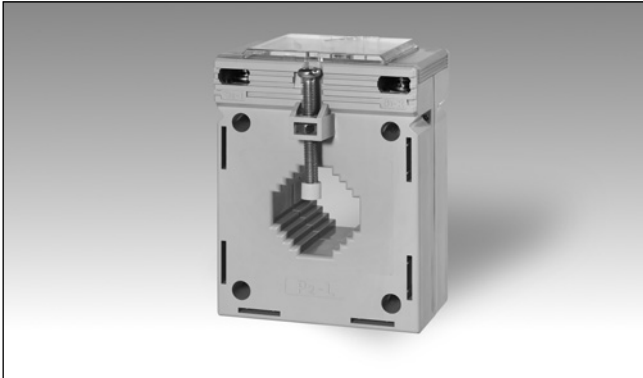


# Accessories

## AC Current Transformer

### Type CTD-2Z

CARLO GAVAZZI



- Cable and bus-bar type current transformer
- Class 0.5, currents from 40 to 600 A
- Removable panel fixing clips
- 2 cable/bus-bar isolated fixing screws

## Product Description

Cable and bus-bar type current transformer with cable/bus-bar and panel mounting facility. Rated primary currents from 40 to 600 A.

## Ordering Key

**CTD-2Z 200 5A XXX**

Model \_\_\_\_\_  
 Primary current \_\_\_\_\_  
 Secondary current \_\_\_\_\_  
 Option \_\_\_\_\_

## Type Selection

Primary current	Secondary current	Option
From 40 to 600 A	5A	XXX: none

(Refer to Range Table)

## Input Specification

Operating frequency	50/60Hz
Max. system voltage	0.72 kV
Rated insulation level	3 kV/1 min @ 50 Hz
Insulation class	B
Short-time current rating $I_{th}$	60 $I_n/1s$

## Output Specification

Rated secondary current	5A
-------------------------	----

## General Specification

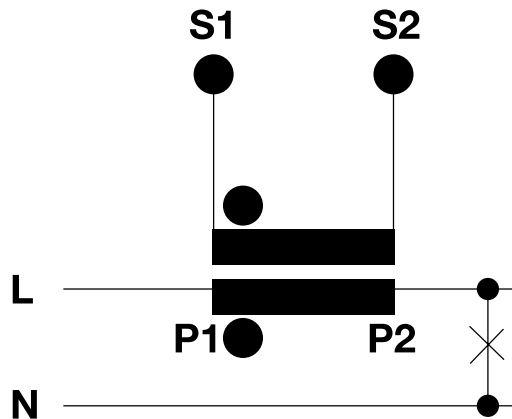
Standards	According to EN61869-2	Approvals	CE
Housing material	ABS	Connection	Screw type (4x10 mm fork lugs required)
Mounting	Cable/bus-bar and panel mounting	Cable cross section area	2.5mm <sup>2</sup>
Standard accessories	Two cable/bus-bar fixing screws. Two plastic caps for cable/bus-bar fixing screws. Four panel mounting fixing clips. Terminal block covers.	Torque	Max screws tightening torque relevant to terminal block screws: 2.6 Nm.
Working temperature	-10°C~50°C	Protection degree	IP 20
Storage temperature	-10°C~50°C	Cable diameter	Max. 28 mm
		Bus-Bar size	Max. 30x10; 25x20
		Weight	Approx. 580 g

## Range Table

Model CTD-2Z from 40 A to 200 A		
Primary current A	Class	Burden (VA) CL. 0.5
40	3	2.5
50	3	2.5
100	0.5	2.5
150	0.5	2.5
200	0.5	3.75

Model CTD-2Z from 250 A to 600 A		
Primary current A	Class	Burden (VA) CL. 1
250	0.5	5
300	0.5	5
400	0.5	5
500	0.5	5
600	0.5	5

## Wiring Diagram



## Dimensions (mm)

