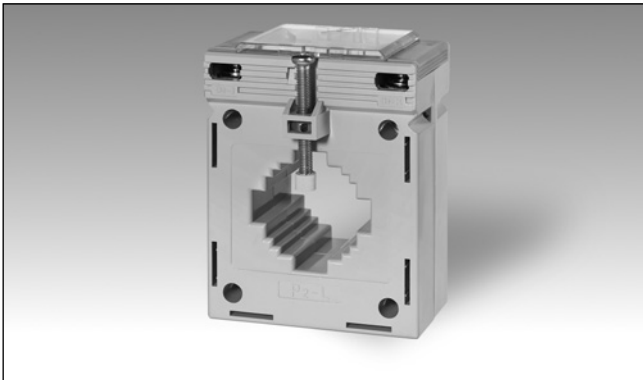


Accessories

AC Current Transformer

Type CTD-3Z



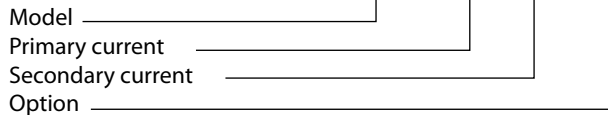
- Cable and bus-bar type current transformer
- Class 0.5, currents from 100 to 600 A
- Removable panel fixing clips
- 2 cable/bus-bar isolated fixing screws

Product Description

Cable and bus-bar type current transformer with cable/bus-bar and panel mounting facility. Rated primary currents from 100 to 600 A.

Ordering Key

CTD-3Z 200 5A XXX



Type Selection

Primary current	Secondary current	Option
From 100 to 600 A	5A	XXX: none

(Refer to Range Table)

Input Specification

Operating frequency	50/60Hz
Max. system voltage	0.72 kV
Rated insulation level	3 kV/1 min @ 50 Hz
Insulation class	B
Short-time current rating I_{th}	60 In/1s

Output Specification

Rated secondary current	5A
-------------------------	----

General Specification

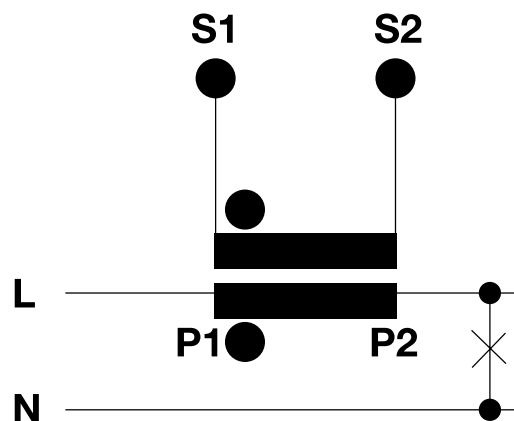
Standards	According to EN61869-2	Approvals	CE
Housing material	ABS	Connection	Screw type (4x10 mm, fork lugs required fork lugs required)
Mounting	Cable/bus-bar and panel mounting	Cable cross section area	2.5mm ²
Standard accessories	Two cable/bus-bar fixing screws. Two plastic caps for cable/bus-bar fixing screws. Four panel mounting fixing clips. Terminal block covers.	Torque	Max screws tightening torque relevant to terminal block screws: 2.6 Nm.
Working temperature	-10°C~50°C	Protection degree	IP 20
Storage temperature	-10°C~50°C	Cable diameter	Max. 28 mm
		Bus-Bar size	Max. 40x10; 30x20; 25x25;
		Weight	Approx. 500 g

Range Table

Model CTD-3Z from 100 A to 250 A		
Primary current A	Class	Burden (VA) CL. 0.5
100	0.5	1.5
150	0.5	1.5
200	0.5	1.5
250	0.5	2.5

Model CTD-3Z from 300 A to 600 A		
Primary current A	Class	Burden (VA) CL. 1
300	0.5	2.5
400	0.5	5
500	0.5	5
600	0.5	5

Wiring Diagram



Dimensions (mm)

