

Proximity Magnetic Sensors Explosive Environment FSQA2 Series

CARLO GAVAZZI



- Cylindrical AISI 303 stainless steel housing
- PG 13.5 diameter
- NO output function
- Front side switching
- Halogen free silicone cable or silicone cable with metallic sheath output connection



Product Description

The models of this series have AISI 303 stainless steel housing with halogen free silicone cable or metallic sheath output connection. They moreover, for use in explosive environments, are certified according to the ATEX Directive 1994/9/EC.

Ordering Key

FSQ A 2 B03 EX

Type _____
 Output function _____
 Reed contact type _____
 Shielding protection _____
 ATEX approval _____

Type Selection

Housing diameter	Connection	Output function	Reference
PG 13.5	Silicone cable L= 2m	NO	FSQ A 2 B01 EX
PG 13.5	Shielded halogen free cable L= 2m	NO	FSQ A 2 B03 EX

Diameters are specified in millimeters (mm)

Output Specifications

Output	NO
Contact ratings	
Max Switching Voltage	250 VAC
Max Switching Current	3 A
Max Switching Power	100 VA

Operating Distance

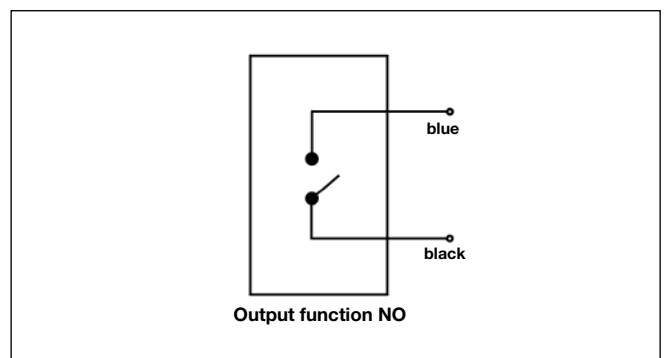
Magnetic units	CL20S3	CL90
FSQA2B01EX	8	30
FSQA2B03EX	8	30

Distances are specified in millimeters (mm)
 xx: operating distance (for all Output functions).

General Specifications

Operating distance	See Operating Distance table
Suitable magnetic unit	See Operating Distance table
Operating temperature	-20 to +60 °C
Degree of protection	IP 67
Housing	
Diameter	PG 13.5 mm
Material	AISI 303 stainless steel
Approvals	ATEX
CE-marking	Yes

Wiring Diagrams



Dimensions

