

Proximity Magnetic Sensors Level Magnetic Sensors ILMM Series

CARLO GAVAZZI



- Cylindrical AISI 304 or 316 stainless steel housing
- NO or NC output functions
- Reversible output function by float overturning
- XLPE cable output connection
- High temperature versions available
- Suited for use in corrosive environments

Product Description

The stainless steel models can be used also in corrosive environments. The micro level switches find their ideal application in food, chemical and oil industries.

The ILMM5S1 model is also available in S2 version with 1/8" gas thread.

Ordering Key

ILMM 5 S2 AT

Type _____
 Reed contact type _____
 Special version _____
 Special application _____

Type Selection

Float diameter	Connection	Output function	Reference
Ø 28	XLPE cable L= 0.3m	NO, NC*	ILMM 5
Ø 28	XLPE cable L= 0.3m	NO, NC*	ILMM 5 90
Ø 28	XLPE cable L= 1.1m	NO, NC*	ILMM 5 AT S1
Ø 28	XLPE cable L= 0.3m	NO	ILMM 5 S2 AT
Ø 28	XLPE cable L= 0.3m	NO	ILMM 5 S1
Ø 28	XLPE cable L= 0.3m	NO	ILMM 5 S2

Diameters are specified in millimeters (mm)

*Reversible output function by float overturning

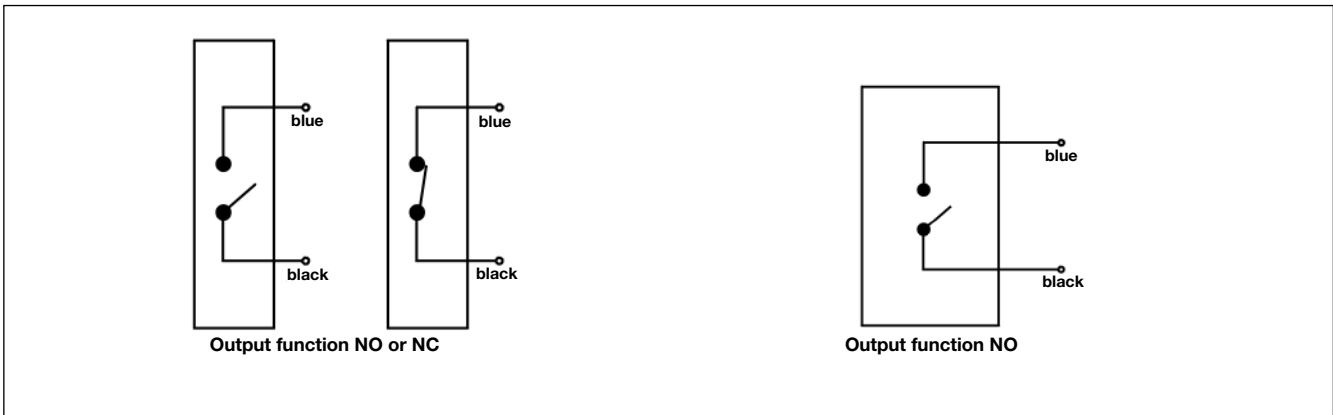
Output Specifications

Output ILMM5, ILMM590, ILMM5ATS1 ILMM5S2AT, ILMM5S1, ILMM5S2	NO, NC NO
Contact ratings Max Switching Voltage Max Switching Current Max Switching Power	240 VAC, 220 VDC 0.5 A 50 VA

General Specifications

Operating temperature ILMM5, ILMM590 ILMM5ATS1, ILMM5S2AT ILMM5S1, ILMM5S2	-10 to +120 °C -10 to +200 °C -20 to +120 °C
Degree of protection	IP 68 (cable output IP67)
Float Diameter Material ILMM5, ILMM590, ILMM5ATS1 ILMM5S2AT, ILMM5S1, ILMM5S2	Ø 28 mm AISI 304 stainless steel AISI 316 stainless steel
Min liquid specific gravity	0.75 kg/dm ³
Max pressure	10 kg/cm ²
Special applications ILMM5ATS1, ILMM5S2AT	High temperature versions
CE-marking	Yes

Wiring Diagrams



Dimensions

