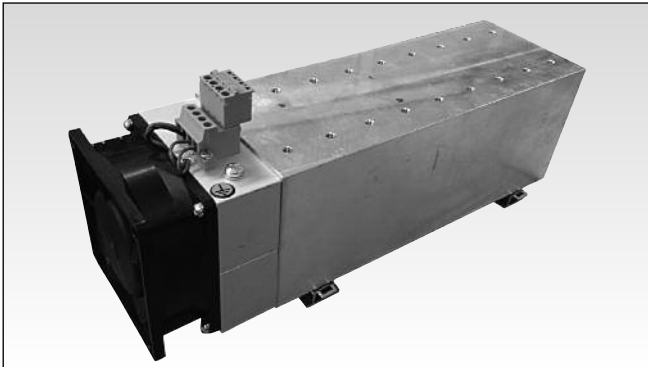


Solid State Relays Accessories, Heatsinks Type RHS28009F80-24P

CARLO GAVAZZI



- 0.12 °C/W thermal resistance
- Suitable for mounting of 9x 1-phase SSRs
- DIN rail mounting
- Dimensions W x H x D: 280 x 87 x 122 mm
- Integrated overtemperature protection
- RoHS compliant

Product Description

Heatsink assembly, including fan and overtemperature protection, suitable for mounting a maximum of 9x 1-phase solid state relays (SSRs).

Suffix H41 added to SSR part no. refers to factory mounted heatsink. Conditions apply. Please ask your Sales representative for further details.

Ordering Key

RHS28009F80-24P

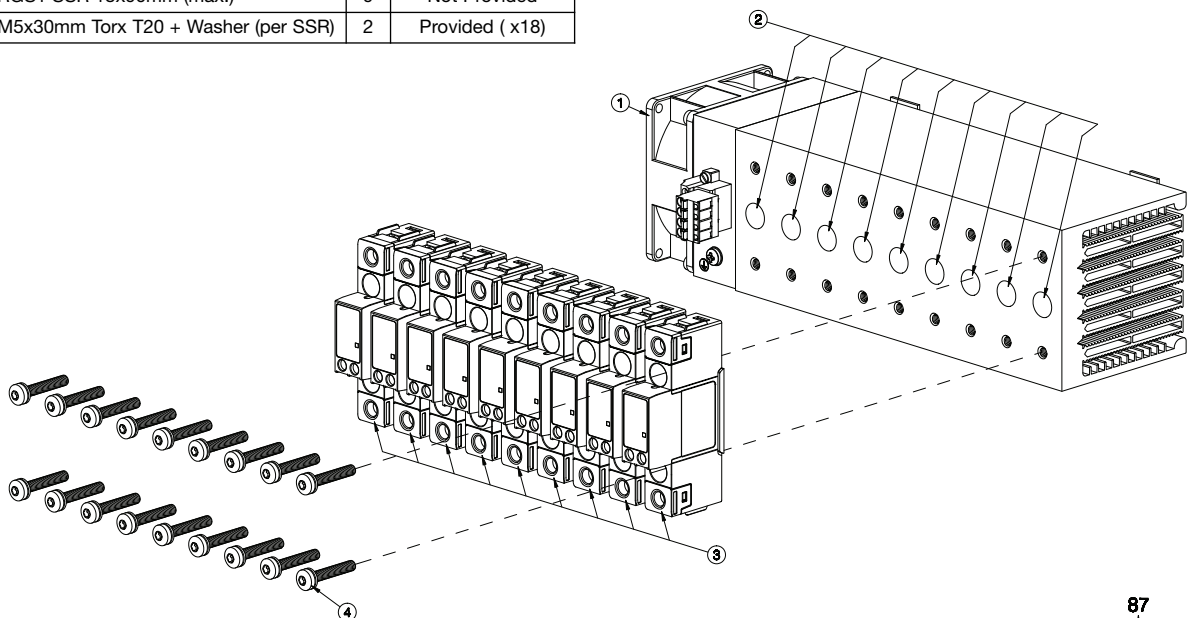
Thermal Resistance

RthSA with fan continuously ON

0.12 °C/W

Heatsink Assembly

Components for assembly	Qty	RHS28009F
1 RHS28009F80-24P Heatsink Assembly	1	Provided
2 Thermal Compound HTS02S	1	Provided
3 RGS1 SSR 18x90mm (max.)	9	Not Provided
4 M5x30mm Torx T20 + Washer (per SSR)	2	Provided (x18)

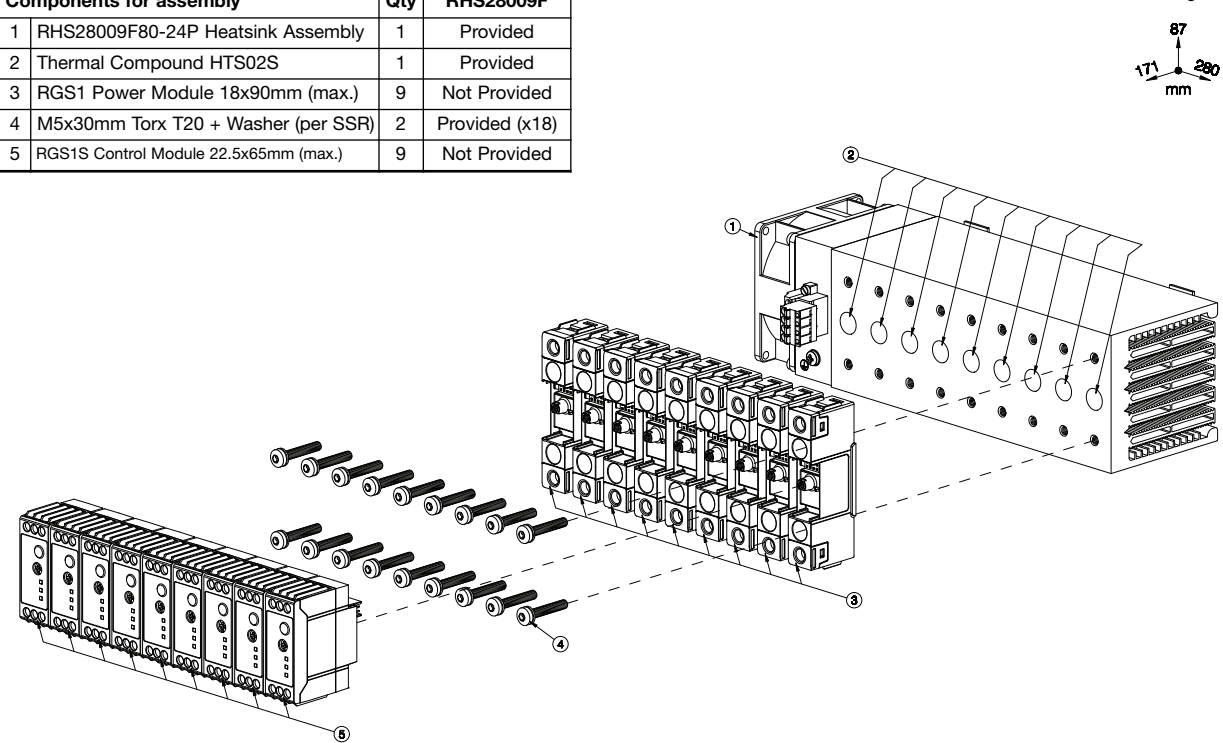


87
144 280
mm
Dimensions including the SSR

Heatsink Assembly

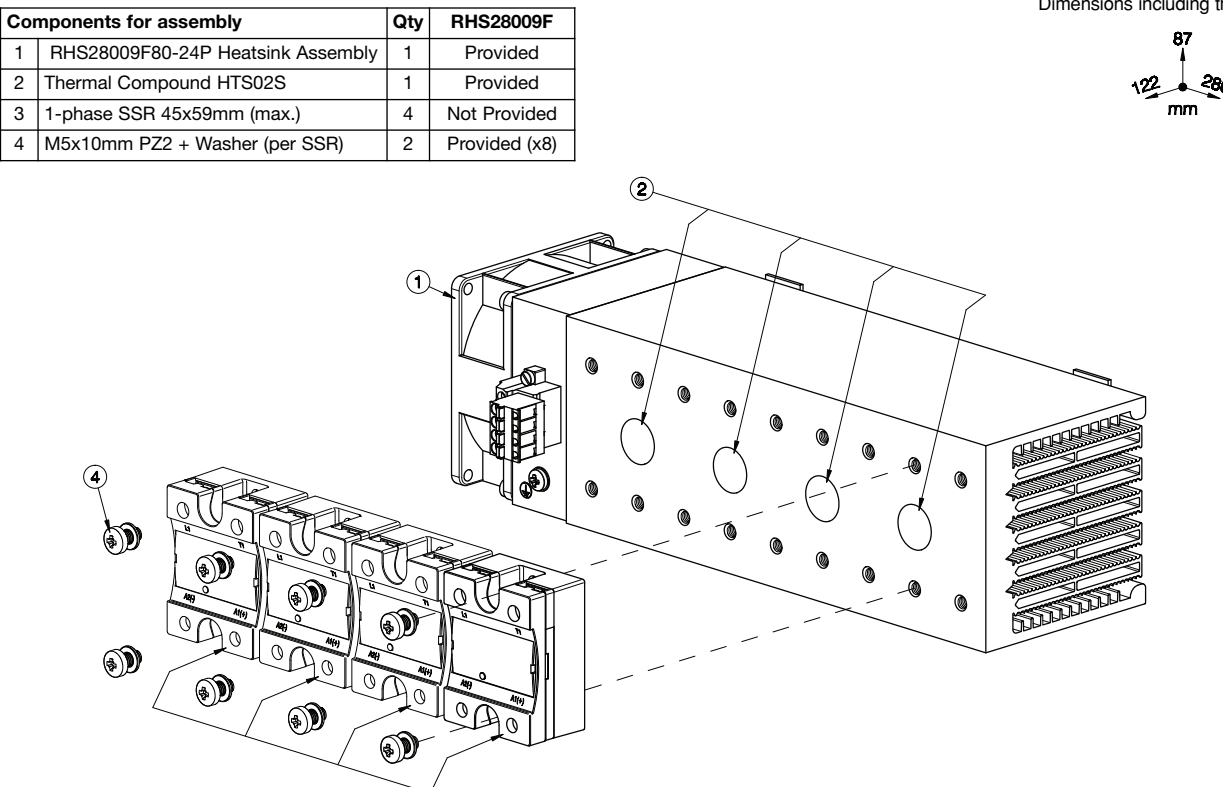
Components for assembly		Qty	RHS28009F
1	RHS28009F80-24P Heatsink Assembly	1	Provided
2	Thermal Compound HTS02S	1	Provided
3	RGS1 Power Module 18x90mm (max.)	9	Not Provided
4	M5x30mm Torx T20 + Washer (per SSR)	2	Provided (x18)
5	RGS1S Control Module 22.5x65mm (max.)	9	Not Provided

Dimensions including the SSR



Components for assembly		Qty	RHS28009F
1	RHS28009F80-24P Heatsink Assembly	1	Provided
2	Thermal Compound HTS02S	1	Provided
3	1-phase SSR 45x59mm (max.)	4	Not Provided
4	M5x10mm PZ2 + Washer (per SSR)	2	Provided (x8)

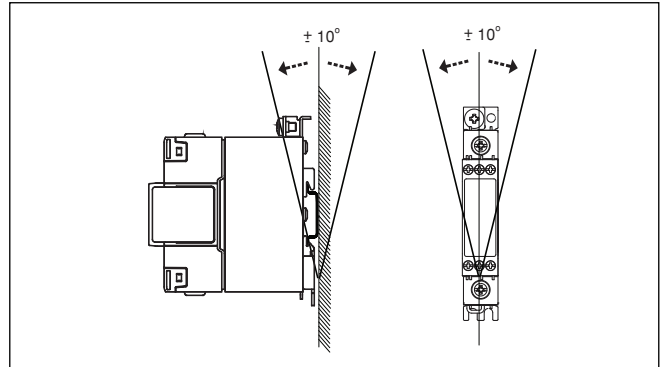
Dimensions including the SSR



General Specifications

SSR max. mounting torque	1.5Nm (13.3 lb-in)
PE screw	M4, max. 1.5Nm (13.3 lb-in)
Weight (excl. SSR)	approx. 2575g
Material	Aluminium
Finish	Silver anodization
Fan mounting	Integrated
Fan supply voltage	24VDC
Power consumption	6 Watts
Overtemperature protection	90°C

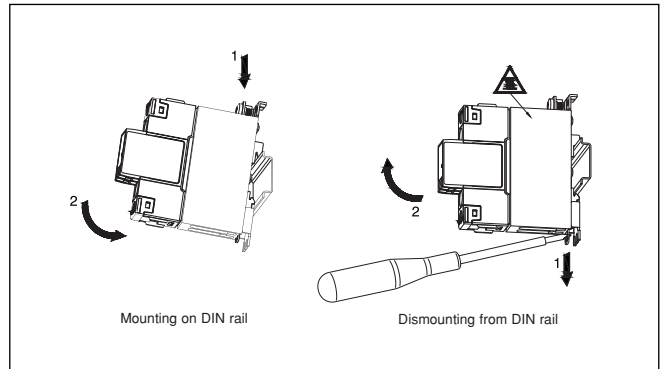
Mounting Position



Terminal Block Specifications

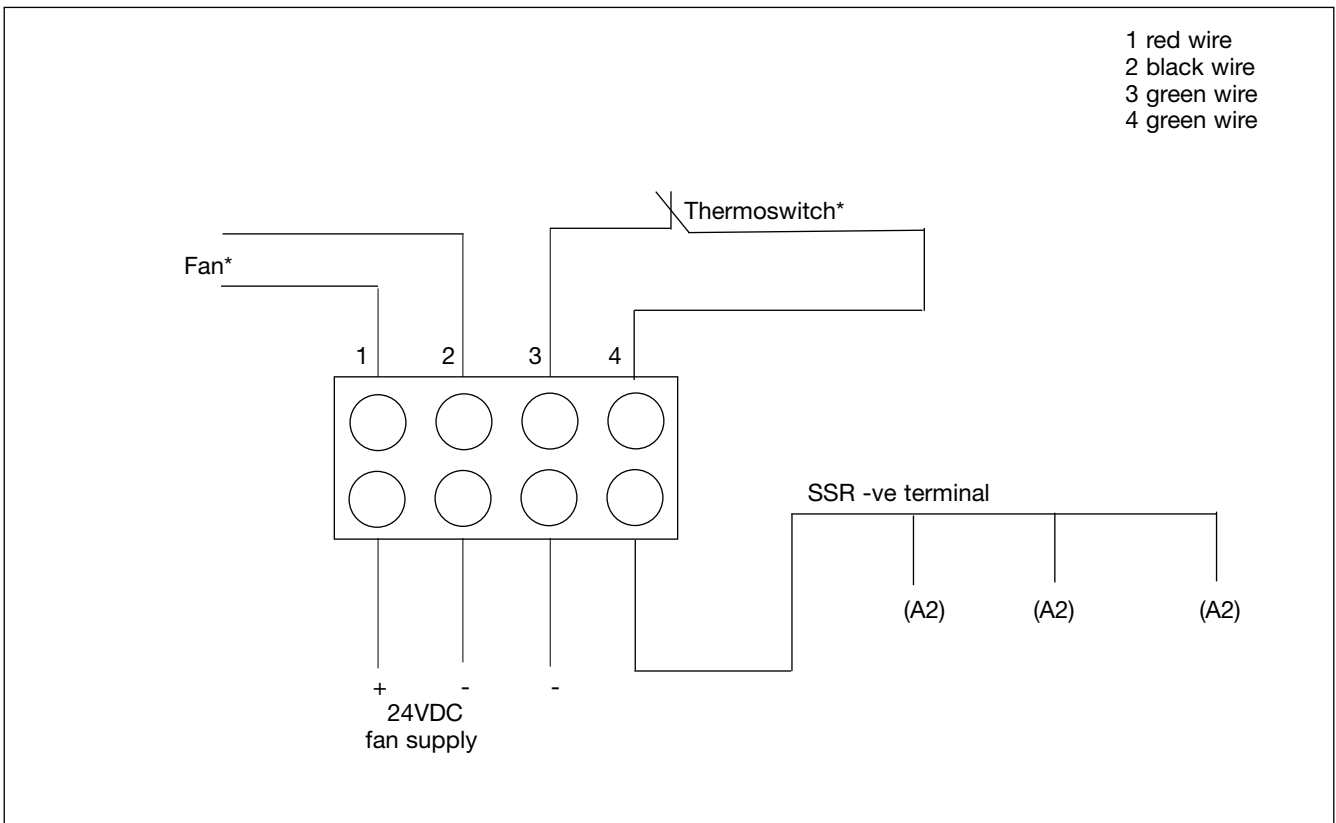
Number of positions	4
Conductor cross section	min. 0.2mm ² (AWG24)
Solid / Stranded	max. 2.5mm ² (AWG12)
Conductor cross section	min. 0.25mm ²
Stranded with ferrule	max. 2.5mm ²
2 conductors with same cross section, stranded	min. 0.5mm ²
TWIN ferrules with plastic sleeve	max. 1.5mm ²

Installation



Illustrations are for example only

Connection Diagram



*Fan and thermoswitch are assembled by manufacturer



Recommended Maximum Current Rating (per SSR)

Notes:

- The below recommendations are only valid when the assembly (SSR + heatsink) is mounted as shown in the mounting instructions unless otherwise indicated.
- The indicated ratings are applicable to one SSR, one pole. Please refer to the online selector tool at www.productselection.net for different load currents, surrounding temperatures or multiple units on one heatsink.
- These recommendations are applicable only with the indicated Carlo Gavazzi thermal interface material between SSR and heatsink. In case a different thermal interface is utilised these recommendation may no longer be valid.

Thermal interface = Thermal compound, HTS02S

Thermal interface = Thermal pad **KK071CUT** for 1-phase SSRs,
RGHT for RG SSRs

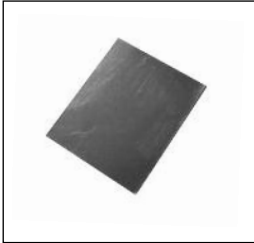
1x 1-phase SSR	Surrounding temperature						
	°C	20	30	40	50	60	70
	°F	68	86	104	122	140	158
RD..	1	1	1	1	1	1	1
	5	5	5	5	5	5	5
RA..L RA..T	10	10	10	10	10	10	10
	25	25	25	25	25	24.5	20.5
RA..	25	25	25	25	25	25	22
	50	50	50	50	50	43.5	34.5
	90	90	90	90	83	70	56
	110	110	110	110	99	83	65.5
RA60..	50	50	50	50	50	43	34.5
RA2A..*	25	25	25	25	25	25	25
	40	40	40	40	40	40	35
	25M	25	25	25	25	25	25
	40M	40	40	40	40	40	36.5
RS1A..	10	10	10	10	10	10	7.5
	25	25	25	25	25	25	25
	40	40	40	40	40	40	40
RS1A..E	25	25	25	25	23.5	20.5	17
	40	40	40	35.5	31	26.5	22
RM1A.. RM1B.. RM1C..	25	25	25	25	25	25	25
	50	50	50	50	50	50	50
	75	75	75	75	75	75	75
	100	100	100	100	100	100	98
RM1A60.. RM1B60.. RM1C60.. RM1E60..	50	50	50	50	50	50	45.5
RAM1A.. RAM1B.. RM1E..	25	25	25	25	25	25	25
	50	50	50	50	50	50	50
	75	75	75	75	75	75	75
	100	100	100	100	100	95	81.5
	125	125	125	125	125	115	98
RGS1..E	25	25	25	25	25	25	25
	50	50	50	50	50	50	50
	51	50	50	50	50	50	50
	75	75	75	75	75	75	75
	90 91 92	90	90	90	90	90	84.5
RGS1..U	20	20	20	20	20	20	20
	30	30	30	30	30	30	30
RGS1S..E	20	23	23	23	23	23	23
	30	30	30	30	30	30	30
	31	30	30	30	30	30	30
	92	90	90	90	90	90	84.5
RGS1D..	15	15	15	15	15	15	15
	25	25	25	25	25	25	25

* per pole

1x 1-phase SSR	undi						
	°C	20	30	40	50	60	70
	°F	68	86	104	122	140	158
RD..	1	1	1	1	1	1	1
	5	5	5	5	5	5	5
RA..L RA..T	10	10	10	10	10	10	10
	25	25	25	25	24	20.5	17
RA..	25	25	25	25	25	24	19
	50	50	50	48.5	42	35	27.5
	90	79.5	75.5	66.5	57.5	48	38
	110	92	87	76.5	65.5	54.5	43
RA60..	50	50	50	47.5	41.5	34.5	27.5
RA2A..*	25	25	25	25	25	25	25
	40	40	40	40	38.5	33.5	29
	25M	25	25	25	25	25	25
	40M	40	40	40	39.5	35	30
RS1A..	10	10	10	10	10	9.5	7
	25	25	25	25	25	25	25
	40	40	40	40	40	40	40
RS1A..E	25	25	25	23	20.5	17.5	14.5
	40	34	32.5	28.5	25	21.5	17.5
RM1A.. RM1B.. RM1C..	25	25	25	25	25	25	25
	50	50	50	50	50	49.5	40
	75	75	75	75	73	62	46.5
	100	100	100	95.5	85	68.5	51
RM1A60.. RM1B60.. RM1C60.. RM1E60..	50	50	50	50	48.5	43	37
RAM1A.. RAM1B.. RM1E..	25	25	25	25	25	25	25
	50	50	50	50	50	49.5	40
	75	75	75	75	73	62	46.5
	100	94.5	90	82	73	62	46.5
	125	111	106	95.5	85	68.5	51
RGS1..E	25	25	25	25	25	25	25
	50	50	50	50	50	48	41.5
	51	50	50	50	50	47	40.5
	75	75	75	70	62.5	55	47.5
	90 91 92	85.5	82	74.5	67	59	50.5
RGS1..U	20	20	20	20	20	20	20
	30	30	30	30	30	30	30
RGS1S..E	20	23	23	23	23	23	23
	30	30	30	30	30	30	30
	31	30	30	30	30	30	30
	92	85.5	82	74.5	67	59	50.5
RGS1D..	15	15	15	15	15	15	15
	25	25	25	25	25	23	20

Accessories

Thermal Pads



- Ordering key: **KK071CUT**
- Packing qty. 50 pcs.
- Suitable for 1-phase SSRs
- Dimensions: 35 x 43mm



- Ordering key: **RGHT**
- Packing qty. 10 pcs.
- Suitable for RG SSRs
- Dimensions: 14 x 35mm

Thermal Compound



- Ordering key: **HTS02S**
- 2ml syringe of silicone based thermal compound

Screw Kits



- Ordering key: **SRWKITM5X10MM**
- M5x10mm PZ2 screws + washers
- Packing qty. 20pcs.
- Suitable for 1-phase SSRs



- Ordering key: **SRWKITM5X30MM**
- M5x30mm Torx T20 screws + washers
- Packing qty. 20pcs.
- Suitable for RG SSRs