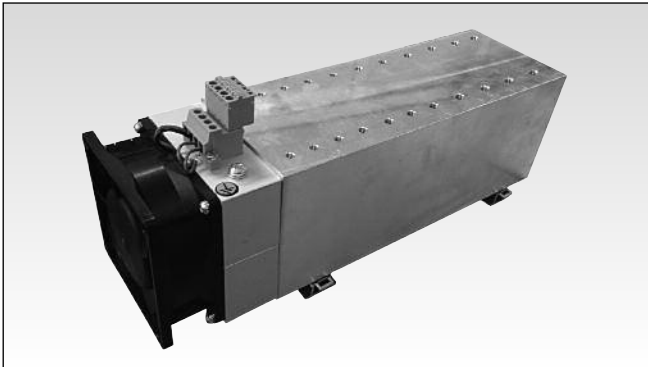


Solid State Relays Accessories, Heatsinks Type RHS28011F80-24P

CARLO GAVAZZI



- 0.12 °C/W thermal resistance
- Suitable for mounting of 11x 1-phase SSRs
- DIN rail mounting
- Dimensions W x H x D: 280 x 87 x 122 mm
- Integrated overtemperature protection
- RoHS compliant

Product Description

Heatsink assembly, including fan and overtemperature protection, suitable for mounting a maximum of 11x 1-phase solid state relays (SSRs).

Suffix H44 added to SSR part no. refers to factory mounted heatsink. Conditions apply. Please ask your Sales representative for further details.

Ordering Key

RHS28011F80-24P

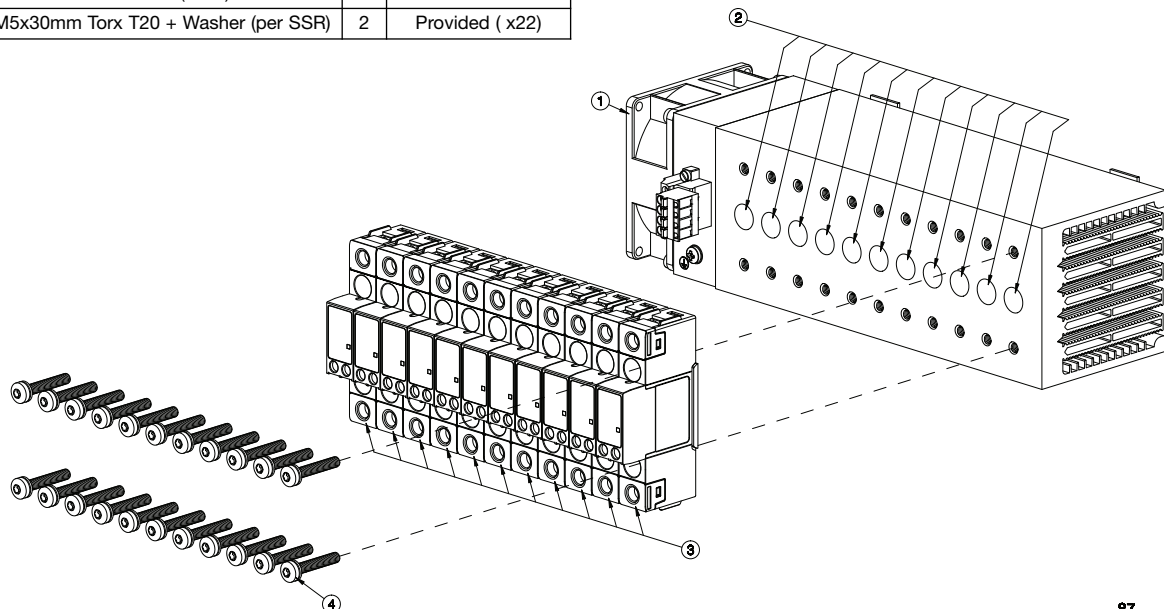
Thermal Resistance

RthSA with fan continuously ON

0.12 °C/W

Heatsink Assembly

Components for assembly	Qty	RHS28011F.
1 RHS28011F80-24P Heatsink Assembly	1	Provided
2 Thermal Compound HTS02S	1	Provided
3 RGS1 SSR 18x90mm (max.)	11	Not Provided
4 M5x30mm Torx T20 + Washer (per SSR)	2	Provided (x22)



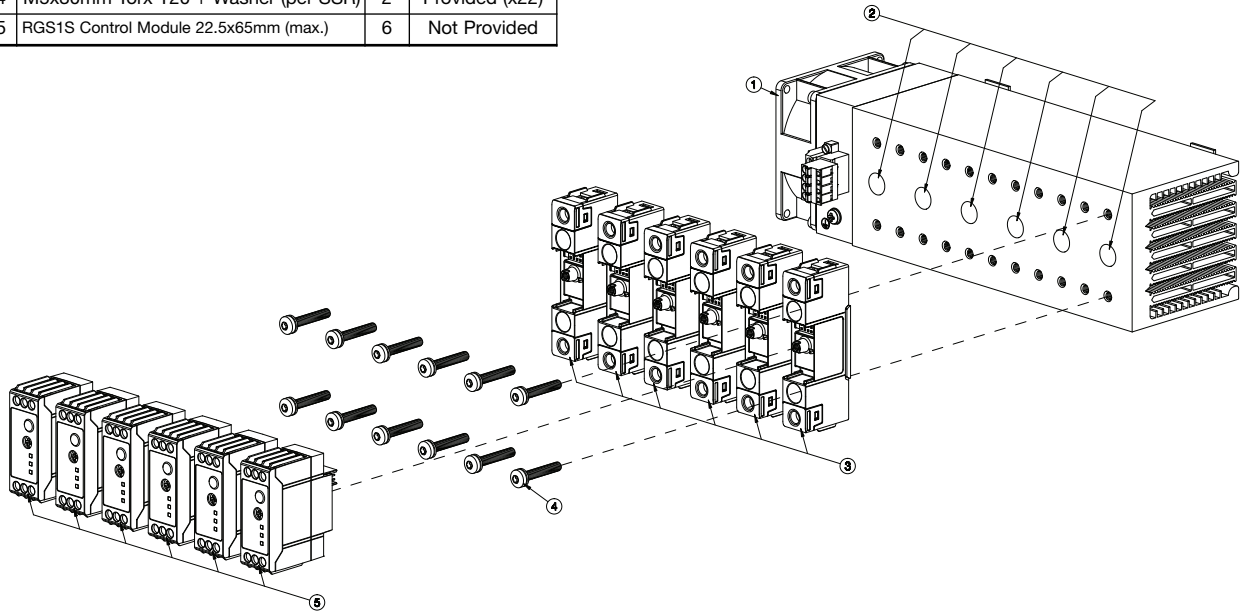
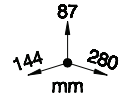
87
144 280
mm

Dimensions including the SSR

Heatsink Assembly

Components for assembly	Qty	RHS28011F..
1 RHS28011F80-24P Heatsink Assembly	1	Provided
2 Thermal Compound HTS02S	1	Provided
3 RGS1 Power Module 18x90mm (max.)	6	Not Provided
4 M5x30mm Torx T20 + Washer (per SSR)	2	Provided (x22)
5 RGS1S Control Module 22.5x65mm (max.)	6	Not Provided

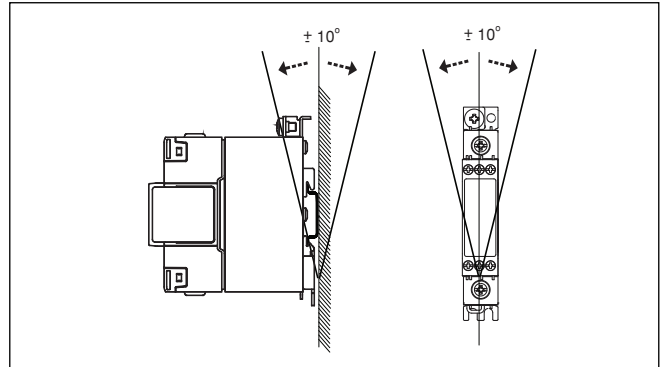
Dimensions including the SSR



General Specifications

SSR max. mounting torque	1.5Nm (13.3 lb-in)
PE screw	M4, max. 1.5Nm (13.3 lb-in)
Weight (excl. SSR)	approx. 2580g
Material	Aluminium
Finish	Silver anodization
Fan mounting	Integrated
Fan supply voltage	24VDC
Power consumption	6 Watts
Overtemperature protection	90°C

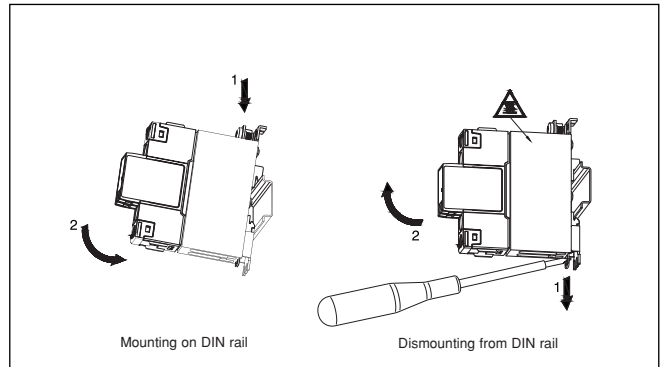
Mounting Position



Terminal Block Specifications

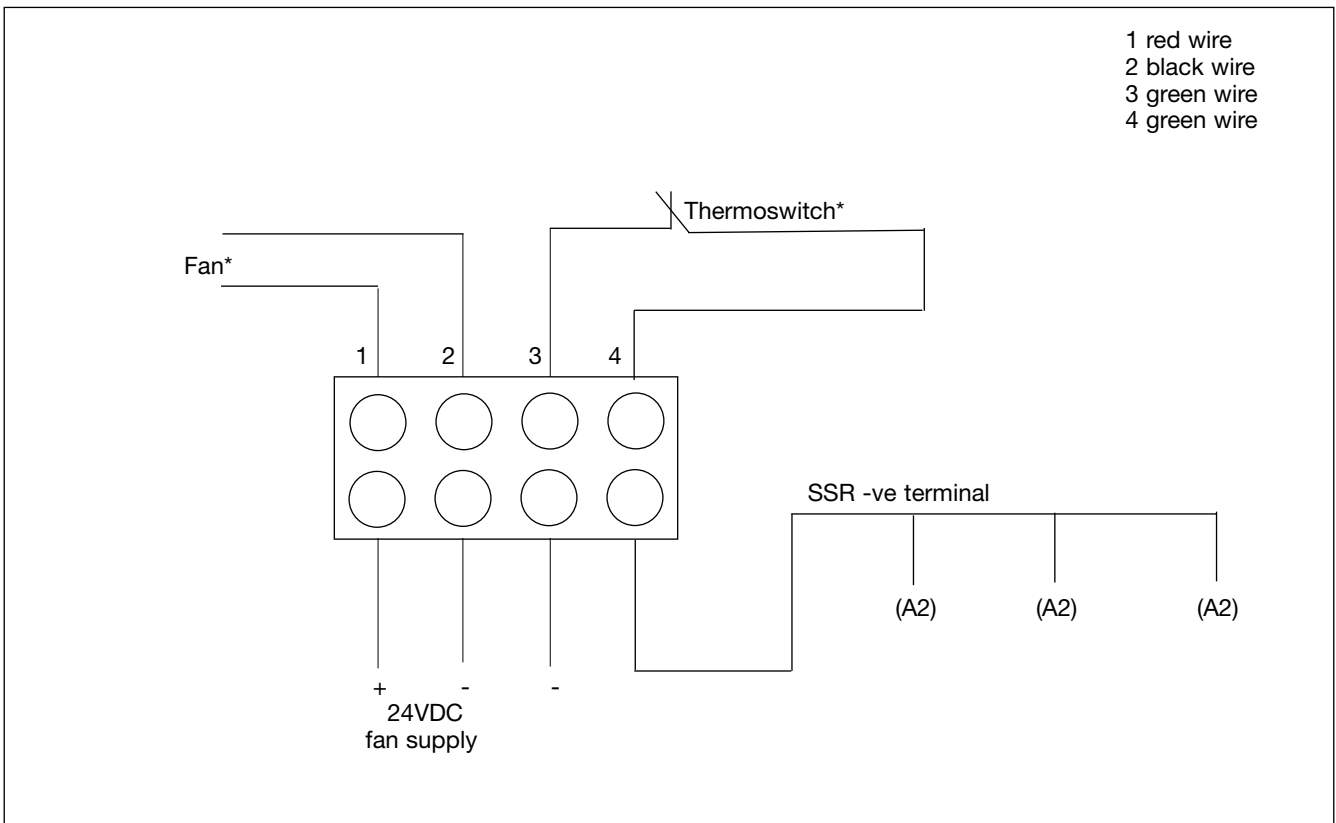
Number of positions	4
Conductor cross section	min. 0.2mm ² (AWG24)
Solid / Stranded	max. 2.5mm ² (AWG12)
Conductor cross section	min. 0.25mm ²
Stranded with ferrule	max. 2.5mm ²
2 conductors with same cross section, stranded	min. 0.5mm ²
TWIN ferrules with plastic sleeve	max. 1.5mm ²

Installation



Illustrations are for example only

Connection Diagram



*Fan and thermoswitch are assembled by manufacturer

Recommended Maximum Current Rating (per SSR)

Notes:

- The below recommendations are only valid when the assembly (SSR + heatsink) is mounted as shown in the mounting instructions unless otherwise indicated.
- The indicated ratings are applicable to one SSR, one pole. Please refer to the online selector tool at www.productselection.net for different load currents, surrounding temperatures or multiple units on one heatsink.
- These recommendations are applicable only with the indicated Carlo Gavazzi thermal interface material between SSR and heatsink. In case a different thermal interface is utilised these recommendation may no longer be valid.

Thermal interface = Thermal compound, **HTS02S**

Thermal interface = Thermal pad, **RGHT**

1x 1-phase SSR	Surrounding temperature						
	°C	20	30	40	50	60	70
	°F	68	86	104	122	140	158
RGS1..E	25	25	25	25	25	25	25
	50	50	50	50	50	50	50
	51	50	50	50	50	50	50
	75	75	75	75	75	75	75
	90 91 92	90	90	90	90	90	84.5
RGS1..U	20	20	20	20	20	20	20
	30	30	30	30	30	30	30
RGS1S..E	20	23	23	23	23	23	23
	30	30	30	30	30	30	30
	31	30	30	30	30	30	30
	92	90	90	90	90	90	84.5
RGS1D..	15	15	15	15	15	15	15
	25	25	25	25	25	25	25

1x 1-phase SSR	Surrounding temperature						
	°C	20	30	40	50	60	70
	°F	68	86	104	122	140	158
RGS1..E	25	25	25	25	25	25	25
	50	50	50	50	50	48	41.5
	51	50	50	50	50	47	40.5
	75	75	75	70	62.5	55	47.5
	90 91 92	85.5	82	74.5	67	59	50.5
RGS1..U	20	20	20	20	20	20	20
	30	30	30	30	30	30	30
RGS1S..E	20	23	23	23	23	23	23
	30	30	30	30	30	30	30
	31	30	30	30	30	30	30
	92	85.5	82	74.5	67	59	50.5
RGS1D..	15	15	15	15	15	15	15
	25	25	25	25	25	23	20

* per pole

Accessories

Thermal Pads



- Ordering key: **RGHT**
- Packing qty. 10 pcs.
- Suitable for RG SSRs
- Dimensions: 14 x 35mm

Thermal Compound



- Ordering key: **HTS02S**
- 2ml syringe of silicone based thermal compound

Screw Kits



- Ordering key: **SRWKITM5X30MM**
- M5x30mm Torx T20 screws + washers
- Packing qty. 20pcs.
- Suitable for RG SSRs