

Solid State Relays Accessories, Heatsinks Types RHS301F...C

CARLO GAVAZZI



- 0.28 °C/W thermal resistance
- Suitable for mounting of 1-phase or 3-phase SSRs
- Integrated fan (115VAC or 230VAC)
- Din rail mounting
- Dimensions W x H x D: 124 x 146 x 122 mm
- RoHS compliant

Product Description

Heatsink assembly, including fan, suitable for mounting of maximum 2x 1-phase solid state relay (SSR) or 1x 3-phase SSR.

Suffix H10 or H12 (for 115VAC or 230VAC fans respectively) added to SSR part no. refers to factory mounted heatsink. Conditions apply. Please ask your Sales representative for further details.

Ordering Key

RHS301FxxxC

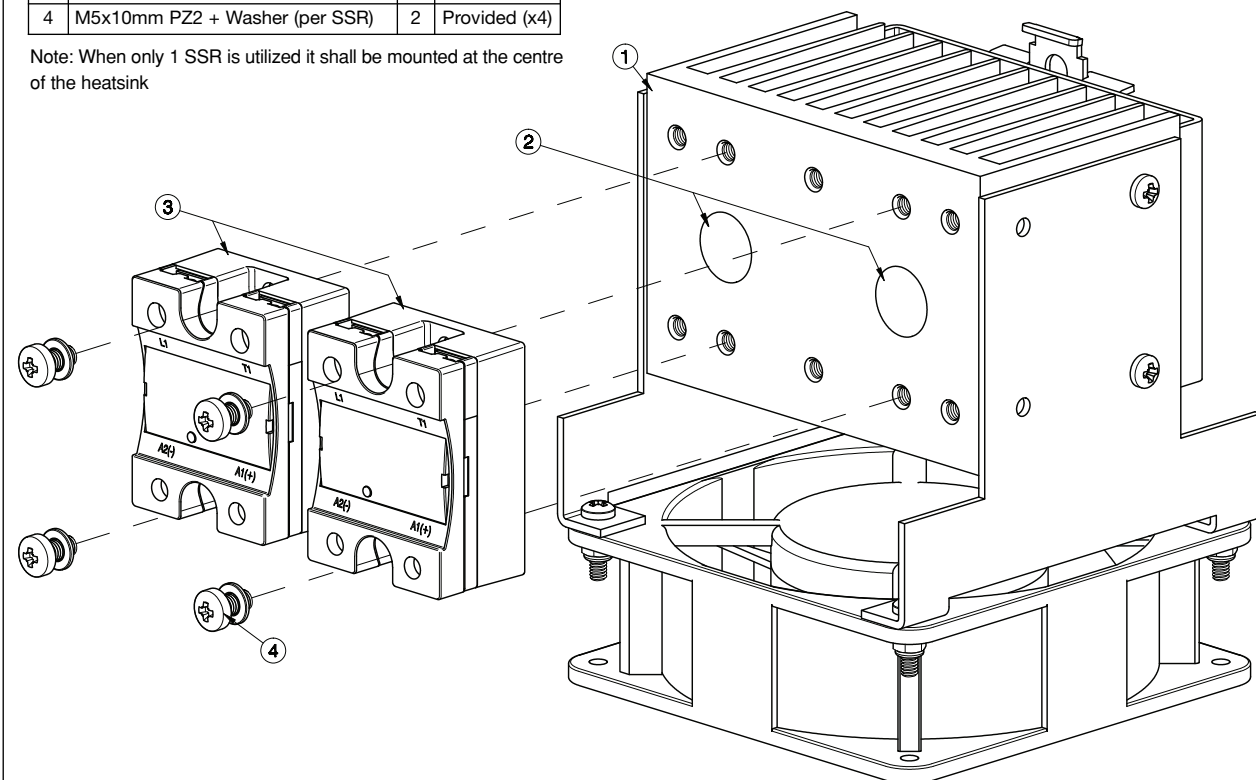
where
xxx = 115 for 115VAC fan
xxx = 230 for 230VAC fan

Heatsink Assembly

Components for assembly	Qty	RHS301F...C
1 RHS301 Heatsink Assembly	1	Provided
2 Thermal Compound HTS02S	1	Provided
3 1-phase SSR 45x59mm (max.)	2	Not Provided
4 M5x10mm PZ2 + Washer (per SSR)	2	Provided (x4)

Note: When only 1 SSR is utilized it shall be mounted at the centre of the heatsink

Dimensions including SSR



Heatsink Assembly

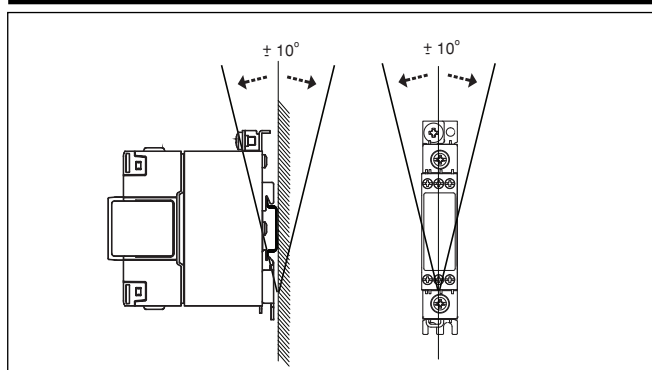
Components for assembly	Qty	RHS301F...C
1 RHS301F Heatsink Assembly	1	Provided
2 Thermal Compound HTS02S	1	Provided
3 3-phase SSR 104x74mm	1	Not Provided
4 M5x10mm PZ2 + Washer (per SSR)	4	Provided (x4)

Dimensions including SSR

General Specifications

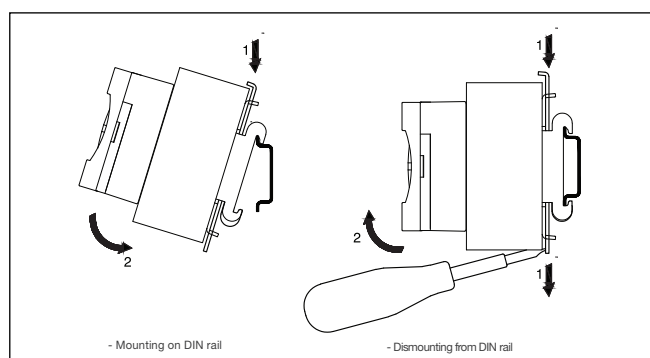
SSR max. mounting torque	1.5Nm (13.3 lb-in)
Weight (excl. SSR)	approx. 1635g
Material	Aluminium
Finish	Black anodization
Fan mounting	Integrated
Fan supply voltage	
RHS301F115C	115VAC, 50/60Hz
RHS301F230C	220 - 240VAC, 50/60Hz
Power consumption	
RHS301F115C	20/18 Watts
RHS301F230C	20/19 Watts

Mounting Position



Illustrations are for example only

Installation





Recommended Maximum Current Rating (per SSR)

Notes:

- The below recommendations are only valid when the assembly (SSR + heatsink) is mounted as shown in the mounting instructions unless otherwise indicated.
- The indicated ratings are applicable to one SSR, one pole. Please refer to the online selector tool at www.productselection.net for different load currents, surrounding temperatures or multiple units on one heatsink.
- These recommendations are applicable only with the indicated Carlo Gavazzi thermal interface material between SSR and heatsink. In case a different thermal interface is utilised these recommendation may no longer be valid.

Thermal interface = Thermal compound, **HTS02S**

Thermal interface = Thermal pad, **KK071CUT**

1x 1-phase SSR	Surrounding temperature						
	°C	20	30	40	50	60	70
	°F	68	86	104	122	140	158
RD..	1	1	1	1	1	1	1
	5	5	5	5	5	5	5
RA..L RA..T	10	10	10	10	10	10	10
	25	25	25	25	25	23	19
RA..	25	25	25	25	25	25	20.5
	50	48	45.5	40	34.5	28.5	22.5
	90	90	90	81	70	58.5	46.5
	110	110	107.5	95	82	68	54
RA60..	50	50	50	50	46.0	38.5	31
RA2A..*	25	25	25	25	25	25	25
	40	40	40	40	40	35.5	30.5
	25M	25	25	25	25	25	25
	40M	40	40	40	40	36.5	31.5
RS1A..	10	10	10	10	10	10	7.5
	25	25	25	25	25	25	25
	40	40	40	40	40	40	40
RS1A..E	25	25	25	25	22.5	19	16
	40	39	36.5	32.5	28.5	24.5	20
RM1A.. RM1B.. RM1C..	25	25	25	25	25	25	25
	50	50	50	50	50	50	48.5
	75	75	75	75	73	61.5	49
	100	100	100	100	100	93.5	76.5
RM1A60.. RM1B60.. RM1C60.. RM1E60..	50	50	50	50	50	47.5	41
RAM1A.. RAM1B.. RM1E..	25	25	25	25	25	25	25
	50	50	50	50	50	50	48.5
	75	75	75	75	73	61.5	49
	100	100	95	84.5	73	61.5	49
	125	125	125	120	107	93.5	76.5

1x 1-phase SSR	Surrounding temperature						
	°C	20	30	40	50	60	70
	°F	68	86	104	122	140	158
RD..	1	1	1	1	1	1	1
	5	5	5	5	5	5	5
RA..L RA..T	10	10	10	10	10	10	10
	25	25	25	25	23	19.5	16.5
RA..	25	25	25	25	25	23	18
	50	42.5	40	35.5	30	25	19.5
	90	71.5	68	60	51.5	43	34
	110	82.5	77.5	68	58.5	48.5	38
RA60..	50	50	50	44	38.5	32	25.5
RA2A..*	25	25	25	25	25	25	23
	40	40	40	38.5	34.5	30	25.5
	25M	25	25	25	25	25	23
	40M	40	40	39.5	35.5	31	26.5
RS1A..	10	10	10	10	10	9	7
	25	25	25	25	25	25	25
	40	40	40	40	40	40	33.5
RS1A..E	25	25	25	22	19.5	16.5	13.5
	40	32.0	36.5	32.5	28.5	24.5	20
RM1A.. RM1B.. RM1C..	25	25	25	25	25	25	25
	50	50	50	50	50	44.5	33.5
	75	73	69.5	61	53	44	35
	100	98.5	94	84	70.5	56.5	42
RM1A60.. RM1B60.. RM1C60.. RM1E60..	50	50	50	50	45	39.5	34
RAM1A.. RAM1B.. RM1E..	25	25	25	25	25	25	25
	50	50	50	50	50	44.5	33.5
	75	73	69.5	61	53	44	35
	100	73	69.5	61	53	44	35
	125	98.5	94	84	70.5	56.5	42

* per pole

Thermal interface = Thermal compound, **HTS02S**

Thermal interface = Thermal pad, **RZHT**

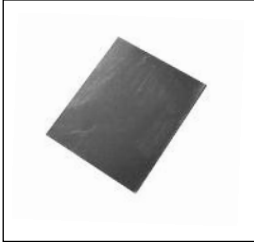
Ratings per pole

1x 3-phase SSR	Surrounding temperature						
	°C	20	30	40	50	60	70
	°F	68	86	104	122	140	158
RZ3A..	25	25	25	25	25	24.5	20
	55	50	50	46	41	36.0	31
	75	72.5	69.5	63.5	57.5	51	43

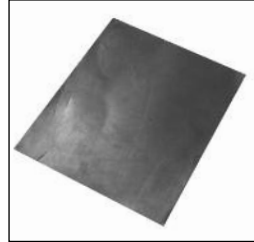
1x 3-phase SSR	Surrounding temperature						
	°C	20	30	40	50	60	70
	°F	68	86	104	122	140	158
RZ3A..	25	25	25	25	24	20	16.5
	55	43.5	41.5	38	34	29.5	25.5
	75	63.5	61	55.5	50	44.5	38.5

Accessories

Thermal Pads



- Ordering key: **KK071CUT**
- Packing qty. 50 pcs.
- Suitable for 1-phase SSRs
- Dimensions: 35 x 43mm



- Ordering key: **RZHT**
- Packing qty. 10 pcs.
- Suitable for 3-phase SSRs
- Dimensions: 70 x 77mm

Thermal Compound



- Ordering key: **HTS02S**
- 2ml syringe of silicone based thermal compound

Fans



- Ordering key: **RHS301F115**
- Fan 120x120mm w. bracket, 115VAC
- Ordering key: **RHS301F230**
- Fan 120x120mm w. bracket, 230VAC

Screw Kits



- Ordering key: **SRWKITM5X10MM**
- M5x10mm PZ2 screws + washers
- Packing qty. 20pcs.