

# Solid State Relays Accessories, Heatsinks Type RHS540F40-24

CARLO GAVAZZI



- 0.65 °C/W thermal resistance
- Suitable for mounting of 3x 1-phase SSRs
- DIN rail mounting
- Suitable for panel mounting
- Dimensions W x H x D: 54 x 135 x 51 mm
- RoHS compliant

## Product Description

Heatsink assembly, including fan, suitable for mounting of maximum 3x 1-phase solid state relays (SSRs).

Suffix H67 added to SSR part no. refers to factory mounted heatsink. Conditions apply. Please ask your Sales representative for further details.

## Ordering Key

**RHS540F40-24**

## Thermal Resistance

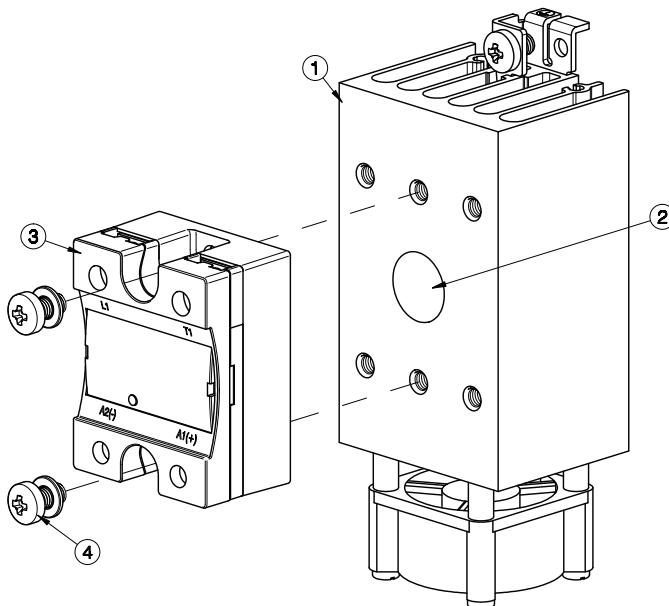
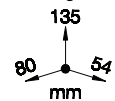
RthSA with fan continuously ON

0.65 °C/W

## Heatsink Assembly

Components for assembly	Qty	RHS540F..
1 RHS540F Heatsink Assembly	1	Provided
2 Thermal Compound HTS02S	1	Provided
3 1-phase SSR 45x59mm	1	Not Provided
4 M5x10mm PZ2 + Washer	2	Provided

Dimensions including the SSR

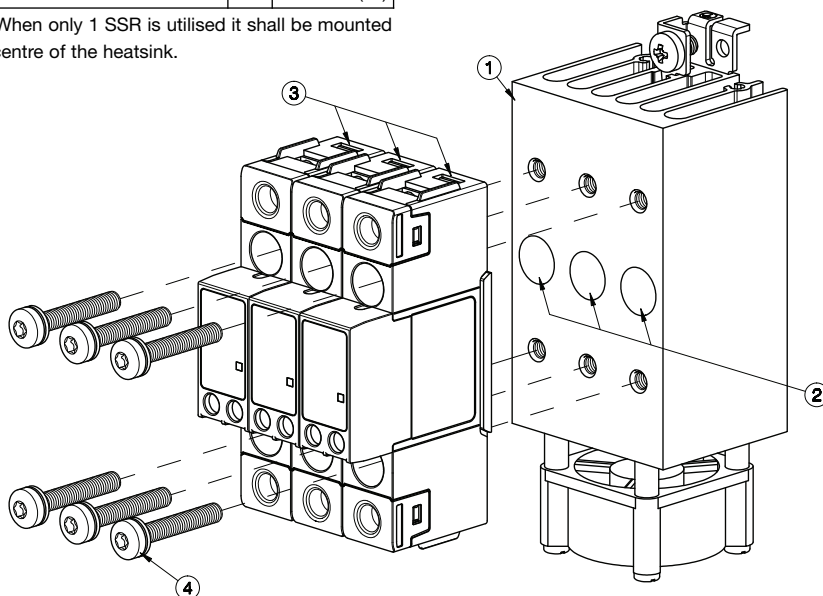
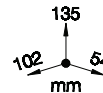


# Heatsink Assembly

Components for assembly	Qty	RHS540F..
1 RHS540F Heatsink Assembly	1	Provided
2 Thermal Compound HTS02S	1	Provided
3 RGS1 SSR 18x90mm (max.)	3	Not Provided
4 M5x30mm Torx T20 + Washer (per SSR)	2	Provided (x6)

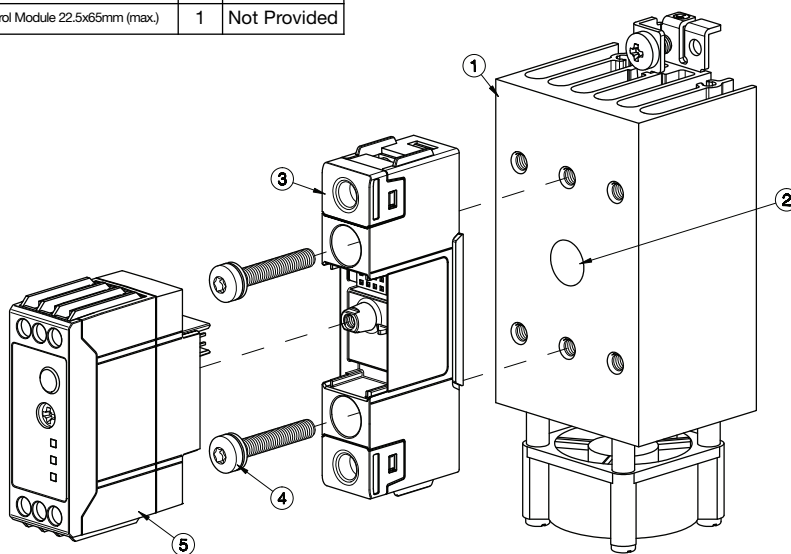
Note: When only 1 SSR is utilised it shall be mounted at the centre of the heatsink.

Dimensions including the SSR



Components for assembly	Qty	RHS540F..
1 RHS540F Heatsink Assembly	1	Provided
2 Thermal Compound HTS02S	1	Provided
3 RGS1 Power Module 18x90mm (max.)	1	Not Provided
4 M5x30mm Torx T20 + Washer (per SSR)	2	Provided (x6)
5 RGS1S Control Module 22.5x65mm (max.)	1	Not Provided

Dimensions including SSR

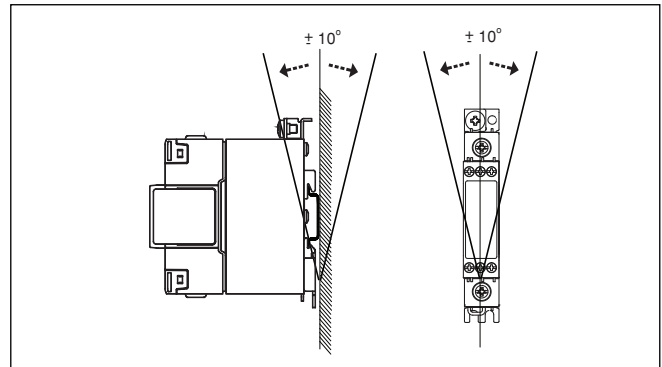


## General Specifications

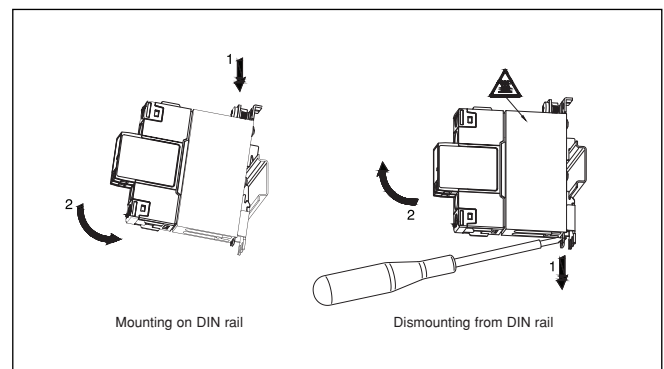
SSR max. mounting torque	1.5Nm (13.3 lb-in)
PE screw*	M5, max. 1.5Nm (13.3 lb-in)
Weight (excl. SSR)	approx. 430g
Material	Aluminium
Finish	Black anodization
Fan mounting	Integrated
Fan supply voltage	24VDC
Power consumption	max. 0.92 Watts

\* Not provided with assembly

## Mounting Position



## Installation



Illustrations are for example only



## Recommended Maximum Current Rating (per SSR)

Notes:

- The below recommendations are only valid when the assembly (SSR + heatsink) is mounted as shown in the mounting instructions unless otherwise indicated.
- The indicated ratings are applicable to one SSR, one pole. Please refer to the online selector tool at [www.productselection.net](http://www.productselection.net) for different load currents, surrounding temperatures or multiple units on one heatsink.
- These recommendations are applicable only with the indicated Carlo Gavazzi thermal interface material between SSR and heatsink. In case a different thermal interface is utilised these recommendation may no longer be valid.

Thermal interface = Thermal compound, **HTS02S**

Thermal interface = Thermal pad **KK071CUT** for 1-phase SSRs,  
**RGHT** for RG SSRs

1x 1-phase SSR	Surrounding temperature						
	°C	20	30	40	50	60	70
	°F	68	86	104	122	140	158
RD..	1	1	1	1	1	1	1
	5	5	5	5	5	5	5
RA..L	10	10	10	10	10	10	10
RA..T	25	25	25	25	23.5	20.5	17
RA..	25	25	25	25	25	22.5	18
	50	50	50	44.5	38.5	32	25
	90	73	69	61	52.5	44	34.5
	110	84	79	69.5	59.5	49.5	39
RA60..	50	50	49.5	44	38	32	25.5
RA2A..*	25	25	25	25	25	24.5	21
	40	40	39	35	31.5	27.5	23.5
	25M	25	25	25	25	24.5	21
	40M	40	40	36	32	28	23.5
RS1A..	10	10	10	10	10	9	7
	25	25	25	25	25	25	25
	40	40	40	40	40	40	33
RS1A..E	25	25	25	22.5	19.5	17	14
	40	33	31.5	27.5	24	20.5	17
RM1A.. RM1B.. RM1C..	25	25	25	25	25	25	25
	50	50	50	50	50	43.5	33
	75	75	75	75	66	53.5	40
	100	100	96	86.5	73	58.5	43.5
RM1A60.. RM1B60.. RM1C60.. RM1E60..	50	50	50	50	45	39.5	33
RAM1A.. RAM1B.. RM1E..	25	25	25	25	25	25	25
	50	50	50	50	50	43.5	33
	75	75	75	75	66	53.5	40
	100	86.5	82.5	75	66	53.5	40
	125	100.5	96	86.5	73	58.5	43.5
RGS1..E	25	25	25	25	25	25	25
	50	50	50	50	50	50	43
	51	50	50	50	50	48.5	42.5
	75	75	75	71	63.5	56	48
	90	87	83	75.5	68	60	51.5
	91						
92							
RGS1..U	20	20	20	20	20	20	20
	30	30	30	30	30	30	30
RGS1S..E	20	23	23	23	23	23	23
	30	30	30	30	30	30	30
	31	30	30	30	30	30	30
	92	87	83	75.5	68	60	51.5
RGS1S..U	61	65	65	65	65	60	51.5
RGS1D..	15	15	15	15	15	15	15
	25	25	25	25	25	25	23.5

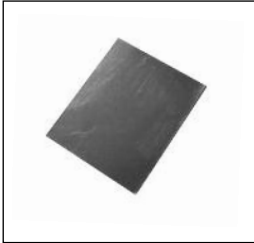
\* per pole

1x 1-phase SSR	Surrounding temperature						
	°C	20	30	40	50	60	70
	°F	68	86	104	122	140	158
RD..	1	1	1	1	1	1	1
	5	5	5	5	5	5	5
RA..L	10	10	10	10	10	10	10
RA..T	25	25	25	23.5	20.5	18	14.5
RA..	25	25	25	25	24.5	20.5	16
	50	46.5	44	38.5	33	27.5	21.5
	90	59.5	56	49.5	42.5	35	27.5
	110	67	63	55	47	39	30.5
RA60..	50	45.5	43	38	33	27.5	22
RA2A..*	25	25	25	25	25	22	19
	40	36.5	34.5	31.5	28	24.5	21
	25M	25	25	25	25	22	19
	40M	37	35.5	32	28.5	25	21
RS1A..	10	10	10	10	10	8.5	6.5
	25	25	25	25	25	25	25
	40	40	40	40	40	33.5	25
RS1A..E	25	23.5	22.5	20	17.5	15	12
	40	28	26.5	23.5	20.5	17.5	14.5
RM1A.. RM1B.. RM1C..	25	25	25	25	25	25	25
	50	50	50	48.5	41.5	33.5	25
	75	69.5	65	56.5	47.5	38.5	28.5
	100	77	72	62	52	41.5	30.5
RM1A60.. RM1B60.. RM1C60.. RM1E60..	50	50	48	43.5	39	33.5	25.5
RAM1A.. RAM1B.. RM1E..	25	25	25	25	25	25	23
	50	50	50	48.5	41.5	33.5	25
	75	69.5	65	56.5	47.5	38.5	28.5
	100	69.5	65	56.5	47.5	38.5	28.5
	125	77	72	62	52	41.5	30.5
RGS1..E	25	25	25	25	25	25	25
	50	50	50	47	42	37	31.5
	51	50	50	46	41.5	36.5	31.5
	75	61.5	58.5	53	47.5	41.5	35.5
	90	65	62	56.5	50.5	44	38
	91						
92							
RGS1..U	20	20	20	20	20	20	20
	30	30	30	30	30	30	30
RGS1S..E	20	23	23	23	23	23	23
	30	30	30	30	30	30	30
	31	30	30	30	30	30	30
	92	65	62	56.5	50.5	44	38
RGS1S..U	61	65	62	56.5	50.5	44	38
RGS1D..	15	15	15	15	15	15	15
	25	25	25	24	22	19	17

## Accessories

---

### Thermal Pads



- Ordering key: **KK071CUT**
- Packing qty. 50 pcs.
- Suitable for 1-phase SSRs
- Dimensions: 35 x 43mm



- Ordering key: **RGHT**
- Packing qty. 10 pcs.
- Suitable for RG SSRs
- Dimensions: 14 x 35mm

### Thermal Compound



- Ordering key: **HTS02S**
- 2ml syringe of silicone based thermal compound

### Fans



- Ordering key: **RHSF40-24**
- Fan 40x40mm, 24VDC

### Screw Kits



- Ordering key: **SRWKITM5X10MM**
- M5x10mm PZ2 screws + washers
- Packing qty. 20pcs.
- Suitable for 1-phase SSRs



- Ordering key: **SRWKITM5X30MM**
- M5x30mm Torx T20 screws + washers
- Packing qty. 20pcs.
- Suitable for RG SSRs