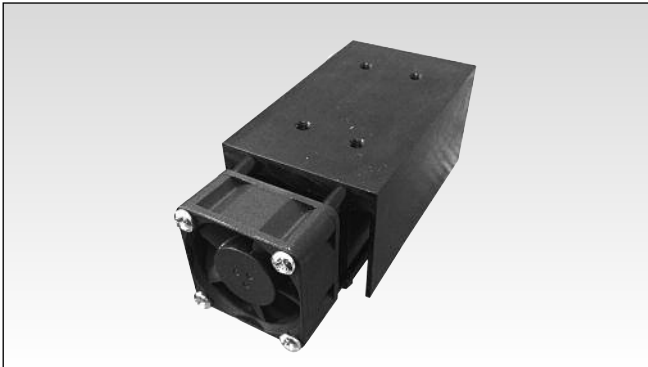


# Solid State Relays Accessories, Heatsinks Type RHS542F40-24

CARLO GAVAZZI



- 0.65 °C/W thermal resistance
- Suitable for mounting of 2x 1-phase SSRs
- DIN rail mounting
- Suitable for panel mounting
- Dimensions W x H x D: 54 x 135 x 51 mm
- RoHS compliant

## Product Description

Heatsink assembly, including fan, suitable for mounting of maximum 2x 1-phase solid state relays (SSRs).

Suffix H68 added to SSR part no. refers to factory mounted heatsink. Conditions apply. Please ask your Sales representative for further details.

## Ordering Key

**RHS542F40-24**

## Thermal Resistance

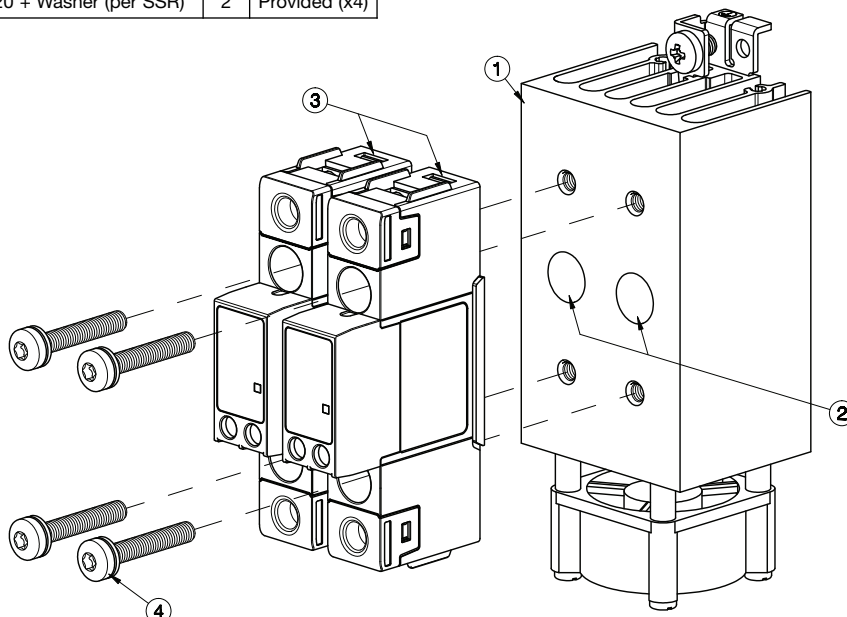
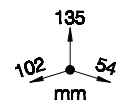
RthSA with fan continuously ON

0.65 °C/W

## Heatsink Assembly

Components for assembly	Qty	RHS542F..
1 RHS542F Heatsink Assembly	1	Provided
2 Thermal Compound HTS02S	1	Provided
3 RGS1 SSR 18x90mm (max.)	1	Not Provided
4 M5x30mm Torx T20 + Washer (per SSR)	2	Provided (x4)

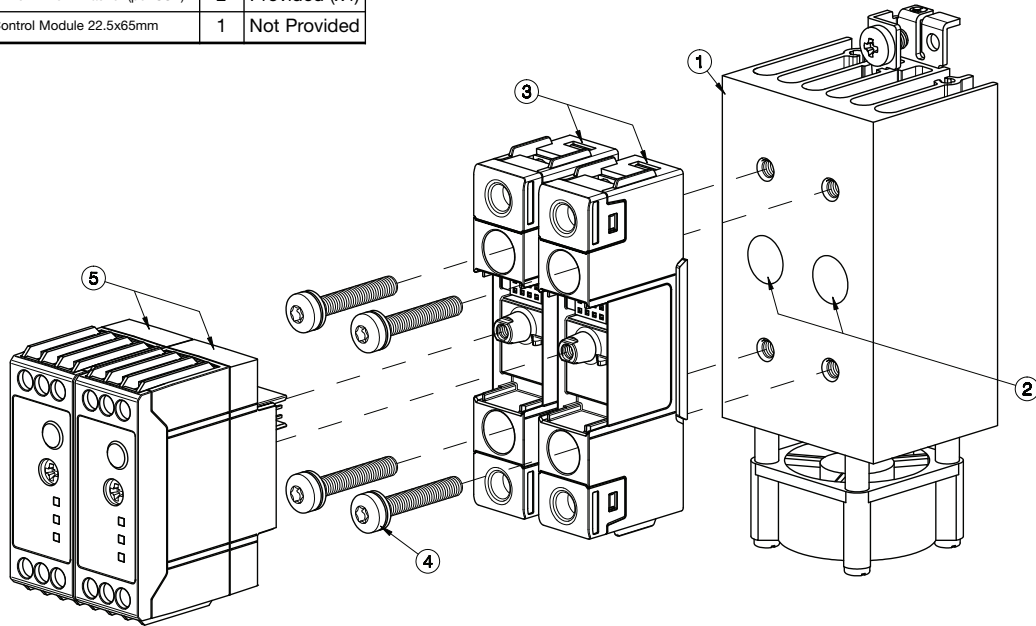
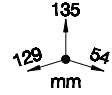
Dimensions including the SSR



# Heatsink Assembly

Components for assembly	Qty	RHS542F..
1 RHS542F Heatsink Assembly	1	Provided
2 Thermal Compound HTS02S	1	Provided
3 RGS1 Power Module 18x90mm	1	Not Provided
4 M5x30mm Torx T20 + Washer (per SSR)	2	Provided (x4)
5 RGS1S Control Module 22.5x65mm	1	Not Provided

Dimensions including the SSR

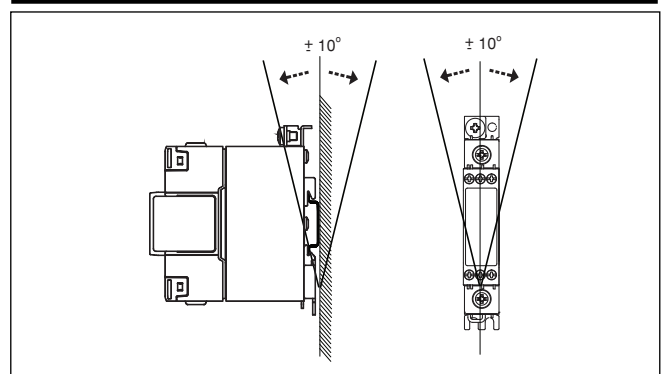


## General Specifications

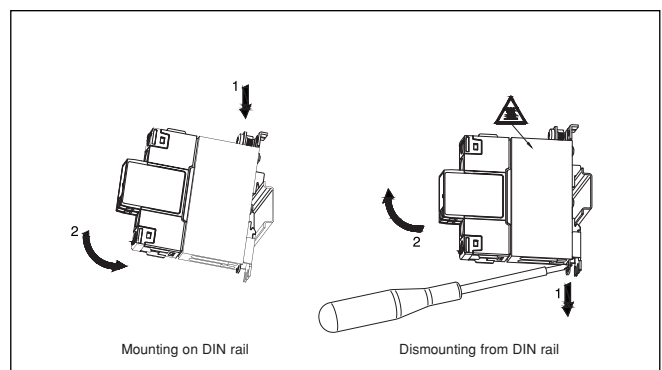
SSR max. mounting torque	1.5Nm (13.3 lb-in)
PE screw*	M5, max. 1.5Nm (13.3 lb-in)
Weight (excl. SSR)	approx. 430g
Material	Aluminium
Finish	Black anodization
Fan mounting	Integrated
Fan supply voltage	24VDC
Power consumption	max. 0.92 Watts

\* Not provided with assembly

## Mounting Position



## Installation



Illustrations are for example only

## Recommended Maximum Current Rating (per SSR)

Notes:

- The below recommendations are only valid when the assembly (SSR + heatsink) is mounted as shown in the mounting instructions unless otherwise indicated.
- The indicated ratings are applicable to one SSR, one pole. Please refer to the online selector tool at [www.productselection.net](http://www.productselection.net) for different load currents, surrounding temperatures or multiple units on one heatsink.
- These recommendations are applicable only with the indicated Carlo Gavazzi thermal interface material between SSR and heatsink. In case a different thermal interface is utilised these recommendation may no longer be valid.

Thermal interface = Thermal compound, **HTS02S**

Thermal interface = Thermal pad, **RGHT**

2x 1-phase SSR	Surrounding temperature						
	°C	20	30	40	50	60	70
	°F	68	86	104	122	140	158
RGS1..E	25	25	25	25	25	25	25
	50	50	50	46	41	36	31
	51	50	49.5	45	40.5	36	31
	75	59	56.5	51	45.5	40	34
	90 91 92	62.5	59.5	54	48.5	42.5	36
RGS1..U	20	20	20	20	20	20	20
	30	30	30	30	30	30	30
RGS1S..E	20	23	23	23	23	23	23
	30	30	30	30	30	30	30
	31	30	30	30	30	30	30
	92	62.5	59.5	54	48.5	42.5	36
RGS1D..	15	15	15	15	15	15	15
	25	25	25	25	23	20.5	18

2x 1-phase SSR	Surrounding temperature						
	°C	20	30	40	50	60	70
	°F	68	86	104	122	140	158
RGS1..E	25	25	25	25	25	25	21.5
	50	43.5	41.5	37.5	33.5	29.5	25
	51	42.5	41	37	33.5	29.5	25
	75	49	46.5	42	37.5	32.5	28
	90 91 92	51.5	49.5	44.5	39.5	34.5	29.5
RGS1..U	20	20	20	20	20	20	20
	30	30	30	30	30	29.5	25
RGS1S..E	20	23	23	23	23	23	23
	30	30	30	30	30	29.5	25
	31	30	30	30	30	30	29.5
	92	51.5	49.5	44.5	39.5	34.5	29.5
RGS1D..	15	15	15	15	15	15	13.5
	25	22.5	21.5	20	18	16	13.5

\* per pole

## Accessories

### Thermal Pads



- Ordering key: **RGHT**
- Packing qty. 10 pcs.
- Suitable for RG SSRs
- Dimensions: 14 x 35mm

### Thermal Compound



- Ordering key: **HTS02S**
- 2ml syringe of silicone based thermal compound

### Fans



- Ordering key: **RHSF40-24**
- Fan 40x40mm, 24VDC

### Screws



- Ordering key: **SRWKITM5X30MM**
- M5x30mm Torx T20 screws + washers
- Packing qty. 20pcs.
- Suitable for RG SSRs