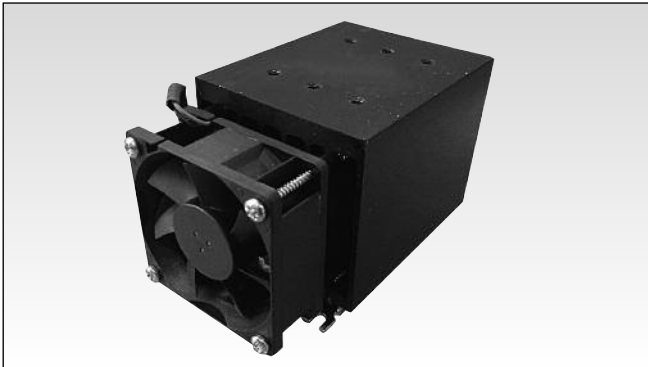


# Solid State Relays Accessories, Heatsinks Types RHS703F60-xx

CARLO GAVAZZI



- 0.37 °C/W thermal resistance
- Suitable for mounting of 1-phase SSRs
- DIN rail mounting
- Suitable for panel mounting
- Dimensions W x H x D: 72 x 141 x 75 mm
- RoHS compliant

## Product Description

Heatsink assembly, including fan, suitable for mounting of maximum 3x 1-phase solid state relays (SSRs).

Suffix H76 or H77 (for 24VDC or 240VAC fans respectively) added to SSR part no. refers to factory mounted heatsink. Conditions apply. Please ask your Sales representative for further details.

## Ordering Key

**RHS703F60-xx**

where  
xx = **24** for 24VDC fan  
xxx = **230** for 240VAC fan

## Thermal Resistance

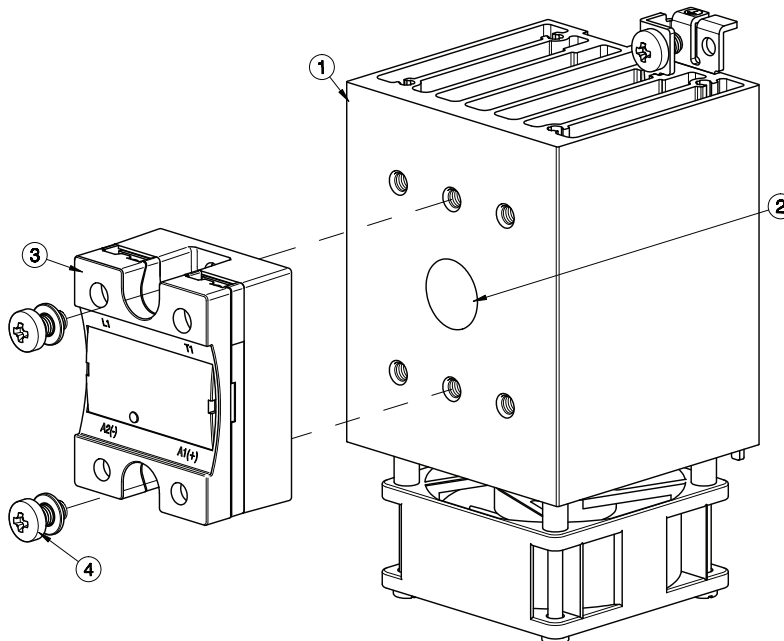
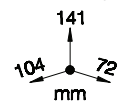
RthSA with fan continuously ON

0.37 °C/W

## Heatsink Assembly

Components for assembly	Qty	RHS703F
1 RHS703F Heatsink Assembly	1	Provided
2 Thermal Compound HTS02S	1	Provided
3 1-phase SSR 45x59mm	1	Not Provided
4 M5x10mm PZ2 + Washer	2	Provided

Dimensions including the SSR



# Heatsink Assembly

Components for assembly		Qty	RHS703F
1	RHS703F Heatsink Assembly	1	Provided
2	Thermal Compound HTS02S	1	Provided
3	RGS1 SSR 18x90mm (max.)	3	Not Provided
4	M5x30mm Torx T20 + Washer (per SSR)	2	Provided (x6)

Dimensions including the SSR

Components for assembly		Qty	RHS703F
1	RHS703 Heatsink Assembly	1	Provided
2	Thermal Compound HTS02S	1	Provided
3	RGS1 Power Module 18x90mm (max.)	2	Not Provided
4	M5x30mm Torx T20 + Washer (per SSR)	2	Provided (x6)
5	RGS1S Control Module 22.5x65mm (max.)	2	Not Provided

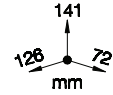
Note: When only 1 SSR is utilised it shall be mounted at the centre of the heatsink.

Dimensions including the SSR

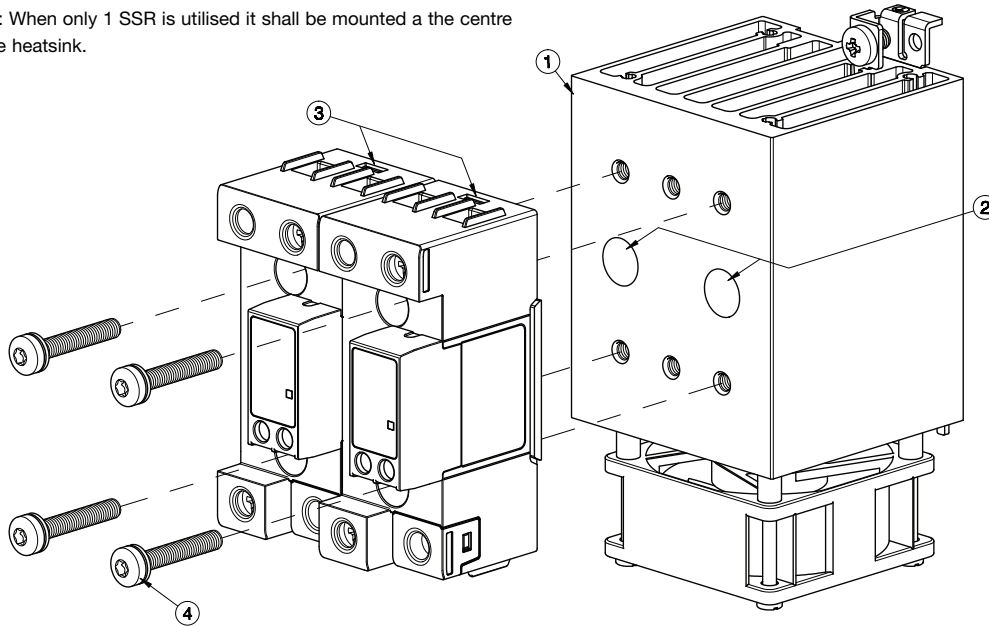
# Heatsink Assembly

Components for assembly	Qty	RHS703F
1 RHS703F Heatsink Assembly	1	Provided
2 Thermal Compound HTS02S	1	Provided
3 RGS1 or RGS1S SSR 36x90mm (max.)	2	Not Provided
4 M5x30mm Torx T20 + Washer (per SSR)	2	Provided (x6)

Dimensions including the SSR



Note: When only 1 SSR is utilised it shall be mounted at the centre of the heatsink.

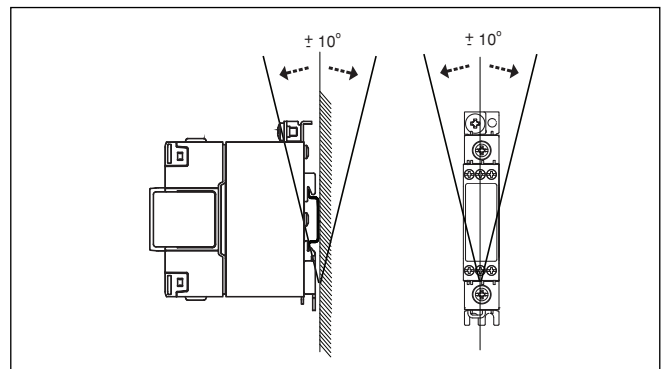


## General Specifications

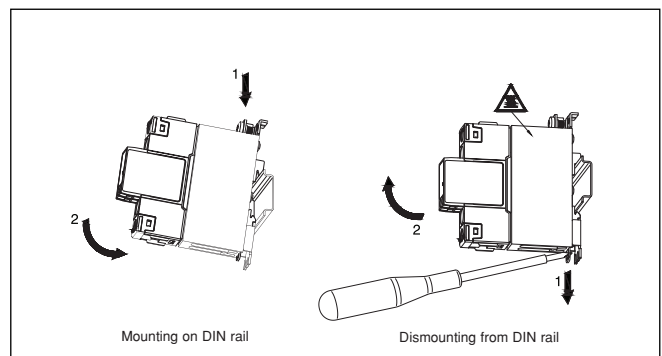
SSR max. mounting torque	1.5Nm (13.3 lb-in)
PE screw*	M5, max. 1.5Nm (13.3 lb-in)
Weight (excl. SSR)	approx. 710g
Material	Aluminium
Finish	Black anodization
Fan mounting	Integrated
Fan supply voltage	
RHS703F60-24	24VDC
RHS703F60-230	220 - 240VAC, 50/60Hz
Power consumption	
RHS703F60-24	1.8 Watts
RHS703F60-230	4.1/4.4 Watts

\* Not provided with assembly

## Mounting Position



## Installation



Illustrations are for example only



## Recommended Maximum Current Rating (per SSR)

Notes:

- The below recommendations are only valid when the assembly (SSR + heatsink) is mounted as shown in the mounting instructions unless otherwise indicated.
- The indicated ratings are applicable to one SSR, one pole. Please refer to the online selector tool at [www.productselection.net](http://www.productselection.net) for different load currents, surrounding temperatures or multiple units on one heatsink.
- These recommendations are applicable only with the indicated Carlo Gavazzi thermal interface material between SSR and heatsink. In case a different thermal interface is utilised these recommendation may no longer be valid.

Thermal interface = Thermal compound, **HTS02S**

Thermal interface = Thermal pad **KK071CUT** for 1-phase SSRs,  
**RGHT** for RG SSRs

1x 1-phase SSR	Surrounding temperature						
	°C °F	20 68	30 86	40 104	50 122	60 140	70 158
RD..	1	1	1	1	1	1	1
	5	5	5	5	5	5	5
RA..L	10	10	10	10	10	10	10
RA..T	25	25	25	25	25	22.5	18.5
RA..	25	25	25	25	25	25	20
	50	50	50	50	44	37	29
	90	89	84.5	74.5	64.5	54	43
	110	104.5	98.5	87	75	62	49
RA60..	50	50	50	50	43.5	36.5	29.5
RA2A..*	25	25	25	25	25	25	25
	40	40	40	40	37.5	33	28.5
	25M	25	25	25	25	25	25
	40M	40	40	40	39	34	29
RS1A..	10	10	10	10	10	9.5	7.5
	25	25	25	25	25	25	25
	40	40	40	40	40	40	40
RS1A..E	25	25	25	25	21.5	18.5	15.5
	40	37	35	31	27.5	23.5	19.5
RM1A.. RM1B.. RM1C..	25	25	25	25	25	25	25
	50	50	50	50	50	50	45.5
	75	75	75	75	75	72.5	58
	100	100	100	100	97.5	85	64
RM1A60.. RM1B60.. RM1C60.. RM1E60..	50	50	50	50	50	45	39
RAM1A.. RAM1B.. RM1E..	25	25	25	25	25	25	25
	50	50	50	50	50	50	45.5
	75	75	75	75	75	72.5	58
	100	100	100	92.5	82.5	72.5	58
	125	125	120.5	109	97.5	85	64
RGS1..E	25	25	25	25	25	25	25
	50	50	50	50	50	50	50
	51	50	50	50	50	50	50
	75	75	75	75	75	69	59.5
	90 91 92	90	90	90	84.5	74.5	64.5
RGS1..U	20	20	20	20	20	20	20
	30	30	30	30	30	30	30
RGS1S..E	20	23	23	23	23	23	23
	30	30	30	30	30	30	30
	31	30	30	30	30	30	30
	92	90	90	90	84.5	74.5	64.5
RGS1S..U	61	65	65	65	65	65	64.5
RGS1D..	15	15	15	15	15	15	15
	25	25	25	25	25	25	25

\* per pole

1x 1-phase SSR	Surrounding temperature						
	°C °F	20 68	30 86	40 104	50 122	60 140	70 158
RD..	1	1	1	1	1	1	1
	5	5	5	5	5	5	5
RA..L	10	10	10	10	10	10	10
RA..T	25	25	25	25	22.5	19	16
RA..	25	25	25	25	25	22	17.5
	50	50	49	43	37	31	24
	90	68	64.5	57	49	40.5	32
	110	78	73.5	64.5	55	45.5	35.5
RA60..	50	50	48	42.5	37	31	24.5
RA2A..*	25	25	25	25	25	25	22
	40	40	40	36.5	32.5	28.5	24.5
	25M	25	25	25	25	25	22
	40M	40	40	37.5	33.5	29	25
RS1A..	10	10	10	10	10	9	6.5
	25	25	25	25	25	25	25
	40	40	40	40	40	38	31.5
RS1A..E	25	25	24.5	21.5	18.5	16	13
	40	31	29.5	26	22.5	19.5	16
RM1A.. RM1B.. RM1C..	25	25	25	25	25	25	25
	50	50	50	48.5	43.5	38	31.5
	75	75	75	69.5	59	47.5	35.5
	100	93	89	77	65	52	38.5
RM1A60.. RM1B60.. RM1C60.. RM1E60..	50	50	50	48.5	43.5	38	31.5
RAM1A.. RAM1B.. RM1E..	25	25	25	25	25	25	25
	50	50	50	50	49	41	31
	75	75	75	69.5	59	47.5	35.5
	100	80.5	77	69.5	59	47.5	35.5
	125	93	89	77	65	52	38.5
RGS1..E	25	25	25	25	25	25	25
	50	50	50	50	47.5	42	36
	51	50	50	50	46.5	41	35.5
	75	70	67	60.5	54.5	47.5	40.5
	90 91 92	74.5	71	64.5	58	51	43.5
RGS1..U	20	20	20	20	20	20	20
	30	30	30	30	30	30	30
RGS1S..E	20	23	23	23	23	23	23
	30	30	30	30	30	30	30
	31	30	30	30	30	30	30
	92	74.5	71	64.5	58	51	43.5
RGS1S..U	61	65	65	64.5	58	51	43.5
RGS1D..	15	15	15	15	15	15	15
	25	25	25	25	24	21	18

## Accessories

---

### Thermal Pads



- Ordering key: **KK071CUT**
- Packing qty. 50 pcs.
- Suitable for 1-phase SSRs
- Dimensions: 35 x 43mm



- Ordering key: **RGHT**
- Packing qty. 10 pcs.
- Suitable for RG SSRs
- Dimensions: 14 x 35mm

### Thermal Compound



- Ordering key: **HTS02S**
- 2ml syringe of silicone based thermal compound

### Fans



- Ordering key: **RHSF60-24**
- Fan 60x60mm, 24VDC
- Ordering key: **RHSF60-230**
- Fan 60x60mm, 240VAC

### Screw Kits



- Ordering key: **SRWKITM5X10MM**
- M5x10mm PZ2 screws + washers
- Packing qty. 20pcs.
- Suitable for 1-phase SSRs



- Ordering key: **SRWKITM5X30MM**
- M5x30mm Torx T20 screws + washers
- Packing qty. 20pcs.
- Suitable for RG SSRs