

# Safety Magnetic Sensors

## Rectangular safety magnetic sensors

### Type SMS10



- Suitable for applications in safety category 2 in accordance with EN ISO13849-1:2008 when connected to appropriate safety devices
- 1 NO output
- 1 NC auxiliary output (SMS10NC and SMS10NCCM1)
- Cable or M12 pig tail output connection
- Rectangular housing
- Multiple flux coding

## Product Description

The safety magnetic sensors are particularly addressed to the safety gates that allow the entry to machines with dangerous movements. SMS10, when connected to appropriate safety devices, can be in safety category 2 in

accordance with EN ISO13849-1:2008. The model SMS10 has 1 safety output while the SMS10NC and SMS10NCCM1 have 1 NO safety + 1 NC auxiliary output.

## Ordering Key

**SMS 10 NC CM1**

Safety magnetic sensor \_\_\_\_\_  
 Contact code \_\_\_\_\_  
 Other features \_\_\_\_\_  
 Connector \_\_\_\_\_

## Type Selection

Output	Auxiliary output	Operating distance	Item code	Item code (UL)
1 NO	-	20 mm	SMS 10	SMS AP 10 AH 02M
1 NO	1 NC	17 mm	SMS 10 NC	SMS AP AI 02M
1 NO	1 NC	17 mm	SMS 10 NC CM1	-

## Output Specifications

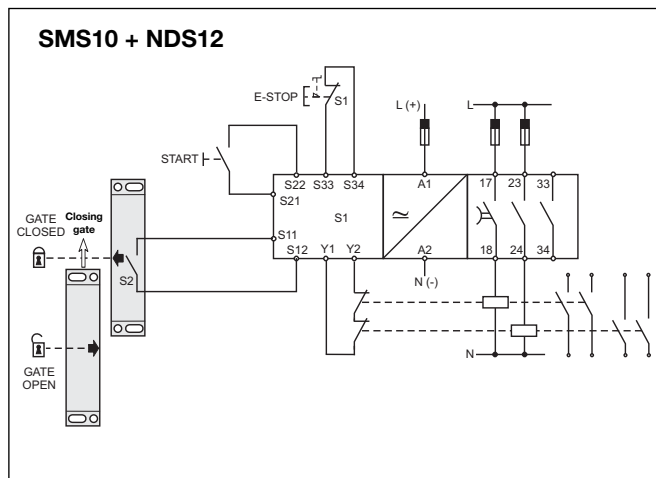
<b>Output</b>	Category 2 (EN ISO13849-1:2008) 1 NO
<b>Auxiliary output</b> SMS10NC, SMS10NCCM1	1 NC
<b>Output connection</b> SMS10, SMS10NC SMS10NCCM1	Cable (PVC, AWG 26, L=2m 2x0.35 mm <sup>2</sup> / 4x0.15 mm <sup>2</sup> ) Cable L=0.3 m ended with a 4 pole M12 connector
<b>Contact ratings</b> Max Switching Voltage Max Switching Current Max Switching Power	100 VAC 0.25 A 5 VA

## General Specifications

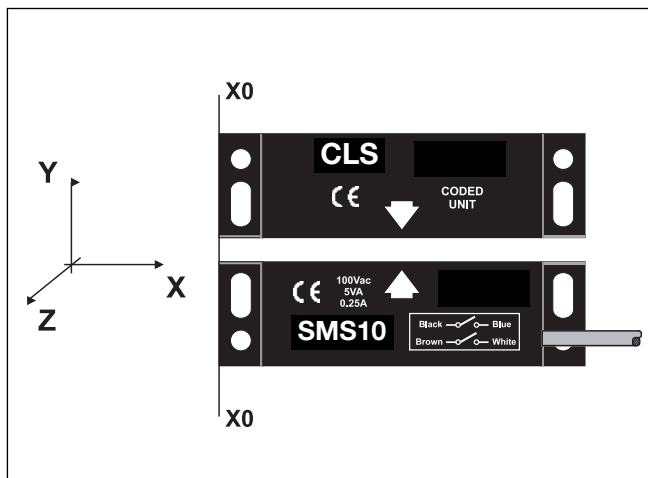
<b>Operating distance ON</b> SMS10 SMS10NC, SMS10NCCM1	20 ± 3 mm 17 ± 5 mm
<b>Release distance OFF</b> SMS10 SMS10NC, SMS10NCCM1	22 ± 3 mm 21 ± 5 mm
<b>Reset distance</b> SMS10 SMS10NC, SMS10NCCM1	22 ± 3 mm 21 ± 5 mm
<b>Suitable magnetic unit</b>	CLS
<b>Misalignment</b>	max± 4 mm
<b>Housing</b> Dimensions Material	88 x 25 x 13 mm Plastic
<b>Weight</b>	Approx. 70 g
<b>Environment</b> Degree of protection Operating temperature Storage temperature	IP 67 -25 ÷ +70 °C -25 ÷ +70 °C



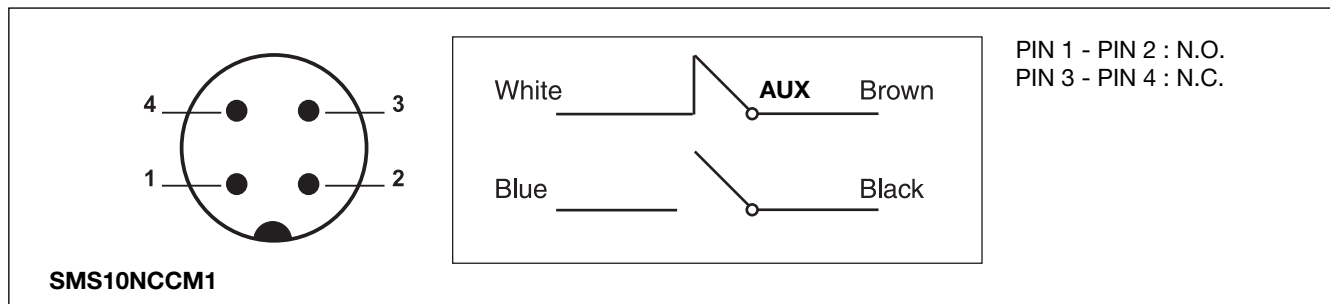
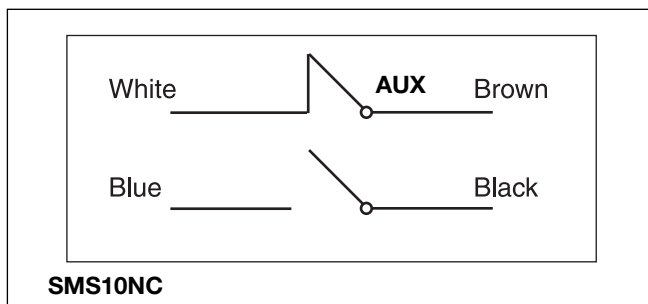
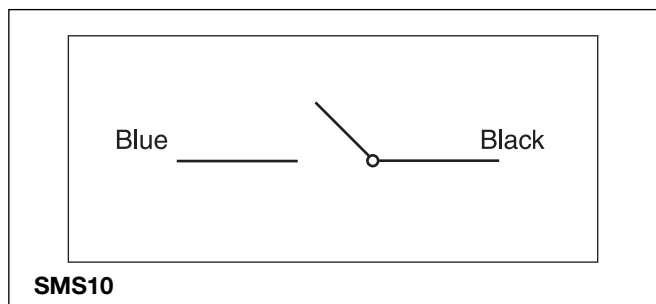
## Application



## Operating directions



## Wiring Diagrams



## Dimensions

