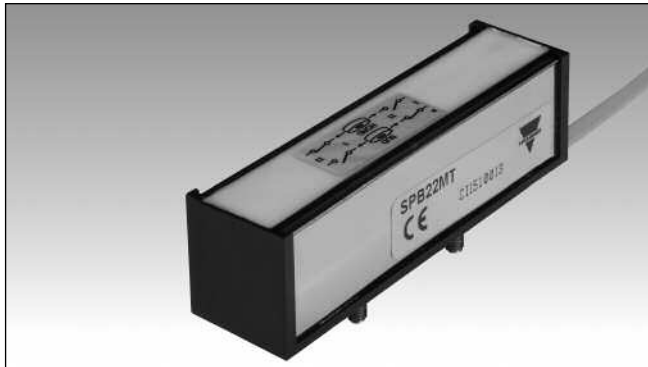


# Proximity Magnetic Sensors Rectangular Housing SPB2 Series

CARLO GAVAZZI



- Block plastic housing
- Bistable output function
- Side shielded
- Easy and fast mounting procedure

## Product Description

The SPB2 and SPB22MT models are shielded laterally in order to reduce magnetic interferences when mounted side by side with other sensors.

The fixing kit delivered with the sensor, includes two nuts and washers. Greatly simplifying the mounting procedure.

## Ordering Key

**SP B 2**

Type \_\_\_\_\_  
 Output function \_\_\_\_\_  
 Reed contact type \_\_\_\_\_

## Type Selection

<u>Housing dimensions</u>	<u>Connection</u>	<u>Output function</u>	<u>Reference</u>
85 x 24 x 25.5	Faston	Bistable	<b>SP B 2</b>
85 x 24 x 25.5	Cable L= 2m	Bistable	<b>SP B 2 2MT</b>

Dimensions are specified in millimeters (mm)

## Output Specifications

<u>Output</u>	Bistable
<b>Contact ratings</b>	
Max Switching Voltage	250 VAC
Max Switching Current	3 A
Max Switching Power	100 VA

## General Specifications

<b>Operating distance</b>	See Operating Distance table
<b>Suitable magnetic unit</b>	See Operating Distance table
<b>Ambient temperature</b> Operating	-25 to +75 °C
<b>Environment</b> Degree of protection SPB2 SPB22MT	IP 65 IP 67
<b>Housing</b> Dimensions Material	85 x 24 x 25.5 mm Plastic
<b>CE-marking</b>	Yes

## Operating Distance

Magnetic Units	CL2	CL3	CL4	CL10	CL11	CL18	CL20S1	CL20S3	CL23	CL31
SPB2, SPB22MT	5*	15*	30*	15**	30**	14**	30**	29**	18**	28**

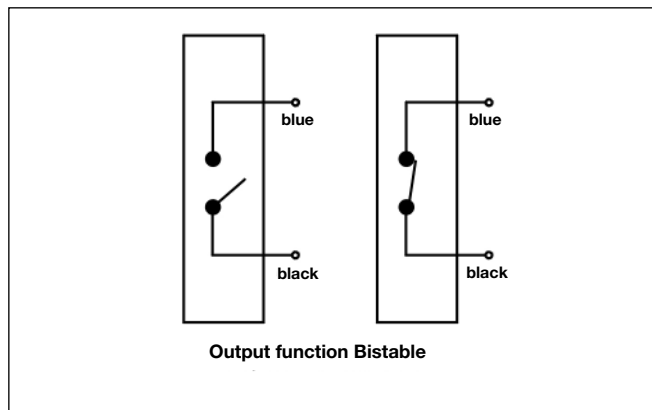
Distances are specified in millimeters (mm)

xx/xx: operating distance (for all Output functions).

\* the magnetic unit must be installed perpendicular to the switch longitudinal axis.

\*\* the magnetic unit must be installed perpendicular to the switch upper surface.

## Wiring Diagrams



## Dimensions

