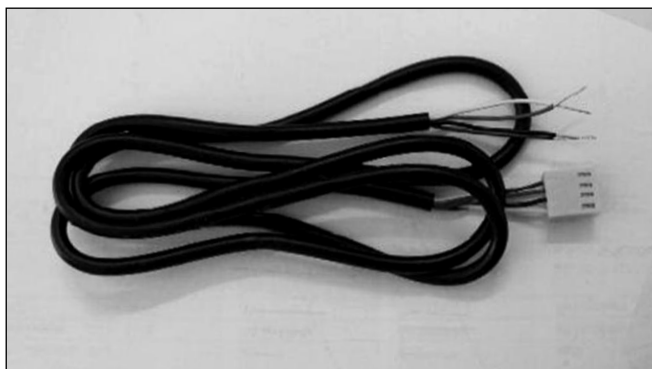


## Contents

|                                  |       |
|----------------------------------|-------|
| Cables .....                     | pg 3  |
| Thermal Interface .....          | pg 4  |
| Screw Kits .....                 | pg 5  |
| DIN adaptors .....               | pg 6  |
| Heatsinks .....                  | pg 9  |
| Protection Covers .....          | pg 11 |
| Fans .....                       | pg 13 |
| Terminal Adapters .....          | pg 14 |
| Varistors .....                  | pg 18 |
| Temperature Limit Switches ..... | pg 20 |



# Solid State Relays Accessories, Cables Types RCS..



## Ordering Key

**RCS 3 -100 -1**

R-System cable \_\_\_\_\_  
 No. of wires \_\_\_\_\_  
 Cable length in cm \_\_\_\_\_  
 Termination at one end \_\_\_\_\_

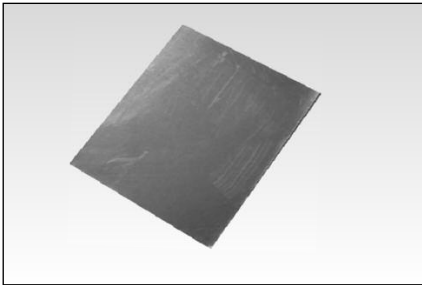
## Selection Guide

| Part No.   | No. of wires | Cable length (cm) | Type          | Cable size          | Termination                         |
|------------|--------------|-------------------|---------------|---------------------|-------------------------------------|
| RCS3-100-1 | 3            | 100               | UL style 2547 | 0.14mm <sup>2</sup> | 3-pin socket to mate with RM1E..V.. |
| RCS4-100-1 | 4            | 100               | UL style 2464 | 0.14mm <sup>2</sup> | 4-pin socket to mate with RA2A..C   |
| RCS4-400-1 | 4            | 400               | UL style 2464 | 0.14mm <sup>2</sup> | 4-pin socket to mate with RA2A..C   |
| RCS5-200-1 | 5            | 200               | UL style 2464 | 0.25mm <sup>2</sup> | 5-pin socket to mate with RA..S     |

# Solid State Relays Accessories, Thermal Interface

CARLO GAVAZZI

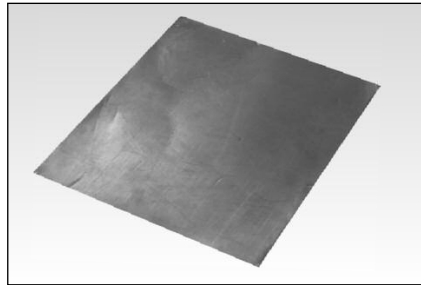
## Thermal pads



### Ordering Key

**KK071 CUT**

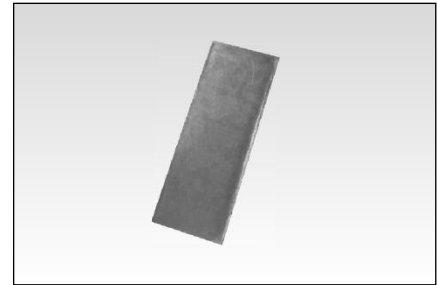
- Graphite thermal pad for RA, RD, RM, RAM and RS series with adhesive on one side
- Width x Height x Thickness = 35 x 43 x 0.25 mm
- Packing qty. 50 pcs.



### Ordering Key

**RZHT**

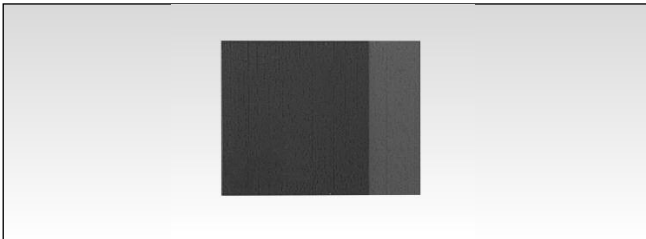
- Graphite thermal pad for RZ3 series with adhesive on one side
- Width x Height x Thickness = 70 x 77 x 0.25 mm
- Packing qty. 10 pcs.



### Ordering Key

**RGHT**

- Graphite thermal pad for RG series with adhesive on one side
- Width x Height x Thickness = 14 x 35 x 0.13 mm
- Packing qty. 10 pcs.

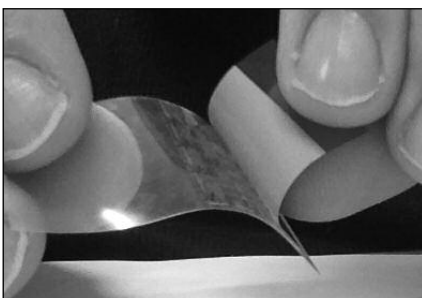


### Ordering Key

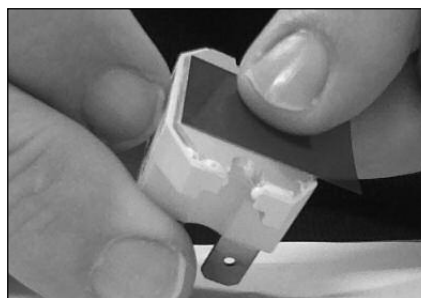
**RFHT**

- Phase change thermal pad for RF1
- Width x Height x Thickness = 19 x 17 x 0.13 mm
- Packing qty. 10 pcs.

## Mounting of RFHT on SSR



1. Remove thermal pad from its protective layer

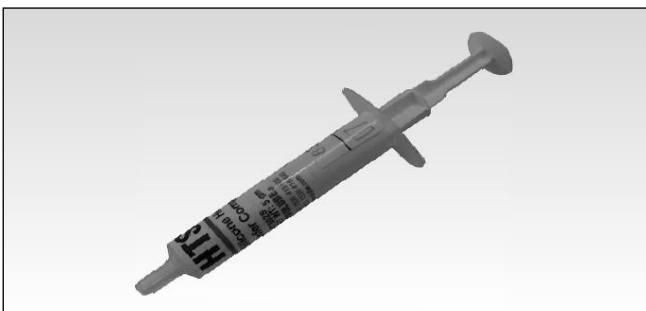


2. Ensure that surface is clean. Mount on the back of the SSR.



3. Leave for 30 minutes and peel off liner

## Thermal paste



### Ordering Key

**HTS02S**

- Silicone based thermal paste syringe
- Volume = 2ml
- Packing qty. 1 pc.

# Solid State Relays Accessories, Screw Kits Types SRWKIT...

CARLO GAVAZZI



## Ordering Key **SRWKIT M5 X 10MM**

Screw Kit \_\_\_\_\_  
Screw size \_\_\_\_\_  
Screw length \_\_\_\_\_

## Selection Guide

| Part No.      | Screw size | Length | Packing qty. | Screw head    |
|---------------|------------|--------|--------------|---------------|
| SRWKITM5X10MM | M5         | 10mm   | 20           | Pozidrive PZ2 |
| SRWKITM4X15MM | M4         | 15mm   | 20           | Philips       |
| SRWKITM5X23MM | M5         | 23mm   | 20           | Torx T20      |
| SRWKITM5X30MM | M5         | 30mm   | 20           | Torx T20      |

Please refer to SSR datasheet and / or heatsink datasheet, as applicable, for reference to the type of screw suitable for mounting a specific SSR model on a specific heatsink

# Solid State Relays Accessories, DIN Adaptors



## DIN Adaptors for PCB SSRs

DIN rail adaptor module for mounting RP series SSRs on DIN rail. The RPM1 is intended for max. operational voltage of 250V, whilst the RPM2 can be used up to 600V.

The RP SSR is not included. Suffix 'M1' or 'M2' is added to the SSR part no. for a factory mounted solution.

Note that when the RP..10 is mounted on DIN rail (vertical mounting), a derating factor has to be applied.

## Ordering Key

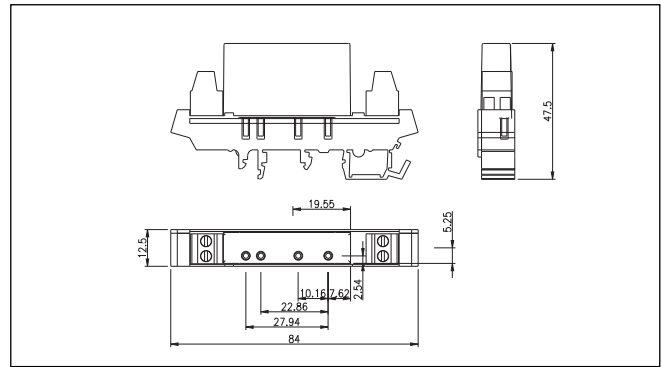
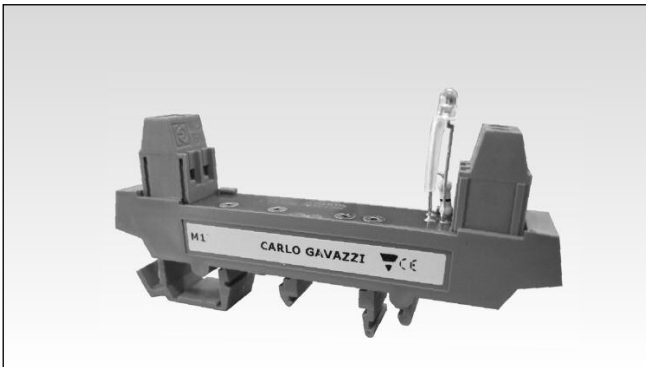
**RPM 1 -**

RP DIN rail adaptor module \_\_\_\_\_  
Module size \_\_\_\_\_  
Options \_\_\_\_\_

## Selection Guide

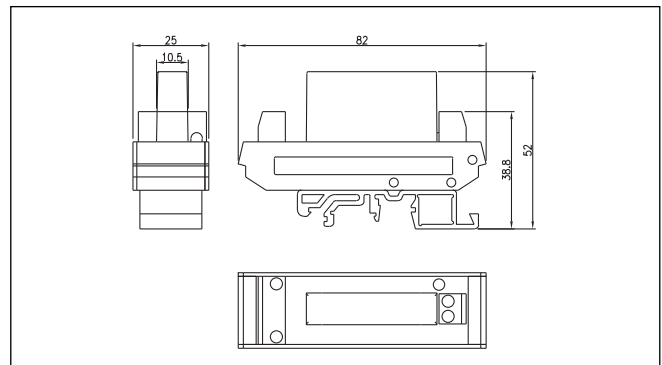
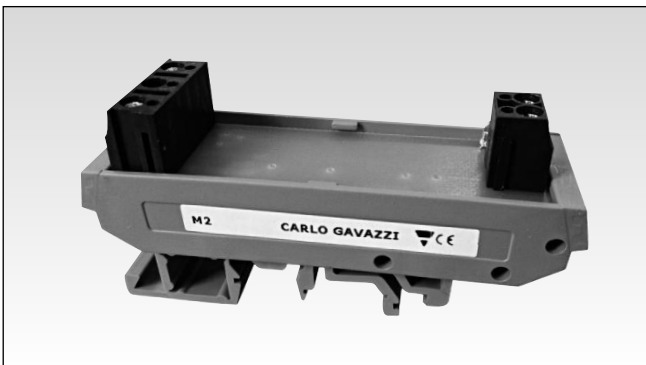
| Part No. | Description   | Packing qty. |
|----------|---|--------------|
| RPM1     | 250V module with LED                                    | 1            |
| RPM1V    | 250V module with LED + varistor across output terminals | 1            |
| RPM1P    | 250V module with pins for easy removal of RP unit       | 1            |
| RPM1PD   | 250V module with pins for easy removal of RP unit + LED | 1            |
| RPM2     | 600V module with LED                                    | 2            |

### RPM1



Dimensions in mm including SSR

### RPM2



Dimensions in mm including SSR

## Housing Specifications

|                                     |                                      |                       |                                     |
|-------------------------------------|--------------------------------------|-----------------------|-------------------------------------|
| Housing material                    | PA, green, UL94 V0                   | Mounting torque max.  | 0.5 Nm                              |
| Weight                              | RPM1 approx. 15g<br>RPM2 approx. 20g | Operating temperature | -20° to + 70°C<br>[-4 to +158°F]    |
| Terminal screws                     | M3                                   | Storage temperature   | -40° to + 100°C<br>[-40° to +212°F] |
| Terminal cable size max. (stranded) | 1.5mm <sup>2</sup>                   | DIN rail guide        | DIN EN 50022, 50035                 |

## DIN Adaptor for 1-phase SSRs

DIN rail adaptor module for mounting the 1-phase SSR series RA, RD, RM, RS and RAM directly on DIN rail.

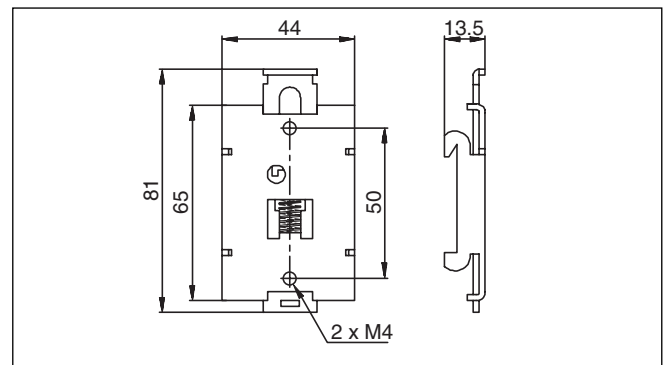
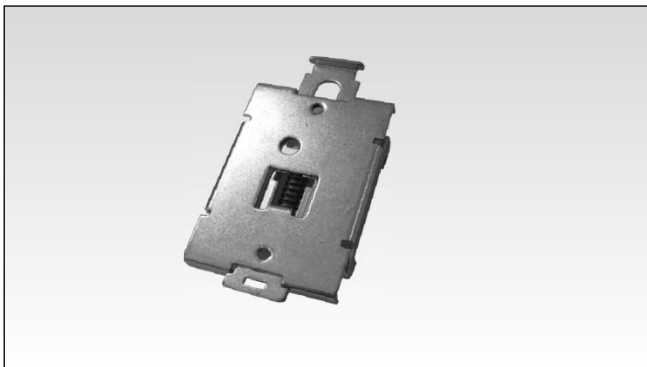
Suffix H8 added to SSR part no. refers to factory mounted DIN clip. Conditions apply. Please ask your Sales representative for further details.

### Ordering Key

**RHS00**

Material

Electroplated steel



Dimensions in mm

## DIN Adaptor for RGS SSRs



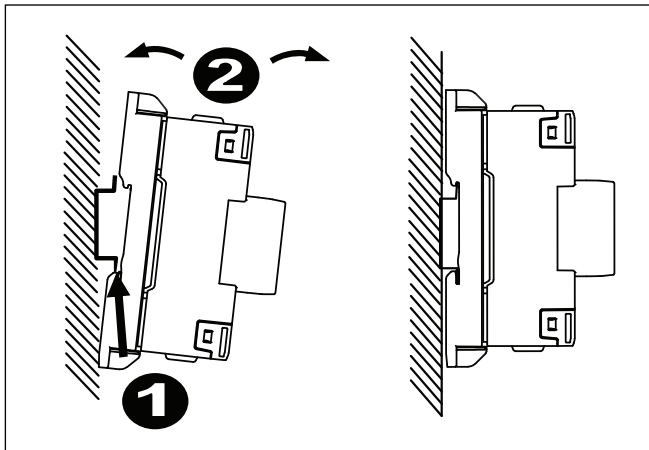
### Ordering Key

**RGS1DIN**

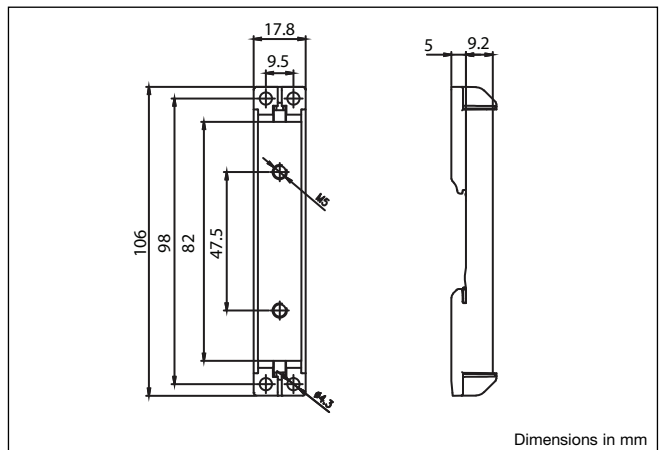
DIN rail adaptor module for mounting the RGS series on DIN rail.

This adaptor integrates an aluminium plate which allows the RGS with mounted RGS1DIN to be used for load current of minimum 10AAC @ 40°C. Refer to RGS datasheet for derating characteristics.

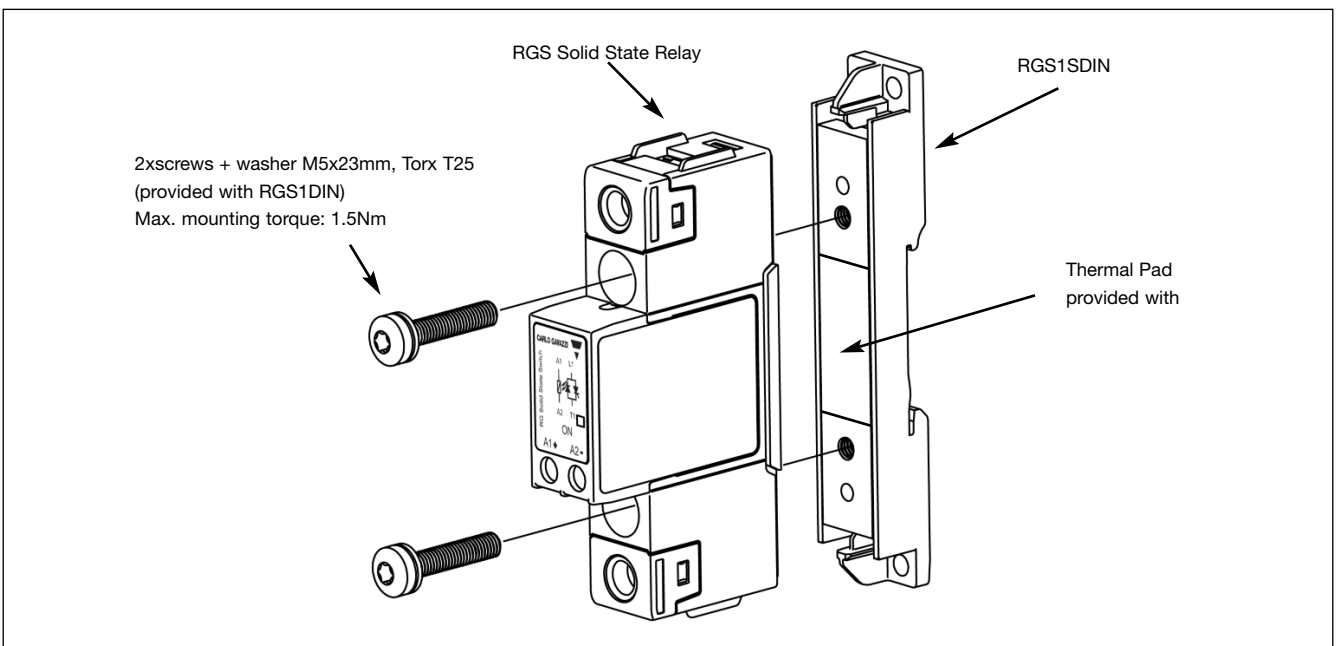
### Installation Instructions



### Dimensions



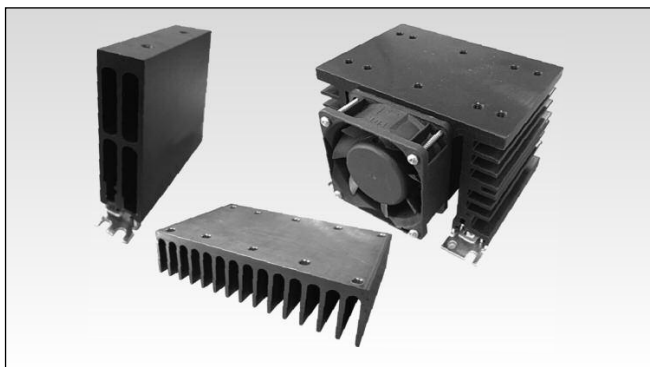
### Mounting Instructions





# Solid State Relays Accessories, Heatsinks Types RHS..

CARLO GAVAZZI



## Ordering Key

**RHS..**

The tables below give an overview of the range of Carlo Gavazzi heatsinks. For specific details refer to the individual datasheet of each heatsink model.

An online **Heatsink Selector Tool** available at [www.product-selection.net](http://www.product-selection.net) indicates the most suitable heatsink for a specific application.

## DIN mount heatsinks

| Heatsink reference | Mounted fan | Thermal resistance | Overall dimensions<br>not including SSR<br>Width x Height x<br>Depth (mm) | Max. number of SSRs per series per heatsink |        |           |           |          |       |
|--------------------|-------------|--------------------|---|---|--------|-----------|-----------|----------|-------|
|                    |             |                    |   | RA..<br>RD..<br>RM1..<br>RAM1..<br>RS1..    | RGS1.. | RGS1S..E. | RGS1S..U. | RGS1P..E | RZ3.. |
| RHS00              | -           | 12.3 °C/W (>10W)   | 44 x 82 x 16  | 1   | -      | -         | -         | -        | -     |
| RHS300             | -           | 5.40 °C/W (>30W)   | 105 x 82 x 20   | -   | -      | -         | -         | -        | 1     |
| RHS37A             | -           | 4.00 °C/W (>20W)   | 18 x 110 x 52   | -   | 1      | 1         | -         | -        | -     |
| RHS10015           | -           | 4.00 °C/W (>30W)   | 100 x 82 x 29   | 2   | -      | -         | -         | -        | -     |
| RHS100, RHS100D    | -           | 3.10 °C/W (>25W)   | 44 x 82 x 48  | 1   | -      | -         | -         | -        | -     |
| RHS45C, RHS45CD    | -           | 2.20 °C/W (>45W)   | 45 x 103 x 55   | 1   | -      | -         | -         | -        | -     |
| RHS52A             | -           | 2.00 °C/W (>45W)   | 22.5 x 110 x 90   | -   | 1      | 1         | -         | -        | -     |
| RHS45B, RHS45BD    | -           | 1.85 °C/W (>50W)   | 45 x 103 x 80   | 1   | -      | -         | -         | -        | -     |
| RHS540, RHS540D    | -           | 1.85 °C/W (>60W)   | 54 x 110 x 51   | 1   | 3      | 1         | 1         | 1        | -     |
| RHS542, RHS542D    | -           | 1.85 °C/W (>60W)   | 54 x 110 x 51   | -   | 2      | 2         | -         | 1        | -     |
| RHS703, RHS703D    | -           | 1.10 °C/W (>60W)   | 72 x 110 x 75   | 1   | 3      | 2         | 2         | 1        | -     |
| RHS90A, RHS90AD    | -           | 0.97 °C/W (>60W)   | 90 x 103 x 80   | 1   | -      | -         | -         | -        | -     |
| RHS301, RHS301D    | -           | 0.82 °C/W (>80W)   | 119 x 82 x 94   | 2   | -      | -         | -         | -        | 1     |
| RHS112A, RHS112AD  | -           | 0.76 °C/W (>100W)  | 112 x 103 x 80  | 2   | -      | -         | -         | -        | 1     |
| RHS11267DIND       | -           | 0.54 °C/W (>150W)  | 119 x 125 x 94  | 2   | 3      | 3         | 2         | 2        | 1     |
| RHS540F40-24       | 24VDC       | 0.65 °C/W          | 54 x 135 x 51   | 1   | 3      | 1         | 1         | 1        | -     |
| RHS542F40-24       | 24VDC       | 0.65 °C/W          | 54 x 135 x 51   | -   | 2      | 2         | -         | 1        | -     |
| RHS703F60-24       | 24VDC       | 0.37 °C/W          | 72 x 141 x 75   | 1   | 3      | 2         | 2         | 1        | -     |
| RHS703F60-230      | 220-240VAC  | 0.37 °C/W          | 72 x 141 x 75   | 1   | 3      | 2         | 2         | 1        | -     |
| RHS112AF60-24      | 24VDC       | 0.35 °C/W          | 112 x 120 x 80  | 2   | -      | -         | -         | -        | 1     |
| RHS112AF60-230     | 220-240VAC  | 0.35 °C/W          | 112 x 120 x 80  | 2   | -      | -         | -         | -        | 1     |
| RHS301F115C        | 115VAC      | 0.28 °C/W          | 124 x 146 x 122   | 2   | -      | -         | -         | -        | 1     |
| RHS301F230C        | 220-240VAC  | 0.28 °C/W          | 124 x 146 x 122   | 2   | -      | -         | -         | -        | 1     |
| RHS28009F80-24P    | 24VDC       | 0.12 °C/W          | 280 x 87 x 122  | 4   | 9      | 9         | 4         | 4        | -     |
| RHS28011F80-24P    | 24VDC       | 0.12 °C/W          | 280 x 87 x 122  | 3   | 11     | 6         | 5         | -        | -     |

## Thru wall mount heatsinks

| Heatsink reference | Mounted fan | Thermal resistance | Overall dimensions not including SSR<br>Width x Height x Depth (mm) | Max. number of SSRs per series per heatsink |  |        |           |           |          |       |
|--------------------|-------------|--------------------|---|---|--|--------|-----------|-----------|----------|-------|
|                    |             |                    |   | RF1..                                       | RA..<br>RD..<br>RM1..<br>RAM1..<br>RS1.. | RGS1.. | RGS1S..E. | RGS1S..U. | RGS1P..E | RZ3.. |
| RHS38ARFD          | -           | 2.85 °C/W (>40W)   | 46 x 76 x 33  | 1   | -  | -      | -         | -         | -        | -     |
| RHS10025D          | -           | 1.85 °C/W (>60W)   | 100 x 100 x 25  | -   | 1  | 3      | 2         | 1         | 1        | -     |
| RHS16225D          | -           | 1.30 °C/W (>90W)   | 162 x 100 x 25  | -   | 3  | 3      | 3         | 3         | 2        | 1     |
| RHS16225LD         | -           | 0.84 °C/W (>120W)  | 162 x 250 x 25  | -   | 3  | 3      | 3         | 3         | 2        | 1     |
| RHS11267D          | -           | 0.54 °C/W (>150W)  | 112 x 125 x 67  | -   | 1  | 3      | 2         | 2         | 1        | -     |
| RHS30040D          | -           | 0.40 °C/W (>180W)  | 300 x 200 x 40  | -   | 8  | 12     | 12        | 5         | 6        | -     |

## Panel mount heatsinks

| Heatsink reference | Mounted fan | Thermal resistance | Overall dimensions not including SSR<br>Width x Height x Depth (mm) | Max. number of SSRs per series per heatsink |  |        |           |           |          |       |
|--------------------|-------------|--------------------|---|---|--|--------|-----------|-----------|----------|-------|
|                    |             |                    |   | RF1..                                       | RA..<br>RD..<br>RM1..<br>RAM1..<br>RS1.. | RGS1.. | RGS1S..E. | RGS1S..U. | RGS1P..E | RZ3.. |
| RHS5050D           | -           | 3.50 °C/W (>25W)   | 80 x 50 x 51  | -   | 1  | -      | -         | -         | -        | -     |
| RHS5050RFD         | -           | 3.50 °C/W (>25W)   | 80 x 50 x 51  | 1   | -  | -      | -         | -         | -        | -     |
| RHS38AD            | -           | 2.85 °C/W (>40W)   | 46 x 76 x 33  | -   | 1  | -      | -         | -         | -        | -     |
| RHS38ARFD          | -           | 2.85 °C/W (>40W)   | 46 x 76 x 33  | 1   | -  | -      | -         | -         | -        | -     |
| RHS10025D          | -           | 1.85 °C/W (>60W)   | 100 x 100 x 25  | -   | 1  | 3      | 2         | 1         | 1        | -     |
| RHS5840D           | -           | 1.80 °C/W (>60W)   | 81 x 100 x 40   | -   | 1  | 3      | 2         | 1         | 1        | -     |
| RHS10067D          | -           | 1.70 °C/W (>20W)   | 121 x 76 x 67   | -   | 1  | -      | -         | -         | -        | -     |
| RHS16225D          | -           | 1.30 °C/W (>90W)   | 162 x 100 x 25  | -   | 3  | 3      | 3         | 3         | 2        | 1     |
| RHS10067LD         | -           | 0.88 °C/W (>80W)   | 121 x 140 x 67  | -   | 2  | 2      | -         | -         | 1        | -     |
| RHS16225LD         | -           | 0.84 °C/W (>120W)  | 162 x 250 x 25  | -   | 3  | 3      | 3         | 3         | 2        | 1     |
| RHS320             | -           | 0.40 °C/W (>120W)  | 240 x 100 x 93  | -   | 3  | 3      | 3         | 3         | 3        | 1     |

# Solid State Relays Accessories, Protection Covers

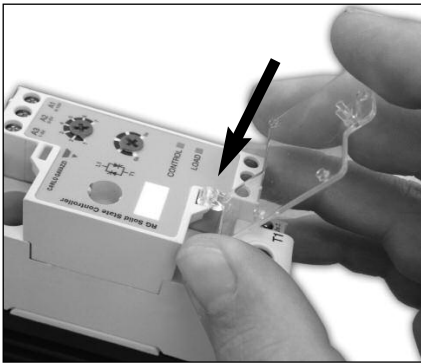


## Ordering Key

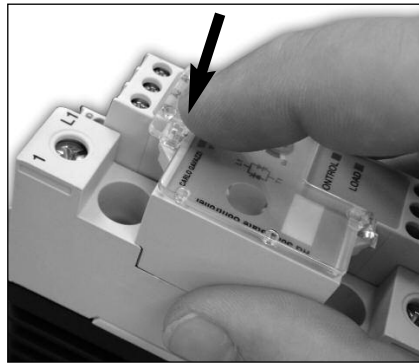
**RGTMP**

Tamper proof accessory kit for RGS1P, RGC1P series containing:  
- x5 transparent covers  
- x5 secureness ties

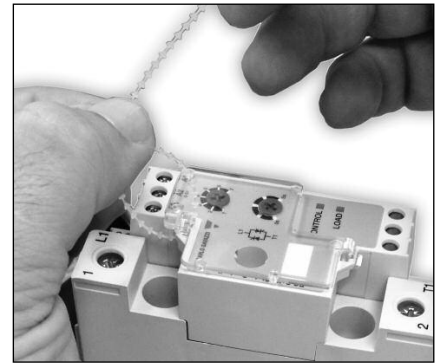
## Installation

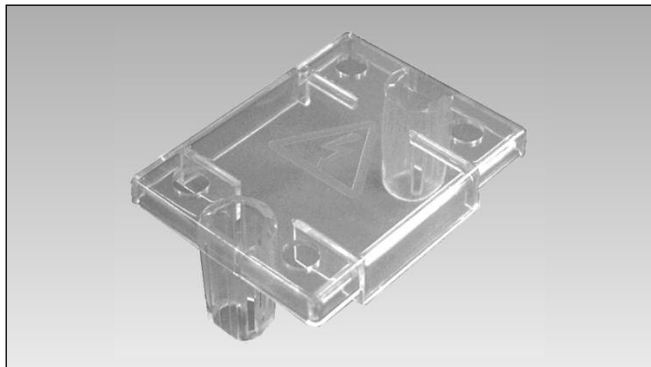


1: Clip hook of the transparent cover to the bottom loop of the RGx1P control module  
2: Close the cover by clipping to the top



loop of the RGx1P control module  
3: Secure with provided tie





**Ordering Key**

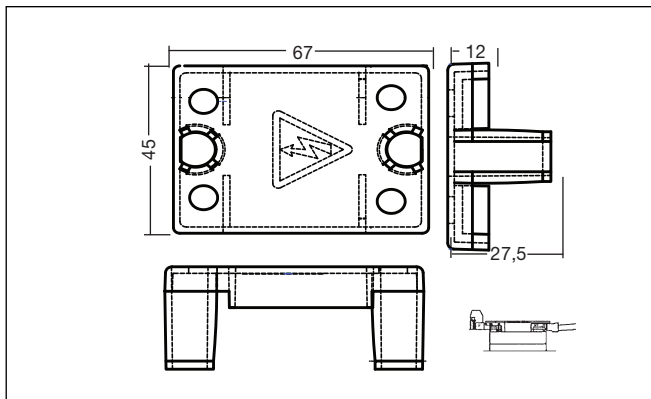
**BBR**

- IP20 touch protection cover for RA & RD series
- Packing qty. 25 pcs.

**Ordering Key**

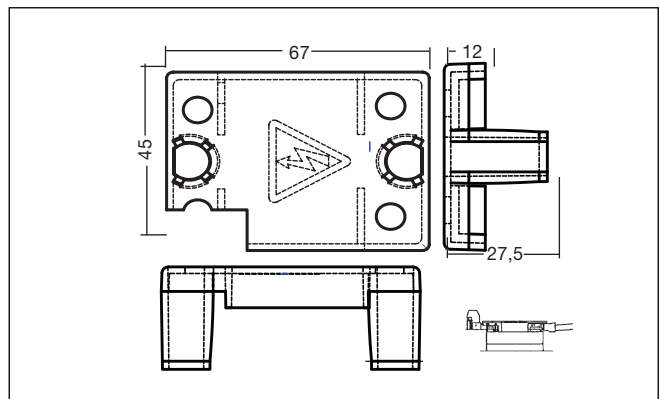
**BBR-S**

- IP20 touch protection cover for RA..S series
- Packing qty. 25 pcs.



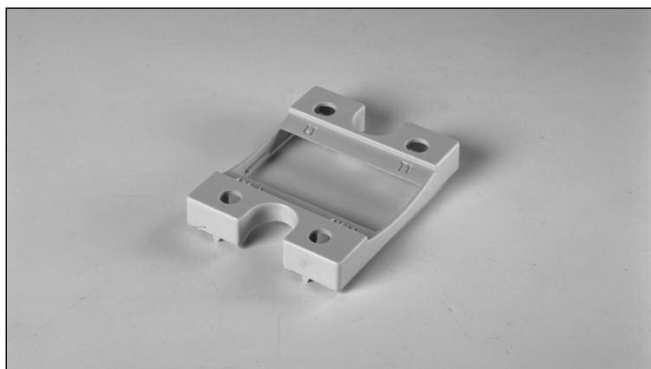
**BBR**

Dimensions in mm



**BBR-S**

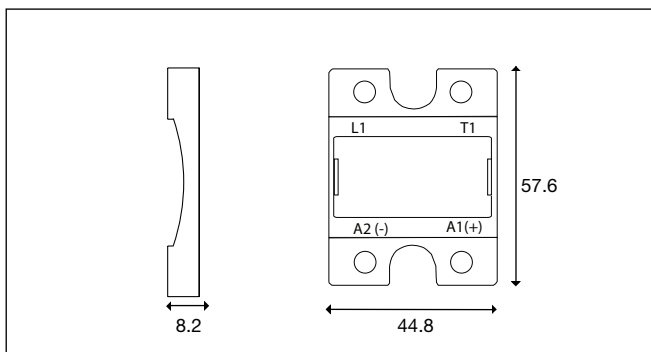
Dimensions in mm



**Ordering Key**

**RMIP20**

- IP20 touch protection cover for RM, RS and RAM series
- Packing qty. 20 pcs.



Dimensions in mm



## Ordering Key

**RHSF..**

Fans for mounting to heatsinks RHS45C, RHS45B, RHS90A, RHS112A, RHS540, RHS542, RHS703, RHS301 for higher thermal resistance.

Assemblies with pre mounted fans are also available. Refer to Heatsinks datasheet for further details.

## Selection Guide

| Part No.   | Size Width x Height<br>x Depth (mm) | Voltage rating            | Power<br>consumption | Suitable for mounting to heatsink |
|------------|-------------------------------------|---------------------------|----------------------|-----------------------------------|
| RHSF40-24  | 40 x 40 x 20                        | 24 VDC                    | 0.92 Watts           | RHS45C, RHS45B, RHS540, RHS542    |
| RHSF60-24  | 60 x 60 x 20                        | 24 VDC                    | 1.8 Watts            | RHS90A, RHS112A, RHS703           |
| RHSF60-230 | 60 x 60 x 20                        | 220 - 240 VAC,<br>50/60Hz | 4.1 / 4.4 Watts      | RHS90A, RHS112A, RHS703           |
| RHS301F115 | 120 x 120 x 38<br>(plus bracket)    | 115 VAC<br>50/60Hz        | 20 / 18 Watts        | RHS301                            |
| RHS301F230 | 120 x 120 x 38<br>(plus bracket)    | 220 - 240 VAC,<br>50/60Hz | 20 / 19 Watts        | RHS301                            |

# Solid State Relays Accessories, Terminal Adaptors



## Fork Terminals

These fork terminals are suitable for use with the RM, RS and RAM series. The maximum cross sectional area that these connectors can handle is 35mm<sup>2</sup>/AWG2. A version with touch protection is also available.

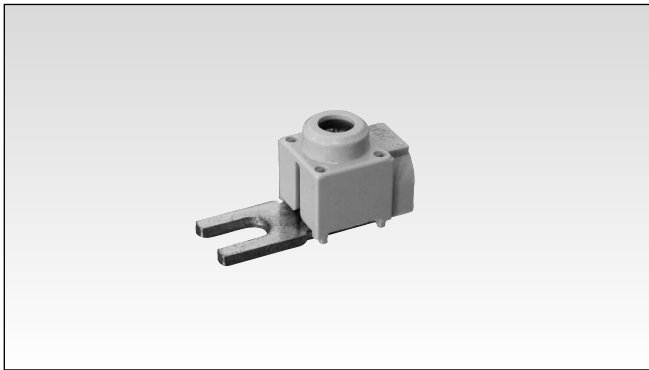
### Ordering Key

**RM 635 FK**

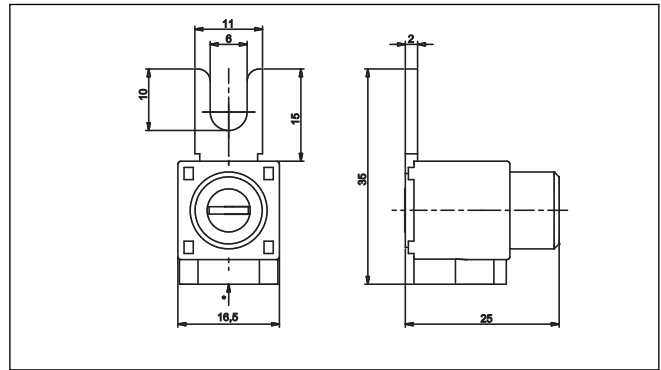
RM, RAM, RS solid state relay  
Size  
Fork terminal  
Options

## Selection Guide

| Part No. | Max. cross sectional area<br>(flexible conductor) | Touch protection | Packing qty. |
|----------|---|------------------|--------------|
| RM625FK  | 16mm <sup>2</sup>                                 | No               | 10           |
| RM635FK  | 35mm <sup>2</sup>                                 | No               | 10           |
| RM635FKP | 35mm <sup>2</sup>                                 | Yes              | 10           |



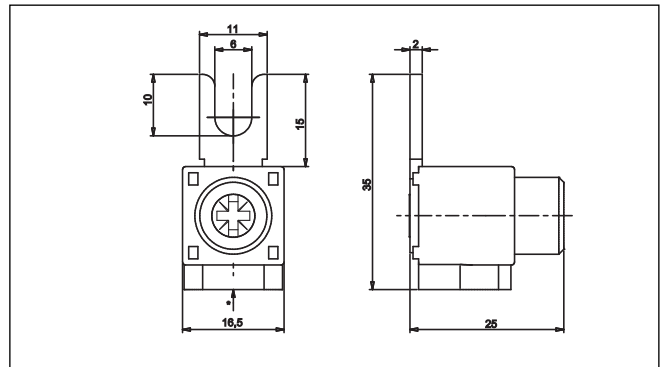
RM625FK



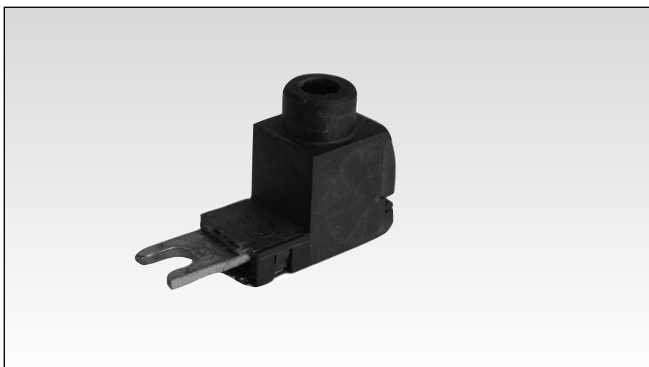
Dimensions in mm



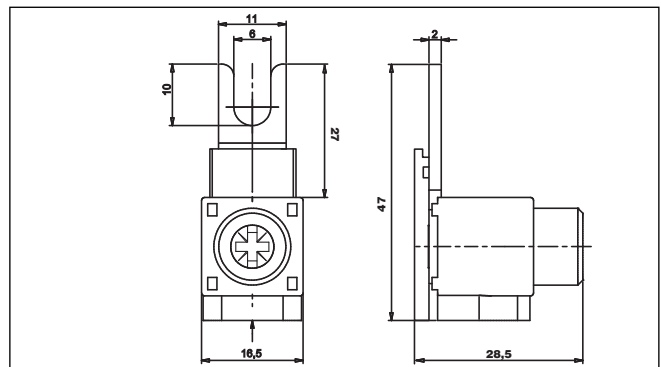
RM635FK



Dimensions in mm



RM635FKP

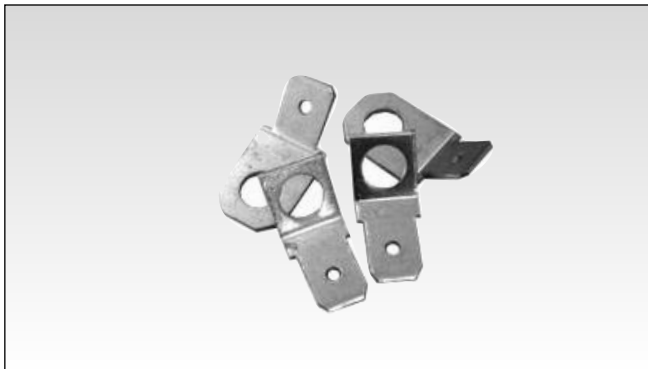


Dimensions in mm

## General Specifications

|                       |                              |  |
|-----------------------|------------------------------|--|
| Housing               | RM625FK, RM635FK<br>RM635FKP | Cycoloy UL94 V0<br>Latamid UL94 V0                                       |
| Connection lug        |                              | CuZn37 with surface Zn4ymcA  |
| Max. fastening torque |                              | 2Nm (17.7 lb-in)   |
| Wire acceptance       |                              |  |
| Solid Cu conductor    | RM635FK.<br>RM625FK          | 6 - 50mm <sup>2</sup> (AWG 10 - 1)<br>6 - 25mm <sup>2</sup> (AWG 10 - 4) |
| Flexible Cu conductor | RM635FK.<br>RM625FK          | 6 - 35mm <sup>2</sup> (AWG 10 - 3)<br>6 - 16mm <sup>2</sup> (AWG 10 - 6) |
| Connection diameter   | RM635FK.<br>RM625FK          | 10mm<br>6.5mm  |
| Max. handling current | RM635FK.                     | 100 A  |

## FASTON Terminals



### Ordering Key

**RM 48 F4**

RM, RAM, RS solid state relay

Tab size

Tab orientation

FASTON tabs for screw mounting on RM, RS, RAM series. Tabs are tin plated brass with dimensions according to DIN46342 part 1

## Selection Guide

| Part No.      | Tab size               | Tab orientation | Packing qty. |
|---------------|------------------------|-----------------|--------------|
| <b>RM48F4</b> | 4.8 x 0.8mm for input  | Angled 45°      | 20           |
| <b>RM48F0</b> | 4.8 x 0.8mm for input  | Flat 0°         | 20           |
| <b>RM63F4</b> | 6.3 x 0.8mm for output | Angled 45°      | 20           |
| <b>RM63F0</b> | 6.3 x 0.8mm for output | Flat 0°         | 20           |

## Hex Spacers



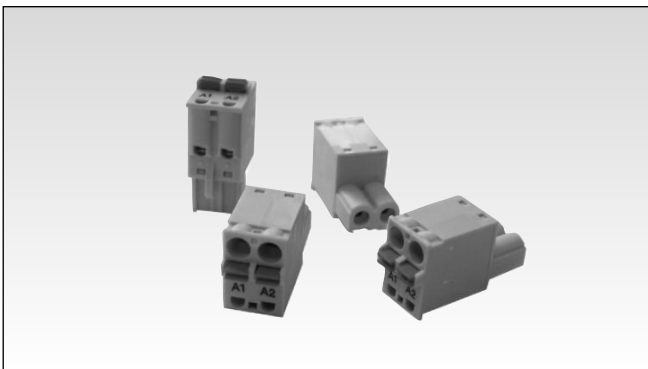
### Ordering Key

**RMSP03**

- Dimensions M3 x 12mm
- Packing qty. 20 pcs.

Hex tin plated brass spacer M3x12mm for mounting on input terminals of RM, RS and RAM series to allow for mounting of PCB on top of SSR

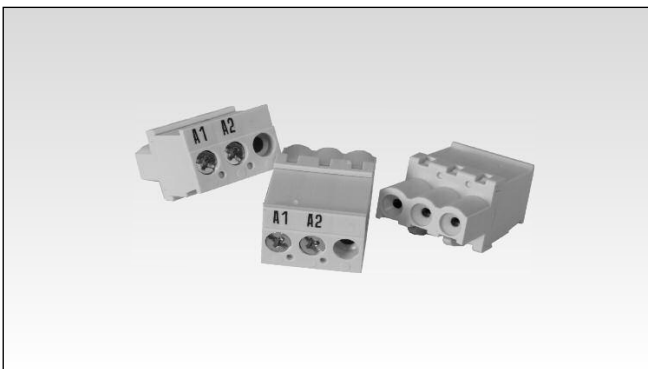
## Plug Terminals



### Ordering Key

**RGM25**

- Spring loaded plug terminal for RG series
- 2 pole, 1x 0.2-2.5mm<sup>2</sup> (24 - 12 AWG)
- Packing qty. 10 pcs.



### Ordering Key

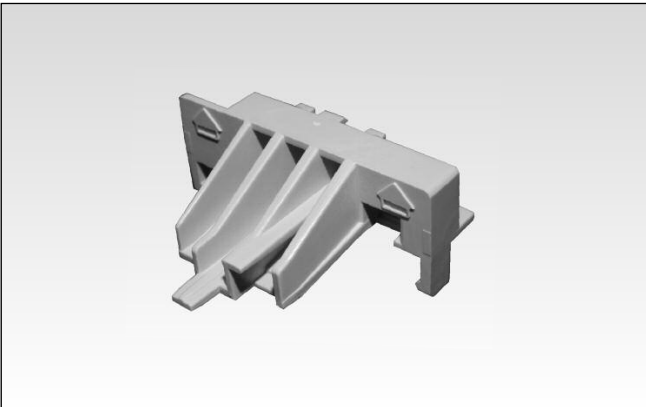
**RG3G25**

- Box clamp plug terminal for RGCM series
- 3 way 2 pole, 1x 0.2-2.5mm<sup>2</sup> (24 - 12 AWG)
- Packing qty. 10 pcs.



## Motor Overload Relay Adaptor

---



### Ordering Key

**REC3ADAPTOR**

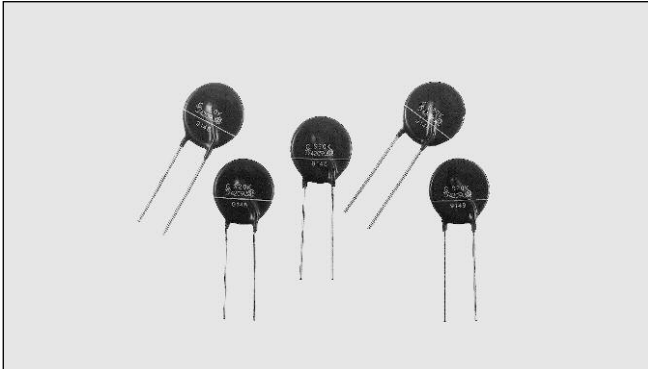
This plastic adaptor can be fitted to the RGCM housing cover to facilitate mounting of overload protection relays. This adaptor is compatible with:

| <b>Manufacturers</b> | <b>Series</b> | <b>Example</b> |
|----------------------|---------------|----------------|
| ABB                  | TA            | TA25DU-8.5     |
| Siemens              | 3RU11         | 3RU1126-1FB0   |

Packing qty. 5 pcs.

# Solid State Relays Accessories, Varistors Type RV

CARLO GAVAZZI



- Transient protection devices for Solid State Relays

## Product Description

A metal oxide varistor (MOV) is a voltage dependent resistor with a symmetrical V/I characteristics curve whose resistance decreases with increasing voltage. Varistors are ideally suited for protecting sensitive electronic circuits and components (power semiconductors) against

voltage transients caused either by the mains or by other application parts. Connected in parallel with the electronic device that is to be guarded, they form a low resistance shunt when voltage increases and thus prevent any further V/I in the over voltage

## Ordering Key

**RV 04**

Solid State Relay \_\_\_\_\_  
Varistor \_\_\_\_\_  
Varistor voltage \_\_\_\_\_

## Type Selection

### 3-phase mains without neutral

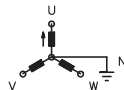


| Mains | Uc * | Carlo Gavazzi** | Epcos        | AVX         | Nippon Chemi-Con | ACPA/Song Long |
|-------|------|-----------------|--------------|-------------|------------------|----------------|
| 230 V | 710  | <b>RV 02</b>    | SIOV-S20K275 | VF20M10431K | TND 20V-431      | 431KD20        |
| 400 V | 1120 | <b>RV 04</b>    | SIOV-S20K420 | VF20M10681K | TND 20V-681      | 681KD20        |
| 480 V | 1355 | <b>RV 05</b>    | SIOV-S20K510 | VF20M10821K | TND 20V-821      | 821KD20        |
| 600 V | 1650 | <b>RV 06</b>    | SIOV-S20K625 | VF20M10102K | TND20V-102       | 102KD20        |
| 660 V | 1815 | <b>RV 07</b>    | SIOV-S20K680 | -           | TND20V-112       | 112KD20        |

\* Uc @ 100 A<sub>p</sub> (SIOV-S20K...)

\*\* Pack of 10 pieces

### 1-phase and 3-phase mains with neutral

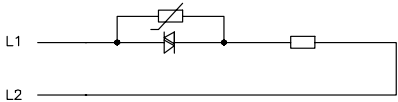
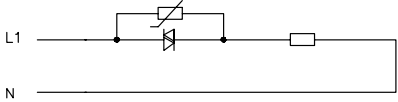
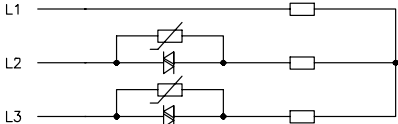
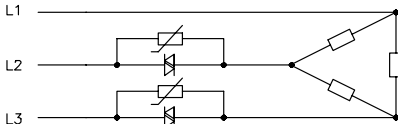
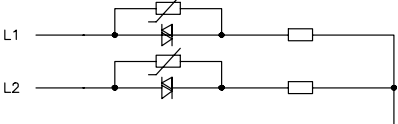
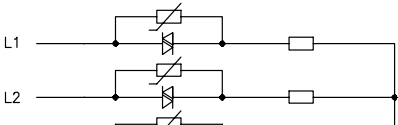
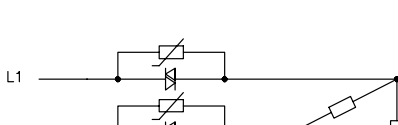
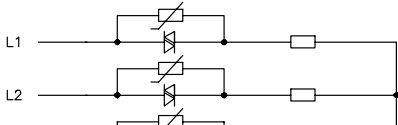


| Mains   | Uc * | Carlo Gavazzi** | Epcos        | AVX         | Nippon Chemi-Con | ACPA/Song Long |
|---------|------|-----------------|--------------|-------------|------------------|----------------|
| 120/240 | 710  | <b>RV 02</b>    | SIOV-S20K275 | VF20M10431K | TND20V-431       | 431KD20        |
| 230/400 | 710  | <b>RV 02</b>    | SIOV-S20K275 | VF20M10431K | TND20V-431       | 431KD20        |
| 400/690 | 1120 | <b>RV 04</b>    | SIOV-S20K420 | VF20M10681K | TND20V-681       | 681KD20        |

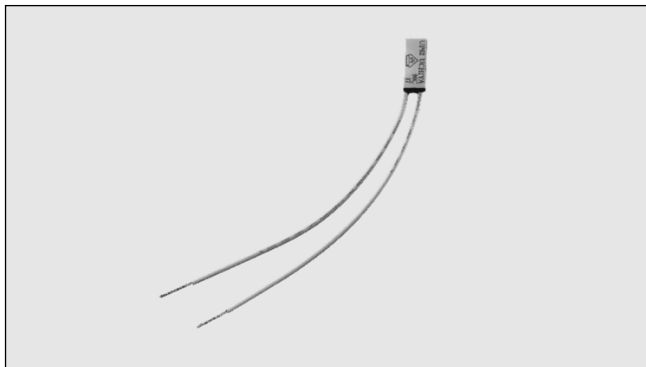
\* Uc @ 100 A<sub>p</sub> (SIOV-S20K...)

\*\* Pack of 10 pieces

## Wiring Diagrams

|                | Mains without neutral  | Mains with neutral  |
|----------------|--|---|
| <b>1-phase</b> |   |    |
| <b>2-phase</b> | <br><br> |   |
| <b>3-phase</b> | <br>   |  |

# Solid State Relays Accessories, Temperature Limit Switches Type UP 62 - ..



- Temperature limit switch for overheat protection of small assemblies.

## Product Description

The temperature limit switch is a readily available accessory. It is a thermostat especially designed for overheat protection for small assemblies.

The thermal response is excellent due to its miniaturized housing. It becomes an effective thermal cutout due to the fact that this limit switch can be fitted close to the heatsink of the relay.

When connected serial with the control voltage, the TLS will switch off the relay as soon as the operating temperature of the switch is reached. The relay will be activated

again when the temperature drops (approx. 30°C) below its cutout value.

In the RZ3 relay, the TLS can be connected to two free (internally non-connected) terminals (B1/B2).

Thermal compound must be added when inserting the TLS (to guarantee a fast thermal response).

The heatsink selection charts (load current versus ambient temperature) for RSO types provide information about which thermal switch to use.

## Ordering Key

**UP 62 - 90**

Thermostat type

Switch temperature

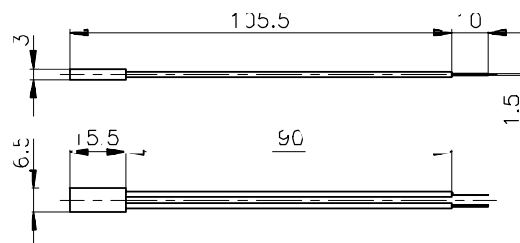
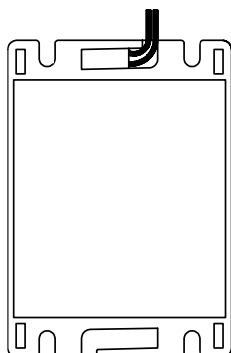
## Type Selection

### Switch temperature

|          |              |
|----------|--------------|
| UP 62-70 | 70°C (158°F) |
| UP 62-80 | 80°C (176°F) |
| UP 62-90 | 90°C (194°F) |

## Installation

The UP 62 - .. is mounted in one of the two slots of the 3-phase SSR housing.



All dimensions in mm