

PIXSYS
electronics

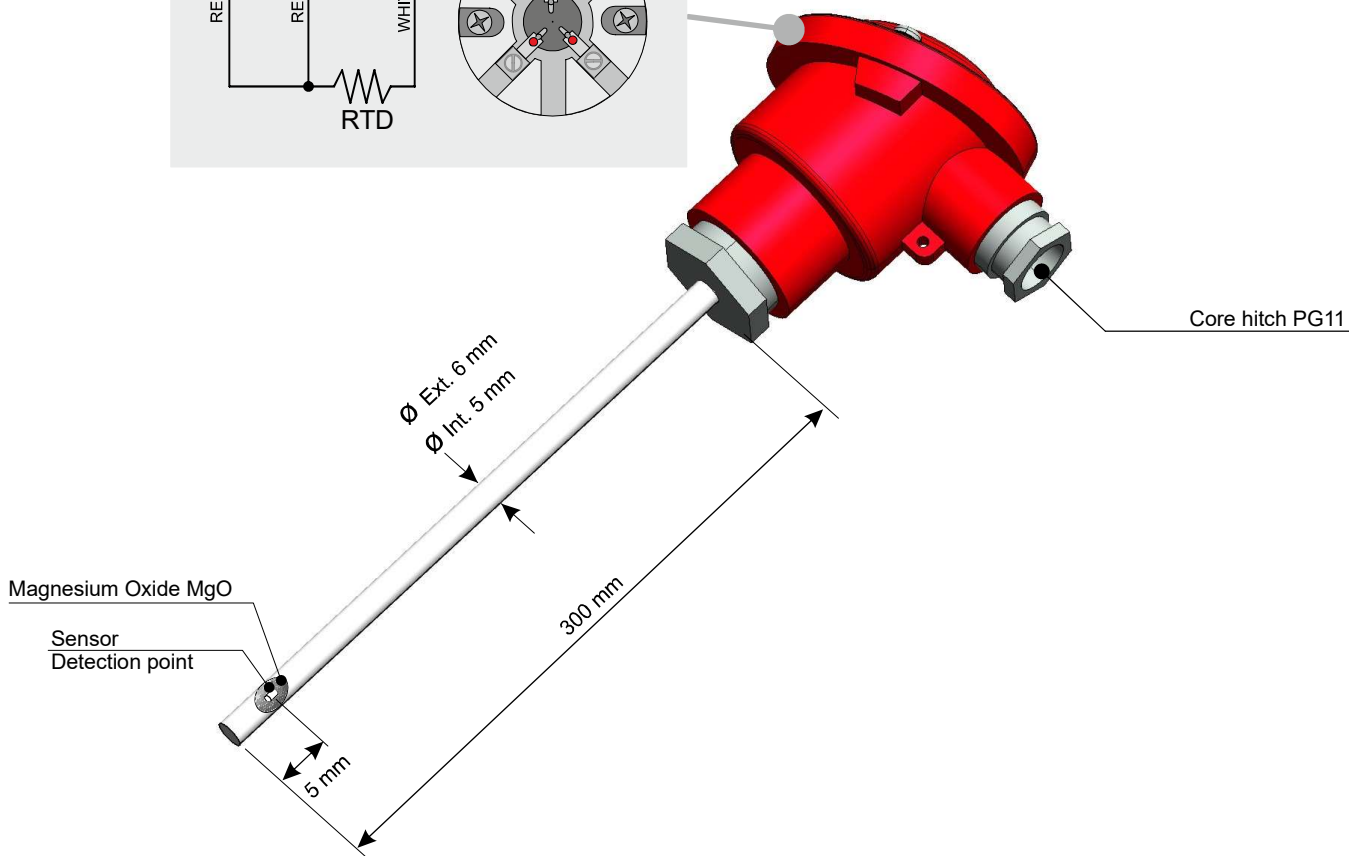
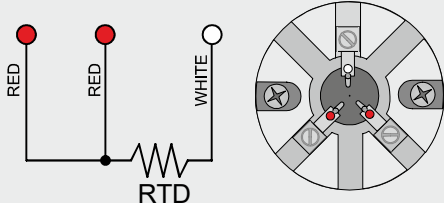
www.pixsys.net ☎ +39 041 5190518 R.A.

CODE : **2000.95.517**

PT100B-6x300-MGO-0000-DIN/B

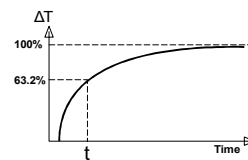
DESCRIPTION :
PT100B sensor 6x300 mm, 3 wires,
no process connection with head DIN/B.
Thermowell code: 2000.30.019.

3 wires CONNECTION



| | |
|--------------------------------|---|
| OPERATING TEMPERATURE : | -100°C + 500°C |
| HEAD MATERIAL : | Aluminium |
| IMMERSION MATERIAL : | Steel AISI 316L (food industry) |
| JUNCTION MATERIAL : | Not available |
| SENSOR INSULATION : | MgO Magnesium Oxide > 20Mohm at 25°C (500Vdc) |
| TAPERING : | NO |
| CERTIFICATION : | NO |
| | |
| | |
| | |

Response time of RTD with tube in steel AISI-316/304 MgO insulated, according to B.S. 1904/1984/CEI60751. 50mm water immersion at 1m/sec speed calculated on 63,2% of thermal gradient, according to stem diameter and thickness.



| CONNECTION CABLE FEATURES | | | | | |
|---------------------------|------------------|---------------|---------------------|---------------------|-----------------|
| SHEATH MATERIAL | TEMPERATURE [°C] | | ABRASION RESISTANCE | HUMIDITY RESISTANCE | FLAME BEHAVIOUR |
| | EXERCISE | INSTANTANEOUS | | | |
| PVC | -30 / + 105 | + 105 | Good | Good | Self-extinguish |
| GSC Silicon rubber | -40 / + 250 | + 250 | Sufficient | Fair | Self-extinguish |
| TFE Teflon | -200 / + 260 | + 310 | Excellent | Excellent | Self-extinguish |
| KAP Kapton | -200 / + 400 | + 440 | Fair | Good | Self-extinguish |
| TTS Glass fiber | -200 / + 500 | + 500 | Poor | Poor | Incombustible |
| TTC Ceramic fiber | + 1000 | + 1100 | Poor | Poor | Incombustible |

| External Diameter | Internal diameter | t=Time |
|-------------------|-------------------|--------|
| 6 mm | 5 mm | 6,5 S |
| 8 mm | 7 mm | 8,3 S |
| 10 mm | 9 mm | 10,2 S |

| ACCORDING TO DIN EN 60751 | TEMPERATURE | TOLERANCE |
|---------------------------|-------------|-----------------------|
| | °C | PT100 B Class (+/-°C) |
| | -200 | 1.3 |
| | -100 | 0.8 |
| | 0 | 0.3 |
| | 100 | 0.8 |
| | 200 | 1.3 |
| | 300 | 1.8 |
| | 400 | 2.3 |
| | 500 | 2.8 |

EASYUP CONFIGURATION

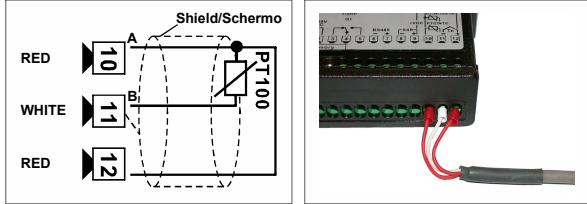
To simplify installation start-up, "EasyUp" mode allows to select type of sensor and to fix its measuring range on the controller by entering a password (see table below).

EASYUP CODE FOR THIS SENSOR :

2200

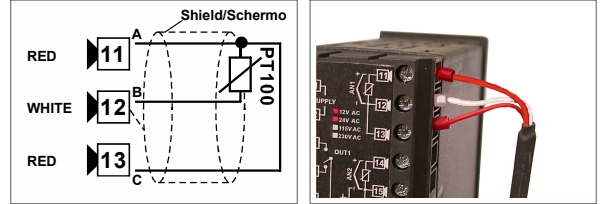
| | |
|---------------------------|--------|
| SENSOR SELECTION : | PT100 |
| LOWER LIMIT : | -100°C |
| UPPER LIMIT : | +500°C |

ATR142 CONNECTION



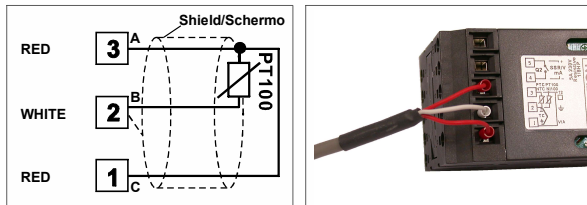
N.B. EasyUp on software version 1.12 or greater

ATR401 CONNECTION



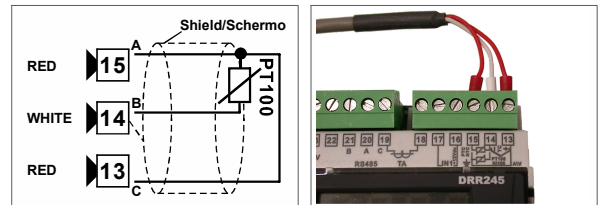
N.B. EasyUp on software version 1.01 or greater

ATR236/243 CONNECTION



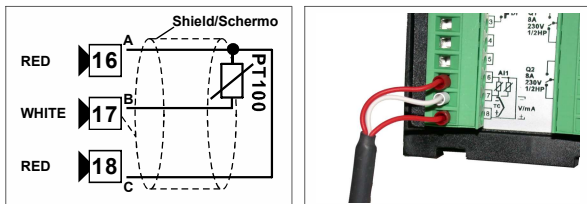
N.B. EasyUp on software version 1.18 or greater

DDR245 CONNECTION



N.B. EasyUp on software version 1.18 or greater

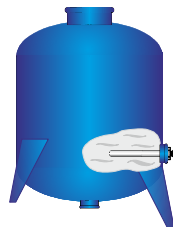
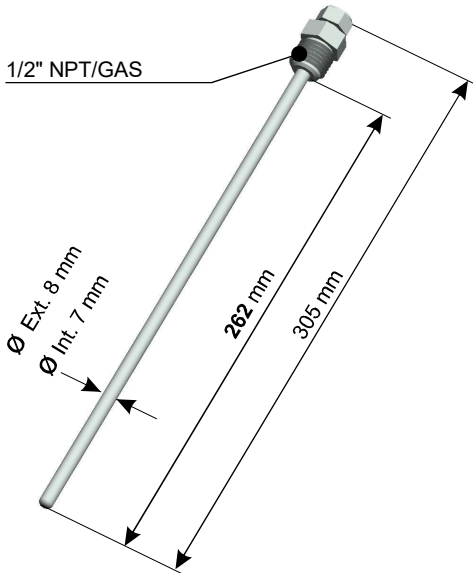
ATR621/171 CONNECTION



N.B. EasyUp on software version 1.01 or greater

THERMOWELL

THERMOWELL Code : 2000.30.019



Fix thermowell to the process.

Place temperature sensor at the chosen depth, fix the junction with a 17mm spanner.

| | |
|-------------------------------------|---------------------------------|
| OPERATING TEMPERATURE : | -100°C + 900°C |
| MAXIMUM OPERATING PRESSURE : | 100 Bar |
| IMMERSION MATERIAL : | Steel AISI 316L (food industry) |