



16 I 103 I/E



## PRESSACAVI CABLE GLANDS MAXIbrass®



### INFORMAZIONI GENERALI:

- Materiale: ottone nichelato (CuZn40Pb3)
- Guarnizione: NEOPRENE®
- Griffe di serraggio: POLIAMMIDE PA 6.6
- O-Ring: NITRILE 70 sh A
- Grado di protezione: IP 68 - 5 bar / 30 min.
- Temperatura d'impiego: da - 25°C a +100°C

### GENERAL INFORMATION:

- Material: Nickel plated Brass (CuZn40Pb3)
- Sealing ring: NEOPRENE®
- Cable grip insert: POLYAMIDE PA 6.6
- O-ring: NITRILE 70 sh A
- Protection: IP 68 - 5 bar / 30 min. (LIQUID TIGHT)
- Temperature range: - 25°C to +100°C

### ISTRUZIONI PER L'INSTALLAZIONE:

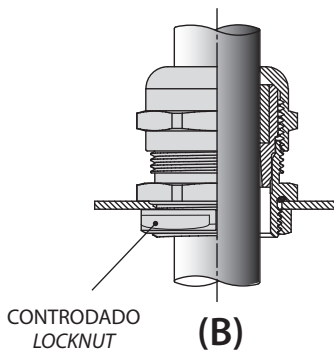
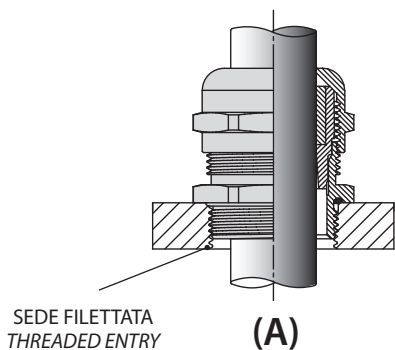
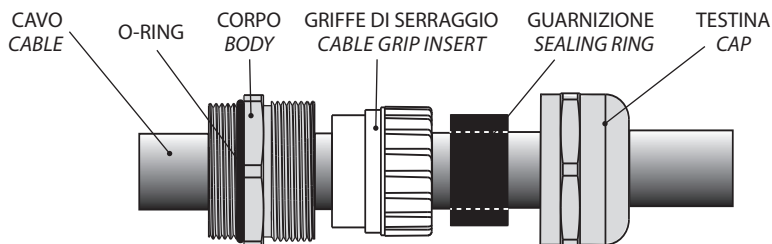
- 1) Avvitare il pressacavo nella sede filettata corrispondente (A) o fissarlo con il controdado (B), senza eccedere nella chiusura.
- 2) Introdurre il cavo all'interno del pressacavo.
- 3) Avvitare la testina finché la guarnizione tocca completamente il cavo.
- 4) Serrare infine il pressacavo e la testina all'accoppiata serraggio indicata in tabella.

### INSTALLATION INSTRUCTIONS:

- 1) Screw the cable gland into an appropriate threaded entry (A) or secure with a locknut (B). Do not over-tighten.
- 2) Pass the cable through the cable gland to the required length.
- 3) Screw on the cap until the sealing ring is in full contact with the cable.
- 4) Torque up the gland and cap to the levels shown in the table overleaf.

USO SENZA CONTRODADO: solo se avvitato a sedi filettate.

USE WITHOUT LOCKNUT: in appropriate threaded entries only





Licence No. 40006472  
and No. 40006474



FILE No. E 220310,  
Control No. 485B



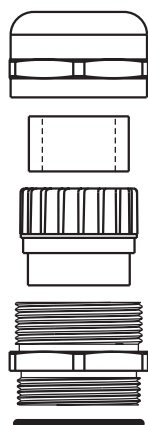
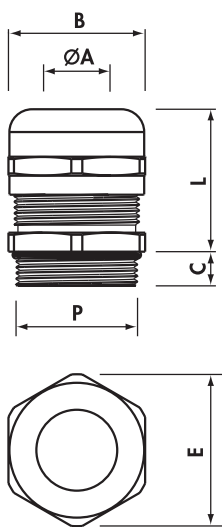
FILE No. E 220310

Con riduzione della forza di trazione.  
With reduced pull force.



Via Serenissima, 9  
25135 Brescia (Italy)  
Tel.: +39 03036921  
Fax: +39 0303365766  
www.cembre.com  
E-MAIL: sales@cembre.com

TIPO REF.	FILETTO THREAD	UL 514B			VALORE TRAZIONE PULL FORCE		EN 62444 CATEGORIA D'IMPATTO IMPACT CATEGORY	MARCHIO MARK		
		Nomiale Nominal	mm	inches	Nm	in-lbs			kg	lb
2900.M12N	2901.M12N	M12x1.5	3-7	0.11-0.28	6	53	2	4.4	5	USR-CNR/VDE
2900.M16N	2901.M16N	M16x1.5	4.5-10	0.18-0.39	6	53	15.9	35	6	USR-CNL/VDE
2900.M20N	2901.M20N	M20x1.5	7-13	0.31-0.51	8	71	15.9	35	6	USR-CNL/VDE
2900.M25N	2901.M25N	M25x1.5	10-17	0.39-0.67	8	71	15.9	35	6	USR-CNL/VDE
2900.M32N	2901.M32N	M32x1.5	11-21	0.43-0.83	12	106	15.9	35	6	USR-CNL/VDE
2900.M40N	2901.M40N	M40x1.5	19-28	0.75-1.10	18	159	15.9	35	6	USR-CNL/VDE
2900.M50N	2901.M50N	M50x1.5	26-35	1.06-1.38	18	159	15.9	35	6	USR-CNL/VDE
2900.M63N	-	M63x1.5	34-45	1.33-1.77	18	159	15.9	35	6	USR-CNL/VDE
2910.M12N	2911.M12N	M12x1.5	1-5	0.08-0.20	6	53	2	4.4	5	USR-CNR/VDE
2910.M16N	2911.M16N	M16x1.5	2.5-7	0.14-0.28	6	53	2	4.4	6	USR-CNR/VDE
2910.M20N	2911.M20N	M20x1.5	5-10	0.20-0.40	8	71	2	4.4	6	USR-CNR/VDE
2910.M25N	2911.M25N	M25x1.5	6-13	0.24-0.51	8	71	2	4.4	6	USR-CNR/VDE
2910.M32N	2911.M32N	M32x1.5	7-14	0.28-0.55	12	106	5	11	6	USR-CNR/VDE
2910.M40N	2911.M40N	M40x1.5	13-23	0.59-0.91	18	159	15.9	35	6	USR-CNL/VDE
2910.M50N	2911.M50N	M50x1.5	20-29	0.79-1.14	18	159	15.9	35	6	USR-CNL/VDE
2910.M63N	-	M63x1.5	27-39	1.10-1.54	18	159	15.9	35	6	USR-CNL/VDE
2900.07N	2901.07N	Pg 7	3-7	0.11-0.28	6.25	55	4	8.8	-	USR-CNR
2900.09N	2901.09N	Pg 9	4-8	0.16-0.31	6.25	55	2	4.4	-	USR-CNR
2900.11N	2901.11N	Pg 11	4.5-10	0.18-0.40	6.25	55	2	4.4	-	USR-CNR
2900.13N	2901.13N	Pg 13.5	5-12	0.35-0.47	6.2	55	15.9	35	-	USL-CNL
2900.16N	2901.16N	Pg 16	7-13	0.39-0.51	7.5	66	15.9	35	-	USL-CNL
2900.21N	2901.21N	Pg 21	10-17	0.47-0.67	10	88.5	15.9	35	-	USL-CNL
2900.29N	2901.29N	Pg 29	18-25	0.71-0.99	15	132.8	15.9	35	-	USL-CNL
2900.36N	2901.36N	Pg 36	22-32	0.87-1.26	25	221.2	15.9	35	-	USL-CNL
2900.42N	2901.42N	Pg 42	28-38	1.10-1.38	25	221.2	15.9	35	-	USL-CNL
2900.48N	-	Pg 48	34-45	1.34-1.77	25	221.2	15.9	35	-	USL-CNL
2910.07N	2911.07N	Pg 7	1-5	0.04-0.20	6.25	55	1.2	2.65	-	USR-CNR
2910.09N	2911.09N	Pg 9	2-6	0.12-0.24	6.25	55	4	2.2	-	USR-CNR
2910.11N	2911.11N	Pg 11	2.5-7	0.14-0.28	6.25	55	1	2.2	-	USR-CNR
2910.13N	2911.13N	Pg 13.5	4-10	0.22-0.39	6.25	55	2	4.4	-	USR-CNR
2910.16N	2911.16N	Pg 16	5-10	0.24-0.39	7.5	66	2	4.4	-	USR-CNR
2910.21N	2911.21N	Pg 21	6-13	0.28-0.51	10	88.5	2.5	6.6	-	USR-CNR
2910.29N	2911.29N	Pg 29	12-20	0.47-0.79	10	88.5	10	22	-	USR-CNR
2910.36N	2911.36N	Pg 36	19-26	0.75-1.02	18	159	15.9	35	-	USL-CNL
2910.42N	2911.42N	Pg 42	24-31	0.95-1.22	18	159	15.9	35	-	USL-CNL
2910.48N	-	Pg 48	27-39	1.22-1.54	25	221.2	15.9	35	-	USL-CNL

**COMPRESSION CABLE GLANDS NICKEL PLATED BRASS  
MAXIBRASS 2900 SERIES - METRIC THREAD**

**MAXIbrass® standard**
**Metric thread M 1.5 pitch CEI EN 60423 CEI EN 50262**

Ref. Nickel Plated Brass	P	Fixing Hole Ø (mm)	Ø A min-max (mm)	B Spanner (mm)	E (mm)	C (mm)	L min-max (mm)	Quantity
2900.M12N	M12x1,5	12,2	3 - 7	16	18	6,5	16-20	100
2900.M16N	M16x1,5	16,2	4,5-10	20	23	7,0	20-25	100
2900.M20N	M20x1,5	20,5	7 -13	24	27	8,0	20-27	50
2900.M25N	M25x1,5	25,4	10 -17	29	32	8,0	24-30	50
2900.M32N	M32x1,5	32,5	11 -21	36	40	9,0	27-34	25
2900.M40N	M40x1,5	40,5	19 -28	45	50	9,0	34-42	10
2900.M50N	M50x1,5	50,5	26 -35	54	60	10,0	35-43	8
2900.M63N	M63x1,5	64,0	34 -45	67	74	15,0	40-52	5

**MAXIbrass® reduced cable entry**
**Metric thread M 1.5 pitch CEI EN 60423 CEI EN 50262**

Ref. Nickel Plated Brass	P	Fixing Hole Ø (mm)	Ø A min-max (mm)	B Spanner (mm)	E (mm)	C (mm)	L min-max (mm)	Quantity
2910.M12N	M12x1,5	12,2	1 - 5	16	18	6,5	16-20	100
2910.M16N	M16x1,5	16,2	2,5- 7	20	23	7,0	20-25	100
2910.M20N	M20x1,5	20,5	5 -10	24	27	8,0	20-27	50
2910.M25N	M25x1,5	25,4	6 -13	29	32	8,0	24-30	50
2910.M32N	M32x1,5	32,5	7 -14	36	40	9,0	27-34	25
2910.M40N	M40x1,5	40,5	13 -23	45	50	9,0	34-42	10
2910.M50N	M50x1,5	50,5	20 -29	54	60	10,0	35-43	8
2910.M63N	M63x1,5	64,0	27 -39	67	74	15,0	40-52	5

**MAXIbrass® extended thread**
**Metric thread M 1.5 pitch CEI EN 60423 CEI EN 50262**

Ref. Nickel Plated Brass	P	Fixing Hole Ø (mm)	Ø A min-max (mm)	B Spanner (mm)	E (mm)	C (mm)	L min-max (mm)	Quantity
2901.M12N	M12x1,5	12,2	3 - 7	16	18	12	16-20	100
2901.M16N	M16x1,5	16,2	4,5-10	20	23	12	20-25	100
2901.M20N	M20x1,5	20,5	7 -13	24	27	12	20-27	50
2901.M25N	M25x1,5	25,4	10 -17	29	32	12	24-30	50
2901.M32N	M32x1,5	32,5	11 -21	36	40	15	27-34	25
2901.M40N	M40x1,5	40,5	19 -28	45	50	15	34-42	10
2901.M50N	M50x1,5	50,5	26 -35	54	60	15	35-43	8

**MAXIbrass® extended thread and reduced cable entry**
**Metric thread M 1.5 pitch CEI EN 60423 CEI EN 50262**

Ref. Nickel Plated Brass	P	Fixing Hole Ø (mm)	Ø A min-max (mm)	B Spanner (mm)	E (mm)	C (mm)	L min-max (mm)	Quantity
2911.M12N	M12x1,5	12,2	1 - 5	16	18	12	16-20	100
2911.M16N	M16x1,5	16,2	2,5- 7	20	23	12	20-25	100
2911.M20N	M20x1,5	20,5	5 -10	24	27	12	20-27	50
2911.M25N	M25x1,5	25,4	6 -13	29	32	12	24-30	50
2911.M32N	M32x1,5	32,5	7 -14	36	40	15	27-34	25
2911.M40N	M40x1,5	40,5	13 -23	45	50	15	34-42	10
2911.M50N	M50x1,5	50,5	20 -29	54	60	15	35-43	8

**Cembre SpA**

Via Serenissima, 9 - 25135 Brescia (Italy)

Tel.: +39 030 36921 - Fax: +39 030 3365766

Web: [www.cembre.com](http://www.cembre.com) - Email: [sales@cembre.com](mailto:sales@cembre.com)

Prepared by: Marketing dept.

Date: 12/07/2018

---

**COMPRESSION CABLE GLANDS NICKEL PLATED BRASS  
MAXIBRASS 2900 SERIES - METRIC THREAD****Technical details:**

PROTECTION :		IP 68 (EN 60529:1991 / CEI 70-1)
MATERIAL :		CuZn39Pb3 Nickel Plated
NICKEL PLATING THICKNESS :		2 ÷ 4 µm
SEALING RING:		NEOPRENE®
TEMPERATURE RANGE :		-25°C ÷ +100°C (continuous)
CABLE GRIP INSERT :		POLYAMIDE PA6.6
O-RING :		Nitrile 70Sh A
IMPACT CATEGORY :	M12	5 (EN 62444:2013)
	M16 ÷ M63	6 (EN 62444:2013)
TORQUE SETTINGS :	M12 and M16	6 Nm
	M20 and M25	8 Nm
	M32	12 Nm
	M40 , M50 and M63	18 Nm

**Marks:****VDE:** *licence Nos 40008472, 4008474, 40008475 e 40008476 (EN 62444:2013)***USL-CNL:** *UL LISTING File No E220310; control No 48SB (UL 514B) valid in USA & Canada***USR-CNR:** *USR-CNR: UL RECOGNITION File No E220310 (UL514B) valid in USA & Canada***Markings:****(EN 62444:2013)****Cembre SpA**

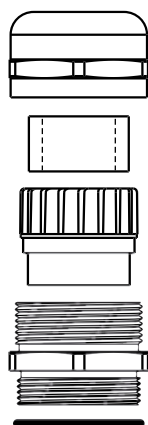
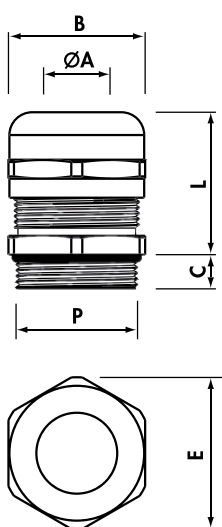
Via Serenissima, 9 - 25135 Brescia (Italy)

Tel.: +39 030 36921 - Fax: +39 030 3365766

Web: [www.cembre.com](http://www.cembre.com) - Email: [sales@cembre.com](mailto:sales@cembre.com)

Prepared by: Marketing dept.

Date: 12/07/2018

**COMPRESSION CABLE GLANDS NICKEL PLATED BRASS  
MAXIBRASS 2900 SERIES - METRIC THREAD**

**MAXIbrass® standard**
**Metric thread M 1.5 pitch CEI EN 60423 CEI EN 50262**

Ref. Nickel Plated Brass	P	Fixing Hole Ø (mm)	Ø A min-max (mm)	B Spanner (mm)	E (mm)	C (mm)	L min-max (mm)	Quantity
2900.M12N	M12X1,5	12,5	3 - 7	16	18	6,5	16-20	100
2900.M16N	M16X1,5	16,5	4,5-10	20	23	7,0	20-25	100
2900.M20N	M20X1,5	20,5	7 -13	24	27	8,0	20-27	50
2900.M25N	M25X1,5	25,5	10 -17	29	32	8,0	24-30	50
2900.M32N	M32X1,5	32,5	11 -21	36	40	9,0	27-34	25
2900.M40N	M40X1,5	40,5	19 -28	45	50	9,0	34-42	10
2900.M50N	M50X1,5	50,5	26 -35	54	60	10,0	35-43	8
2900.M63N	M63X1,5	63,5	34 -45	67	74	15,0	40-52	5

**MAXIbrass® reduced cable entry**
**Metric thread M 1.5 pitch CEI EN 60423 CEI EN 50262**

Ref. Nickel Plated Brass	P	Fixing Hole Ø (mm)	Ø A min-max (mm)	B Spanner (mm)	E (mm)	C (mm)	L min-max (mm)	Quantity
2910.M12N	M12X1,5	12,5	1 - 5	16	18	6,5	16-20	100
2910.M16N	M16X1,5	16,5	2,5- 7	20	23	7,0	20-25	100
2910.M20N	M20X1,5	20,5	5 -10	24	27	8,0	20-27	50
2910.M25N	M25X1,5	25,5	6 -13	29	32	8,0	24-30	50
2910.M32N	M32X1,5	32,5	7 -14	36	40	9,0	27-34	25
2910.M40N	M40X1,5	40,5	13 -23	45	50	9,0	34-42	10
2910.M50N	M50X1,5	50,5	20 -29	54	60	10,0	35-43	8
2910.M63N	M63X1,5	63,5	27 -39	67	74	15,0	40-52	5

**MAXIbrass® extended thread**
**Metric thread M 1.5 pitch CEI EN 60423 CEI EN 50262**

Ref. Nickel Plated Brass	P	Fixing Hole Ø (mm)	Ø A min-max (mm)	B Spanner (mm)	E (mm)	C (mm)	L min-max (mm)	Quantity
2901.M12N	M12X1,5	12,5	3 - 7	16	18	12	16-20	100
2901.M16N	M16X1,5	16,5	4,5-10	20	23	12	20-25	100
2901.M20N	M20X1,5	20,5	7 -13	24	27	12	20-27	50
2901.M25N	M25X1,5	25,5	10 -17	29	32	12	24-30	50
2901.M32N	M32X1,5	32,5	11 -21	36	40	15	27-34	25
2901.M40N	M40X1,5	40,5	19 -28	45	50	15	34-42	10
2901.M50N	M50X1,5	50,5	26 -35	54	60	15	35-43	8

**MAXIbrass® extended thread and reduced cable entry**
**Metric thread M 1.5 pitch CEI EN 60423 CEI EN 50262**

Ref. Nickel Plated Brass	P	Fixing Hole Ø (mm)	Ø A min-max (mm)	B Spanner (mm)	E (mm)	C (mm)	L min-max (mm)	Quantity
2911.M12N	M12X1,5	12,5	1 - 5	16	18	12	16-20	100
2911.M16N	M16X1,5	16,5	2,5- 7	20	23	12	20-25	100
2911.M20N	M20X1,5	20,5	5 -10	24	27	12	20-27	50
2911.M25N	M25X1,5	25,5	6 -13	29	32	12	24-30	50
2911.M32N	M32X1,5	32,5	7 -14	36	40	15	27-34	25
2911.M40N	M40X1,5	40,5	13 -23	45	50	15	34-42	10
2911.M50N	M50X1,5	50,5	20 -29	54	60	15	35-43	8

**Cembre SpA**

Via Serenissima, 9 - 25135 Brescia (Italy)

Tel.: +39 030 36921 - Fax: +39 030 3365766

Web: www.cembre.com - Email: info@cembre.com

Prepared by: Marketing dept.




Date: 09/02/2010

---

**COMPRESSION CABLE GLANDS NICKEL PLATED BRASS  
MAXIBRASS 2900 SERIES - METRIC THREAD****Technical details:**

PROTECTION :		IP 68 (EN 60529:1991 / CEI 70-1)
MATERIAL :		CuZn39Pb3 Nickel Plated
NICKEL PLATING THICKNESS :		2 ÷ 4 µm
SEALING RING:		NEOPRENE®
TEMPERATURE RANGE :		-25°C ÷ +100°C (continuous)
CABLE GRIP INSERT :		POLYAMIDE PA6.6
O-RING :		Nitrile 70Sh A
IMPACT CATEGORY :	M12	5 (EN 50262:1999)
	M16÷ M63	6 (EN 50262:1999)
TORQUE SETTINGS :	M12 and M16	6 Nm
	M20 and M25	8 Nm
	M32	12 Nm
	M40 , M50 and M63	18 Nm

**Marks:**

	<b>VDE:</b>	<b><i>licence Nos 40008472, 4008474, 40008475 e 40008476 (EN 50262: 1999)</i></b>
	<b>USL-CNL:</b>	<b><i>UL LISTING File No E220310; control No 48SB (UL 514B) valid in USA &amp; Canada</i></b>
	<b>USR-CNR:</b>	<b><i>UL RECOGNITION File No E220310 (UL514B) valid in USA &amp; Canada</i></b>

**Markings:**

 **(EN 50262: 1999)**

**Cembre SpA**

Via Serenissima, 9 - 25135 Brescia (Italy)  
Tel.: +39 030 36921 - Fax: +39 030 3365766  
Web: [www.cembre.com](http://www.cembre.com) - Email: [info@cembre.com](mailto:info@cembre.com)

Prepared by: Marketing dept.

Date: 09/02/2010