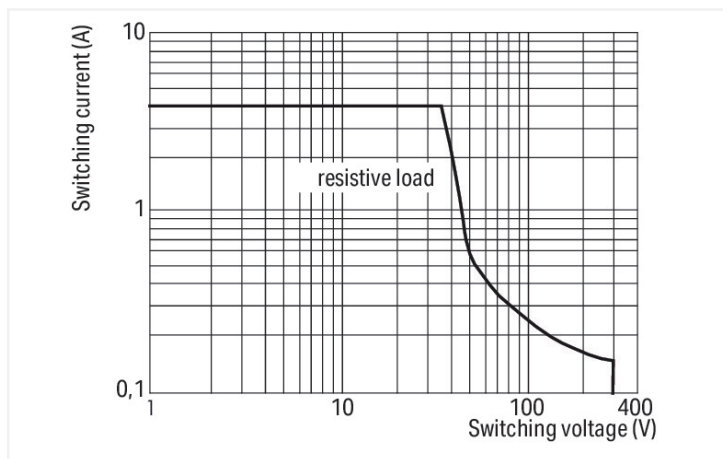
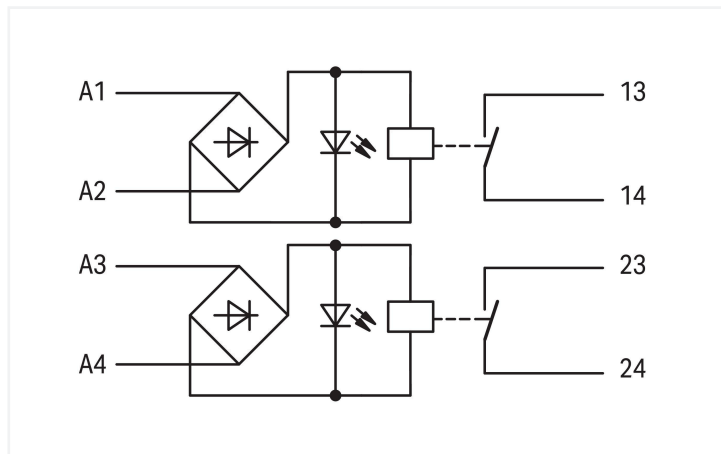
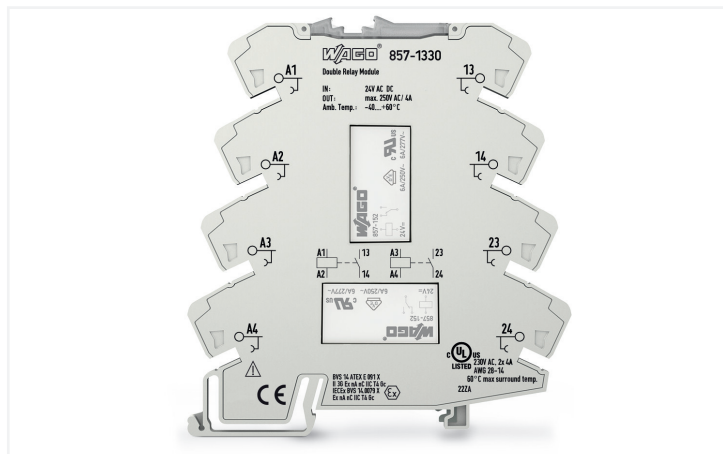


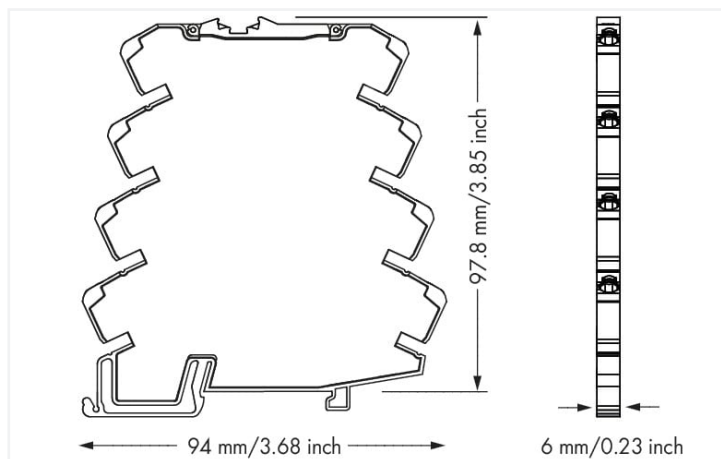
Data Sheet | Item Number: 857-1330

Relay module; 2-port; Nominal input voltage: 24 V AC/DC; 1 make contact; Limiting continuous current: 4 A; Yellow status indicator; Module width: 6 mm; 2,50 mm²

<https://www.wago.com/857-1330>



DC load limit curve



Dimensions in mm

Notes

Note

To protect the relay coils and contacts, inductive loads must be dampened with an effective protection circuit.

Technical data

Control circuit

Nominal input voltage U_N	AC/DC 24 V
Input voltage range	-15 ... +20 %
Nominal input current at U_N	10 mA

Load circuit

Number of make/switch-on contacts	1
Contact material (relay)	AgSnO ₂
Limiting continuous current	4 A
Inrush current (resistive) max.	(AC) 20 A / 0.02 s
Switching voltage (max.)	AC 250 V
Switching power (resistive) max.	AC 1000 VA; DC (see load limit curve)
Switching capacity	AC-15: 3 A / AC 250 V; DC-13: 2 A / DC 24 V
Recommended minimum load	10 V / 10 mA; 24 V / 1 mA
Pull-in time (typ.)	15 ms
Drop-out time (typ.)	25 ms
Bounce time (typ.)	3.5 ms
Electrical life (NO; resistive load; 23 °C)	50 x 10 ⁶ switching operations
Mechanical life	5 x 10 ⁶ switching operations

Load circuit

Switching frequency with/without load (max.)	6 min ⁻¹ / 180 min ⁻¹
--	---

Signaling

Status indicator	Yellow LED
------------------	------------

Safety and protection

Rated voltage	300 V
Overvoltage category	II
Pollution degree	2
Dielectric strength (control/load circuit) (AC, 1 min)	4 kVrms
Dielectric strength (open contact) (AC, 1 min)	1 kVrms
Dielectric strength (channel/channel) (AC, 1 min)	3 kVrms
Insulation type (control/load circuit)	Reinforced insulation (safe isolation)
Insulation type (load/load circuit)	Reinforced insulation (safe isolation)
Insulation type (between adjacent devices of the same type)	Reinforced insulation (safe isolation)
Protection type	IP20

Connection data

Connection technology	Push-in CAGE CLAMP®
Solid conductor	0.34 ... 2.5 mm ² / 22 ... 14 AWG
Fine-stranded conductor	0.34 ... 2.5 mm ² / 22 ... 14 AWG
Fine-stranded conductor; with insulated ferrule	0.34 ... 1.5 mm ² / 22 ... 16 AWG
Strip length	9 ... 10 mm / 0.35 ... 0.39 inches

Physical data

Width	6 mm / 0.236 inches
Height	94 mm / 3.701 inches
Depth from upper-edge of DIN-rail	97.8 mm / 3.85 inches

Mechanical data

Mounting type	DIN-35 rail
Mounting position	horizontal (standing/lying); vertical

Material data

Note (material data)	Information on material specifications can be found here
Insulation material	Polyamide (PA66)
Flammability class per UL94	V0
Fire load	0.363 MJ
Weight	39.3 g

Environmental requirements

Ambient temperature (operation at U _N)	-40 ... +60 °C
Ambient temperature (storage)	-40 ... +70 °C
Processing temperature	-25 ... +50 °C
Temperature range of connection cable	≥ (T _{ambient} + 30 K)
Relative humidity	5 ... 85 % (no condensation permissible)
Operating altitude (max.)	2000 m

Standards and specifications

Standards/specifications	EN 61010-2-201 EN 61810-1 EN 61373 UL 508 ATEX IECEX
--------------------------	---

Commercial data

Product Group	6 (INTERFACE ELECTRONIC)
eCl@ss 10.0	27-37-16-01
eCl@ss 9.0	27-37-16-01
ETIM 8.0	EC001437
ETIM 7.0	EC001437
PU (SPU)	25 (1) pcs
Packaging type	Box
Country of origin	DE
GTIN	4066966380125
Customs tariff number	85364900990

Environmental Product Compliance

CAS-No.	1317-36-8 7439-92-1 79-94-7
REACH Candidate List Substance	2,2',6,6'-tetrabromo-4,4'-isopropylidenediphenol Lead Lead monoxide
RoHS Compliance Status	Compliant,With Exemption
RoHS Exemption	6(c) 7(a) 7(c)-I 7(c)-II
SCIP notification number (Austria)	8168b107-474c-46c7-bde2-d21ca93fa017
SCIP notification number (Belgium)	8336f5b5-9623-4b4a-9d84-5608f27cbb51
SCIP notification number (Bulgaria)	6b676836-8901-4141-9a22-1180742388e6
SCIP notification number (Czech Republic)	397f1ad1-e765-4bf8-9d66-104d825fa1db
SCIP notification number (Denmark)	9517a8e1-c1c6-4000-8546-1e11de060cad
SCIP notification number (Finland)	c325346d-d153-4c59-81ca-648a4633d3e0
SCIP notification number (France)	a864ad96-384b-4309-9cf9-c35c4a2ec507
SCIP notification number (Germany)	c13f5355-76a3-42f0-8654-456cba560b24
SCIP notification number (Hungary)	0058c806-abd0-4e13-b691-146108f6ab40
SCIP notification number (Italy)	94bebbf9-d59b-470d-81e9-a1ac75b96d76
SCIP notification number (Netherlands)	a7b4bb33-bf3e-45d1-a73b-4413764b61ff
SCIP notification number (Poland)	cc097f14-63bd-4bcc-833d-fbfb37478c45
SCIP notification number (Romania)	e57484e5-ec34-489a-b49b-bf8a45d2686a
SCIP notification number (Sweden)	bdad4532-22d1-4f17-a6a2-c395a890e08e

Approvals / Certificates

General approvals



Approval	Standard	Certificate Name
EAC GZO Almaty Standart	TP TC 004/2011	EAC CoC 03078
UL Underwriters Laboratories Inc. (ORDINARY LOCATIONS)	UL 508	E175199 Sec.4

Approvals for hazardous areas



Approval	Standard	Certificate Name
ATEX DEKRA EXAM GmbH	EN 60079-0	BVS_14_ATEX_E_091_X (II 3G Ex ec nC IIC T4 Gc; II 3G Ex ec IIC T4 Gc)
CCC CNEX	CNCA-C23-01	2020312304000757 (Ex ec nC IIC T4 Gc)
IECEX DEKRA EXAM GmbH	IEC 60079-0	IECEX_BVS_14.0079X_Is-sue_3 (Ex ec nC IIC T4 Gc; Ex ec IIC T4 Gc)
UKEx WAGO GmbH & Co. KG	EN 60079-0	UKCA_WA-GO22UKEX002X_ec nC

Downloads

Environmental Product Compliance

Compliance Search

Environmental Product Compliance 857-1330	↓
---	-------------------

Documentation

Bid Text			
857-1330	19.02.2019	xml 4.64 KB	↓
857-1330	20.02.2019	docx 16.04 KB	↓

Instruction Leaflet			
CCC Ex (Additional information)	26.04.2023	pdf 129.88 KB	↓

CAD/CAE-Data

CAD data	
2D/3D Models 857-1330	↓

CAE data	
EPLAN Data Portal 857-1330	↓
WSCAD Universe 857-1330	↓
ZUKEN Portal 857-1330	↓

1 Compatible Products

1.1 Optional Accessories

1.1.1 Ferrule

1.1.1.1 Ferrule



Item No.: 216-241
 Ferrule; Sleeve for 0.5 mm² / 20 AWG; insulated; electro-tin plated; electrolytic copper; gastight crimped; acc. to DIN 46228, Part 4/09.90; white



Item No.: 216-242
 Ferrule; Sleeve for 0.75 mm² / 18 AWG; insulated; electro-tin plated; electrolytic copper; gastight crimped; acc. to DIN 46228, Part 4/09.90; gray



Item No.: 216-243
 Ferrule; Sleeve for 1 mm² / AWG 18; insulated; electro-tin plated; electrolytic copper; gastight crimped; acc. to DIN 46228, Part 4/09.90; red



Item No.: 216-244
 Ferrule; Sleeve for 1.5 mm² / AWG 16; insulated; electro-tin plated; electrolytic copper; gastight crimped; acc. to DIN 46228, Part 4/09.90; black

1.1.2 Jumper

1.1.2.1 Jumper



Item No.: 281-482
 Jumper; 2-way; insulated; gray



Item No.: 859-410/000-006
 Jumper; for jumper slot; 10-way; insulated; blue



Item No.: 859-410
 Jumper; for jumper slot; 10-way; insulated; light gray



Item No.: 859-410/000-005
 Jumper; for jumper slot; 10-way; insulated; red



Item No.: 859-410/000-029
 Jumper; for jumper slot; 10-way; insulated; yellow



Item No.: 859-402/000-006
 Jumper; for jumper slot; 2-way; insulated; blue



Item No.: 859-402
 Jumper; for jumper slot; 2-way; insulated; light gray



Item No.: 859-402/000-005
 Jumper; for jumper slot; 2-way; insulated; red



Item No.: 859-402/000-029
 Jumper; for jumper slot; 2-way; insulated; yellow



Item No.: 859-403/000-006
 Jumper; for jumper slot; 3-way; insulated; blue



Item No.: 859-403
 Jumper; for jumper slot; 3-way; insulated; light gray



Item No.: 859-403/000-005
 Jumper; for jumper slot; 3-way; insulated; red



Item No.: 859-403/000-029
 Jumper; for jumper slot; 3-way; insulated; yellow



Item No.: 859-404/000-006
 Jumper; for jumper slot; 4-way; insulated; blue



Item No.: 859-404
 Jumper; for jumper slot; 4-way; insulated; light gray



Item No.: 859-404/000-005
 Jumper; for jumper slot; 4-way; insulated; red



Item No.: 859-404/000-029
 Jumper; for jumper slot; 4-way; insulated; yellow



Item No.: 859-405/000-006
 Jumper; for jumper slot; 5-way; insulated; blue



Item No.: 859-405
 Jumper; for jumper slot; 5-way; insulated; light gray



Item No.: 859-405/000-005
 Jumper; for jumper slot; 5-way; insulated; red



Item No.: 859-405/000-029
 Jumper; for jumper slot; 5-way; insulated; yellow



Item No.: 859-406/000-006
 Jumper; for jumper slot; 6-way; insulated; blue



Item No.: 859-406
 Jumper; for jumper slot; 6-way; insulated; light gray



Item No.: 859-406/000-005
 Jumper; for jumper slot; 6-way; insulated; red



Item No.: 859-406/000-029
 Jumper; for jumper slot; 6-way; insulated; signal yellow



Item No.: 859-407/000-006
 Jumper; for jumper slot; 7-way; insulated; blue



Item No.: 859-407
 Jumper; for jumper slot; 7-way; insulated; light gray



Item No.: 859-407/000-005
 Jumper; for jumper slot; 7-way; insulated; red



Item No.: 859-407/000-029
 Jumper; for jumper slot; 7-way; insulated; yellow



Item No.: 859-408/000-006
 Jumper; for jumper slot; 8-way; insulated; blue



Item No.: 859-408
 Jumper; for jumper slot; 8-way; insulated; light gray



Item No.: 859-408/000-005
 Jumper; for jumper slot; 8-way; insulated; red



Item No.: 859-408/000-029
 Jumper; for jumper slot; 8-way; insulated; yellow



Item No.: 859-409/000-006
 Jumper; for jumper slot; 9-way; insulated; blue



Item No.: 859-409
 Jumper; for jumper slot; 9-way; insulated; light gray



Item No.: 859-409/000-005
 Jumper; for jumper slot; 9-way; insulated; red

1.1.2.1 Jumper



Item No.: 859-409/000-029

Jumper; for jumper slot; 9-way; insulated; yellow

1.1.3 Marking

1.1.3.1 Double marker carrier



Item No.: 209-128

Adaptor; gray

1.1.3.2 Group marker carrier



Item No.: 249-105

Group marker carrier; gray

1.1.3.3 Marker



Item No.: 209-183

Marker; white



Item No.: 793-5501

WMB marking card; as card; for terminal block width 5 - 17.5 mm; stretchable 5 - 5.2 mm; plain; snap-on type; white



Item No.: 793-502

WMB marking card; as card; MARKED; 1 ... 10 (10x); not stretchable; Horizontal marking; snap-on type; white



Item No.: 793-566

WMB marking card; as card; MARKED; 1 ... 50 (2x); not stretchable; Horizontal marking; snap-on type; white



Item No.: 793-503

WMB marking card; as card; MARKED; 11 ... 20 (10x); not stretchable; Horizontal marking; snap-on type; white



Item No.: 793-504

WMB marking card; as card; MARKED; 21 ... 30 (10x); not stretchable; Horizontal marking; snap-on type; white



Item No.: 793-505

WMB marking card; as card; MARKED; 31 ... 40 (10x); not stretchable; Horizontal marking; snap-on type; white



Item No.: 793-506

WMB marking card; as card; MARKED; 41 ... 50 (10x); not stretchable; Horizontal marking; snap-on type; white



Item No.: 793-501

WMB marking card; as card; not stretchable; plain; snap-on type; white



Item No.: 2009-115

WMB-Inline; for Smart Printer; 1500 pieces on roll; stretchable 5 - 5.2 mm; plain; snap-on type; white

1.1.3.4 Marking device



Item No.: 210-110

Fiber-tip pen

1.1.3.5 Marking strip



Item No.: 2009-110

Marking strips; for Smart Printer; on reel; not stretchable; plain; snap-on type; white

1.1.3.6 Protective marker cover



Item No.: 209-184

Protection cover; transparent

1.1.4 Tool

1.1.4.1 Operating tool

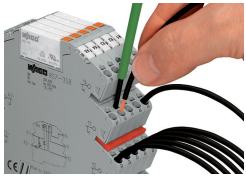


Item No.: 210-720

Operating tool; Blade: 3.5 x 0.5 mm; with a partially insulated shaft; multicoloured

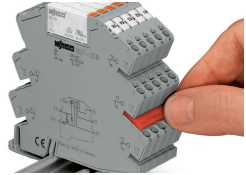
Installation Notes

Conductor termination



Conductor termination

Commoning



Easy commoning using adjacent jumpers

Marking



Marking via WMB Multi Marking System.

Installation



Removing a relay via ejector.

Subject to changes. Please also observe the further product documentation!

Current addresses can be found at: www.wago.com