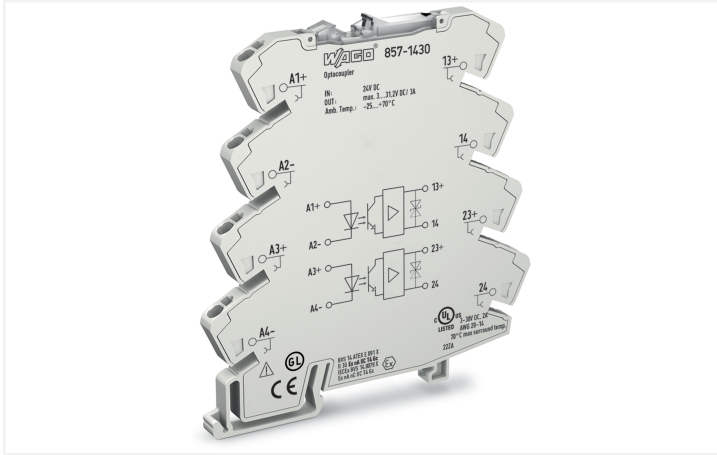


# Data Sheet | Item Number: 857-1430

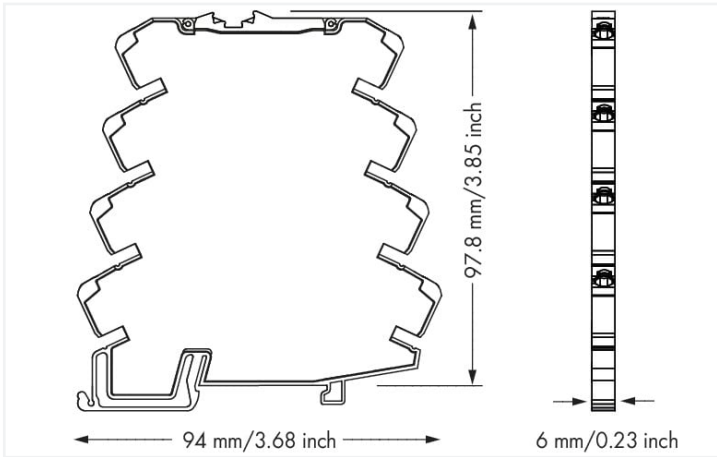
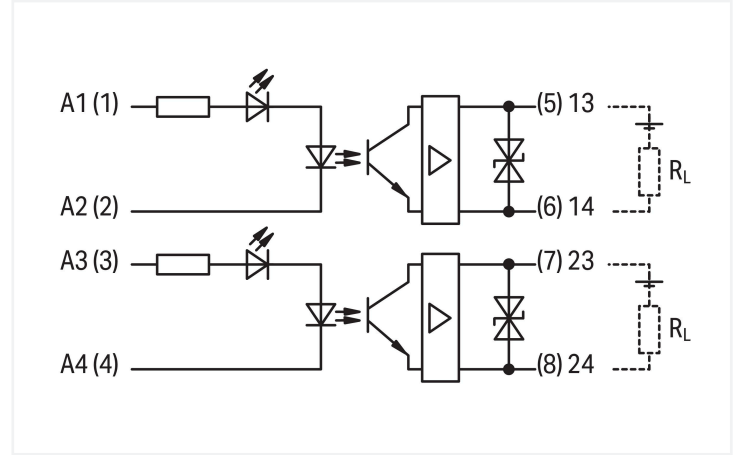
Optocoupler module; 2-port; Nominal input voltage: 24 VDC; Output voltage range: 3 ... 31.2 VDC; Limiting continuous current: 3 A; 2-wire connection; Yellow status indicator; Module width: 6 mm; light gray



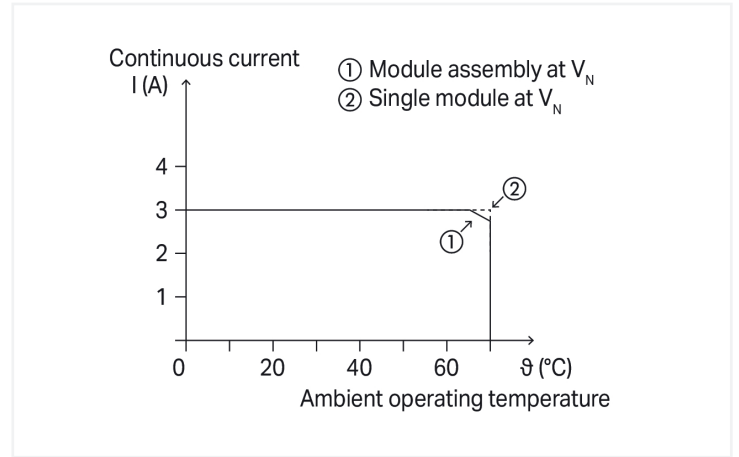
<https://www.wago.com/857-1430>



Color: ■ light gray



Dimensions in mm



Current-carrying capacity curve

## Notes

Note: Optocouplers and solid state relays are designed for use in signal processing networks that are not supplied directly by the low-voltage power supply network.

## Technical data

### Control circuit

Nominal input voltage $U_N$	DC 24 V
Input voltage range (low level)	DC 0 ... 5 V
Input voltage range (high level)	DC 16.8 ... 31.2 V
Nominal input current at $U_N$	8 mA

### Load circuit

Circuit type	2-way 2-wire connection
Limiting continuous current	3 A
Nominal output voltage	DC 24 V
Output voltage range	DC 3 ... 31.2 V
Voltage drop	$\leq 0.2$ VDC
Leakage current at rated voltage	$\leq 250$ $\mu$ A
Turn-on time	$\leq 25$ $\mu$ s
Turn-off time	$\leq 250$ $\mu$ s
Switching frequency	$\leq 300$ Hz
Short circuit protection (load circuit)	3.15 A; Slow (T)

### Signaling

Status indicator	Yellow LED
------------------	------------

### Safety and protection

Rated Voltage	300 V
Overvoltage category	II
Pollution degree	2
Dielectric strength (control/load circuit) (AC, 1 min)	2.5 kVrms
Dielectric strength (channel/channel) (AC, 1 min.)	3.5 kVrms
Insulation type (control/load circuit)	Basic insulation
Insulation type (load/load circuit)	Reinforced insulation (safe isolation)
Insulation type (between adjacent devices of the same type)	Reinforced insulation (safe isolation)
Insulation type (to adjacent devices of different types)	Reinforced insulation (safe isolation)
Protection type	IP20

### Connection data

Connection technology	Push-in CAGE CLAMP®
Solid conductor	0.34 ... 2.5 mm <sup>2</sup> / 22 ... 14 AWG
Fine-stranded conductor	0.34 ... 2.5 mm <sup>2</sup> / 22 ... 14 AWG
Fine-stranded conductor; with insulated ferrule	0.34 ... 1.5 mm <sup>2</sup> / 22 ... 16 AWG
Strip length	9 ... 10 mm / 0.35 ... 0.39 inches

### Physical data

Width	6 mm / 0.236 inches
Height	94 mm / 3.701 inches
Depth from upper-edge of DIN-rail	97.8 mm / 3.85 inches

### Mechanical data

Mounting type	DIN-35 rail
Mounting position	horizontal (standing/lying); vertical

### Material data

Note (material data)	<a href="#">Information on material specifications can be found here</a>
Color	light gray
Insulation material (main housing)	Polyamide (PA66)
Flammability class per UL94	V0
Fire load	0.363 MJ
Weight	32.8 g

### Environmental requirements

Ambient temperature (operation at U <sub>N</sub> )	-25 ... +70 °C
Ambient temperature (storage)	-40 ... +70 °C
Processing temperature	-25 ... +50 °C
Temperature range of connection cable	≥ (T <sub>ambient</sub> + 30 K)
Relative humidity	5 ... 85 % (no condensation permissible)
Operating altitude (max.)	2000 m

### Standards and specifications

Standards/specifications	EN 61000-6-2 EN 61000-6-3 EN 61373 EN 61010-2-201 UL 508 (max. 70 °C/2 A) DNV
--------------------------	--

### Commercial data

Product Group	6 (INTERFACE ELECTRONIC)
eCl@ss 10.0	27-26-15-03
eCl@ss 9.0	27-26-15-03
ETIM 9.0	EC001504
ETIM 8.0	EC001504
PU (SPU)	25 (1) pcs
Packaging type	Box
Country of origin	DE
GTIN	4050821451587
Customs tariff number	85365005000

### Environmental Product Compliance

CAS-No.	1303-86-2 1317-36-8 7439-92-1 79-94-7
REACH Candidate List Substance	2,2',6,6'-tetrabromo-4,4'-isopropylidenediphenol Diboron trioxide Lead Lead monoxide
RoHS Compliance Status	Compliant,With Exemption
RoHS Exemption	6(c) 7(a) 7(c)-I 7(c)-II
SCIP notification number (Austria)	7be5277c-4769-437b-ac37-9ccb15dee449
SCIP notification number (Belgium)	7a08602f-6e22-4743-aa55-483e71a8147a
SCIP notification number (Bulgaria)	2c4bc710-e6d3-42da-89dc-a43c4549be01
SCIP notification number (Czech Republic)	d9d876e5-a5f9-43b1-b0d8-2a867c68093e
SCIP notification number (Denmark)	7ed03745-475f-4d76-9946-29517426cf1a
SCIP notification number (Finland)	210d4573-9c78-4b73-b42c-602be9bab4b1
SCIP notification number (France)	7d28594d-b673-4142-8334-0cf9f07060c7
SCIP notification number (Germany)	b6d067ad-1fd0-40d1-9066-62a3bfa0f99e
SCIP notification number (Hungary)	235e6cb9-cdef-42ff-b68e-c7b20968689b
SCIP notification number (Italy)	48f3cdda-333b-4364-b039-00947409dd65
SCIP notification number (Netherlands)	4ecba9a5-ea21-462f-8c13-e30b2cfa7980
SCIP notification number (Poland)	2c586d49-820a-4faf-9151-f6effbfbf74b
SCIP notification number (Romania)	d7f6abbb-acda-4605-a1cd-5eaa83bcbd2a
SCIP notification number (Sweden)	29327227-3067-4519-87a2-4db1f2e05509

Approvals / Certificates

General approvals



Approval	Standard	Certificate Name
EAC GZO Almaty Standart	TP TC 020/2011	EAC CoC 03081
UL Underwriters Laboratories Inc. (ORDINARY LOCATIONS)	UL 508	E175199 Sec.4

Declarations of conformity and manufacturer's declarations

Approval	Standard	Certificate Name
EU-Declaration of Conformity WAGO GmbH & Co. KG	-	-

Approvals for marine applications



Approval	Standard	Certificate Name
BV Bureau Veritas S.A.	Rules for class. of Steel Ships	40179_B0
DNV DNV Germany GmbH	DNV-CG-0339, Aug. 2021	TAA00001D1

Approvals for hazardous areas



Approval	Standard	Certificate Name
ATEX DEKRA EXAM GmbH	EN 60079-0	BVS_14_ATEX_E_091_X (II 3G Ex ec nC IIC T4 Gc; II 3G Ex ec IIC T4 Gc)
CCC CNEX	CNCA-C23-01	2020312304000757 (Ex ec IIC T4 Gc)
IECEX DEKRA EXAM GmbH	IEC 60079-0	IECEX_BVS_14.0079X_issue_3 (Ex ec nC IIC T4 Gc; Ex ec IIC T4 Gc)
UKEx WAGO GmbH & Co. KG	EN 60079-0	WAGO22UKEX002X_ec

Downloads

Environmental Product Compliance

Compliance Search

Environmental Product Compliance 857-1430	↓
---	---

Documentation

Bid Text			
857-1430	19.02.2019	xml 3.86 KB	↓
857-1430	20.02.2019	docx 16.09 KB	↓

Instruction Leaflet			
CCC Ex (Additional information)	26.04.2023	pdf 129.88 KB	↓

CAD/CAE-Data

CAD data

2D/3D Models  
857-1430



CAE data

EPLAN Data Portal  
857-1430



WSCAD Universe  
857-1430



ZUKEN Portal  
857-1430



1 Compatible Products

1.1 Optional Accessories

1.1.1 Ferrule

1.1.1.1 Ferrule



[Item No.: 216-241](#)

Ferrule; Sleeve for 0.5 mm<sup>2</sup> / 20 AWG; insulated; electro-tin plated; electrolytic copper; gastight crimped; acc. to DIN 46228, Part 4/09.90; white

[Item No.: 216-242](#)

Ferrule; Sleeve for 0.75 mm<sup>2</sup> / 18 AWG; insulated; electro-tin plated; electrolytic copper; gastight crimped; acc. to DIN 46228, Part 4/09.90; gray

[Item No.: 216-243](#)

Ferrule; Sleeve for 1 mm<sup>2</sup> / AWG 18; insulated; electro-tin plated; electrolytic copper; gastight crimped; acc. to DIN 46228, Part 4/09.90; red

[Item No.: 216-244](#)

Ferrule; Sleeve for 1.5 mm<sup>2</sup> / AWG 16; insulated; electro-tin plated; electrolytic copper; gastight crimped; acc. to DIN 46228, Part 4/09.90; black

1.1.2 Jumper

1.1.2.1 Jumper



[Item No.: 281-482](#)

Jumper; 2-way; insulated; gray

[Item No.: 859-410/000-006](#)

Jumper; for jumper slot; 10-way; insulated; blue

[Item No.: 859-410](#)

Jumper; for jumper slot; 10-way; insulated; light gray

[Item No.: 859-410/000-005](#)

Jumper; for jumper slot; 10-way; insulated; red



[Item No.: 859-410/000-029](#)

Jumper; for jumper slot; 10-way; insulated; yellow

[Item No.: 859-402/000-006](#)

Jumper; for jumper slot; 2-way; insulated; blue

[Item No.: 859-402](#)

Jumper; for jumper slot; 2-way; insulated; light gray

[Item No.: 859-402/000-005](#)

Jumper; for jumper slot; 2-way; insulated; red



[Item No.: 859-402/000-029](#)

Jumper; for jumper slot; 2-way; insulated; yellow

[Item No.: 859-403/000-006](#)

Jumper; for jumper slot; 3-way; insulated; blue

[Item No.: 859-403](#)

Jumper; for jumper slot; 3-way; insulated; light gray

[Item No.: 859-403/000-005](#)

Jumper; for jumper slot; 3-way; insulated; red



[Item No.: 859-403/000-029](#)

Jumper; for jumper slot; 3-way; insulated; yellow

[Item No.: 859-404/000-006](#)

Jumper; for jumper slot; 4-way; insulated; blue

[Item No.: 859-404](#)

Jumper; for jumper slot; 4-way; insulated; light gray

[Item No.: 859-404/000-005](#)

Jumper; for jumper slot; 4-way; insulated; red



[Item No.: 859-404/000-029](#)

Jumper; for jumper slot; 4-way; insulated; yellow

[Item No.: 859-405/000-006](#)

Jumper; for jumper slot; 5-way; insulated; blue

[Item No.: 859-405](#)

Jumper; for jumper slot; 5-way; insulated; light gray

[Item No.: 859-405/000-005](#)

Jumper; for jumper slot; 5-way; insulated; red



[Item No.: 859-405/000-029](#)

Jumper; for jumper slot; 5-way; insulated; yellow

[Item No.: 859-406/000-006](#)

Jumper; for jumper slot; 6-way; insulated; blue

[Item No.: 859-406](#)

Jumper; for jumper slot; 6-way; insulated; light gray

[Item No.: 859-406/000-005](#)

Jumper; for jumper slot; 6-way; insulated; red

1.1.2.1 Jumper



**Item No.: 859-406/000-029**  
Jumper; for jumper slot; 6-way; insulated; signal yellow

**Item No.: 859-407/000-006**  
Jumper; for jumper slot; 7-way; insulated; blue

**Item No.: 859-407**  
Jumper; for jumper slot; 7-way; insulated; light gray

**Item No.: 859-407/000-005**  
Jumper; for jumper slot; 7-way; insulated; red



**Item No.: 859-407/000-029**  
Jumper; for jumper slot; 7-way; insulated; yellow

**Item No.: 859-408/000-006**  
Jumper; for jumper slot; 8-way; insulated; blue

**Item No.: 859-408**  
Jumper; for jumper slot; 8-way; insulated; light gray

**Item No.: 859-408/000-005**  
Jumper; for jumper slot; 8-way; insulated; red



**Item No.: 859-408/000-029**  
Jumper; for jumper slot; 8-way; insulated; yellow

**Item No.: 859-409/000-006**  
Jumper; for jumper slot; 9-way; insulated; blue

**Item No.: 859-409**  
Jumper; for jumper slot; 9-way; insulated; light gray

**Item No.: 859-409/000-005**  
Jumper; for jumper slot; 9-way; insulated; red



**Item No.: 859-409/000-029**  
Jumper; for jumper slot; 9-way; insulated; yellow

1.1.3 Marking

1.1.3.1 Double marker carrier



**Item No.: 209-128**  
Adaptor; gray

1.1.3.2 Group marker carrier



**Item No.: 249-105**  
Group marker carrier; gray

1.1.3.3 Marker



**Item No.: 209-183**  
Marker; white

**Item No.: 793-5501**  
WMB marking card; as card; for terminal block width 5 - 17.5 mm; stretchable 5 - 5.2 mm; plain; snap-on type; white

**Item No.: 793-502**  
WMB marking card; as card; MARKED; 1 ... 10 (10x); not stretchable; Horizontal marking; snap-on type; white

**Item No.: 793-566**  
WMB marking card; as card; MARKED; 1 ... 50 (2x); not stretchable; Horizontal marking; snap-on type; white



**Item No.: 793-503**  
WMB marking card; as card; MARKED; 11 ... 20 (10x); not stretchable; Horizontal marking; snap-on type; white

**Item No.: 793-504**  
WMB marking card; as card; MARKED; 21 ... 30 (10x); not stretchable; Horizontal marking; snap-on type; white

**Item No.: 793-505**  
WMB marking card; as card; MARKED; 31 ... 40 (10x); not stretchable; Horizontal marking; snap-on type; white

**Item No.: 793-506**  
WMB marking card; as card; MARKED; 41 ... 50 (10x); not stretchable; Horizontal marking; snap-on type; white



**Item No.: 793-501**  
WMB marking card; as card; not stretchable; plain; snap-on type; white

**Item No.: 2009-115**  
WMB-Inline; for Smart Printer; 1500 pieces on roll; stretchable 5 - 5.2 mm; plain; snap-on type; white

### 1.1.3.4 Marking device



**Item No.: 210-110**

Fiber-tip pen

### 1.1.3.5 Marking strip



**Item No.: 2009-110**

Marking strips; for Smart Printer; on reel; not stretchable; plain; snap-on type; white

### 1.1.3.6 Protective marker cover



**Item No.: 209-184**

Protection cover; transparent

## 1.1.4 Tool

### 1.1.4.1 Operating tool

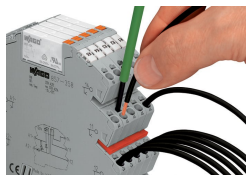


**Item No.: 210-720**

Operating tool; Blade: 3.5 x 0.5 mm; with a partially insulated shaft; multicoloured

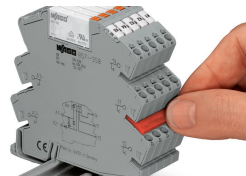
## Installation Notes

### Conductor termination



Conductor termination

### Commoning



Easy commoning using adjacent jumpers

## Marking



Marking via WMB Multi Marking System.