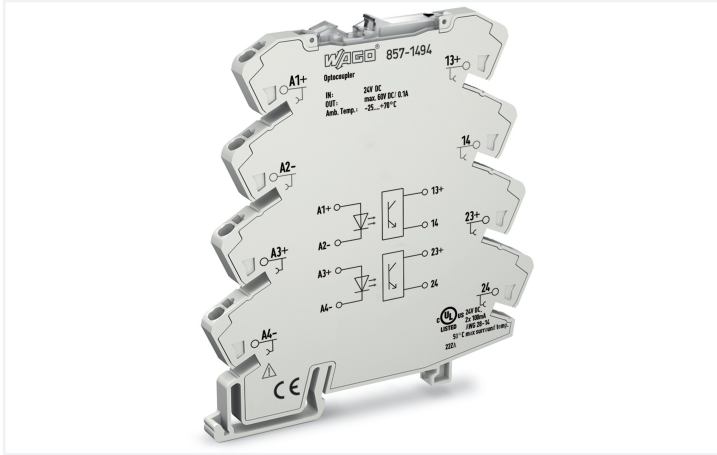


# Data Sheet | Item Number: 857-1494

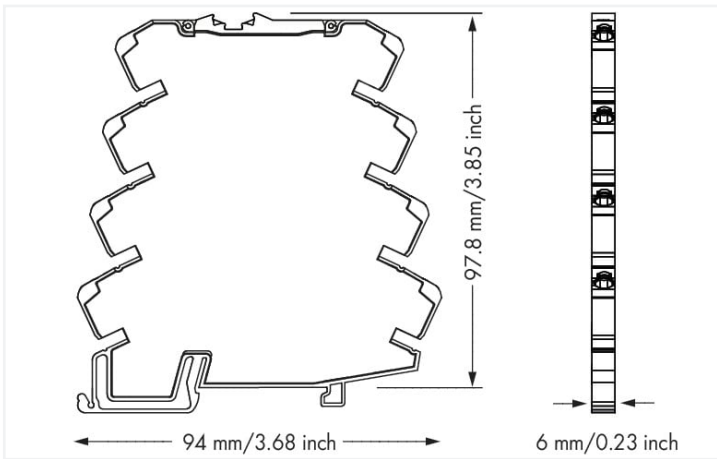
Optocoupler module; 2-port; Nominal input voltage: 24 VDC; Output voltage range: 9 ... 60 VDC; Limiting continuous current: 0.1 A; 2-wire connection; Yellow status indicator; Module width: 6 mm



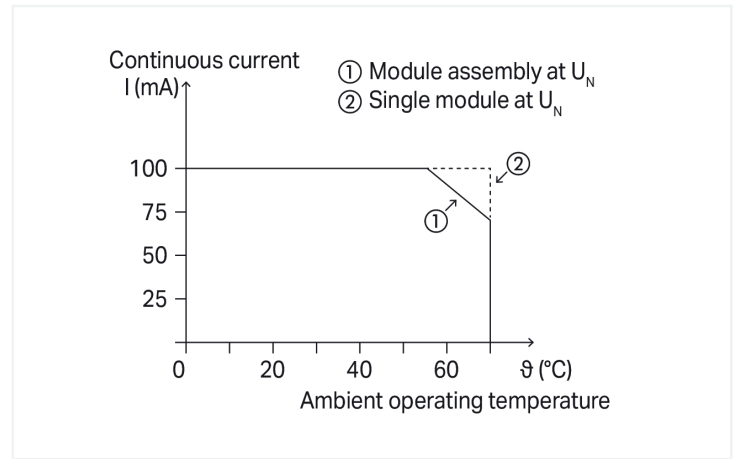
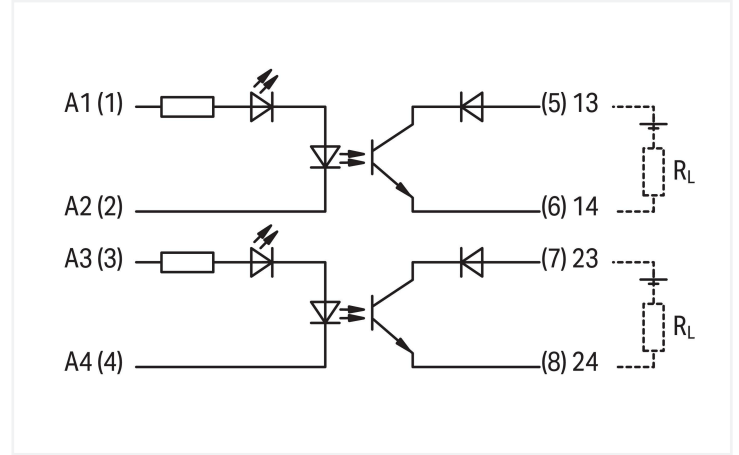
<https://www.wago.com/857-1494>



Color: ■ light gray



Dimensions in mm



Current-carrying capacity curve

**Notes**  
 Note: Optocouplers and solid state relays are designed for use in signal processing networks that are not supplied directly by the low-voltage power supply network.

Technical data		Load circuit	
<b>Control circuit</b>		<b>Load circuit</b>	
Nominal input voltage $U_N$	DC 24 V	Circuit type	2-way 2-wire connection
Input voltage range (low level)	DC 0 ... 5 V	Limiting continuous current	0.1 A
Input voltage range (high level)	DC 16.8 ... 31.2 V	Nominal output voltage	DC 24 V
Nominal input current at $U_N$	6 mA	Output voltage range	DC 9 ... 60 V
		Voltage drop	$\leq 2$ VDC
		Leakage current at rated voltage	$\leq 25 \mu\text{A}$
		Turn-on time	$\leq 20 \mu\text{s}$
		Turn-off time	$\leq 120 \mu\text{s}$
		Switching frequency	$\leq 1.5$ kHz

### Signaling

Status indicator	Yellow LED
------------------	------------

### Safety and protection

Rated Voltage	300 V
Overvoltage category	II
Pollution degree	2
Dielectric strength (control/load circuit) (AC, 1 min)	2.5 kVrms
Dielectric strength (channel/channel) (AC, 1 min.)	3.5 kVrms
Insulation type (control/load circuit)	Basic insulation
Insulation type (load/load circuit)	Reinforced insulation (safe isolation)
Insulation type (between adjacent devices of the same type)	Reinforced insulation (safe isolation)
Insulation type (to adjacent devices of different types)	Reinforced insulation (safe isolation)
Protection type	IP20

### Connection data

Connection technology	Push-in CAGE CLAMP®
Solid conductor	0.34 ... 2.5 mm <sup>2</sup> / 22 ... 14 AWG
Fine-stranded conductor	0.34 ... 2.5 mm <sup>2</sup> / 22 ... 14 AWG
Fine-stranded conductor; with insulated ferrule	0.34 ... 1.5 mm <sup>2</sup> / 22 ... 16 AWG
Strip length	9 ... 10 mm / 0.35 ... 0.39 inches

### Physical data

Width	6 mm / 0.236 inches
Height	94 mm / 3.701 inches
Depth from upper-edge of DIN-rail	97.8 mm / 3.85 inches

### Mechanical data

Mounting type	DIN-35 rail
Mounting position	horizontal (standing/lying); vertical

### Material data

Note (material data)	<a href="#">Information on material specifications can be found here</a>
Color	light gray
Insulation material (main housing)	Polyamide (PA66)
Flammability class per UL94	V0
Fire load	0.363 MJ
Weight	30.2 g

### Environmental requirements

Ambient temperature (operation at U <sub>N</sub> )	-25 ... +70 °C
Ambient temperature (storage)	-40 ... +70 °C
Processing temperature	-25 ... +50 °C
Temperature range of connection cable	≥ (T <sub>ambient</sub> + 30 K)
Relative humidity	5 ... 85 % (no condensation permissible)
Operating altitude (max.)	2000 m

## Standards and specifications

Standards/specifications	EN 61000-6-2 EN 61000-6-3 EN 61373 EN 61010-2-201 UL 508 (max. 50 °C/0.1 A)
--------------------------	---

## Commercial data

Product Group	6 (INTERFACE ELECTRONIC)
eCl@ss 10.0	27-26-15-03
eCl@ss 9.0	27-26-15-03
ETIM 9.0	EC001504
ETIM 8.0	EC001504
PU (SPU)	25 (1) pcs
Packaging type	Box
Country of origin	DE
GTIN	4050821099826
Customs tariff number	85365005000

## Environmental Product Compliance

CAS-No.	1303-86-2 7439-92-1 79-94-7
REACH Candidate List Substance	2,2',6,6'-tetrabromo-4,4'-isopropylidenediphenol Diboron trioxide Lead
RoHS Compliance Status	Compliant,With Exemption
RoHS Exemption	6(c) 7(a) 7(c)-I 7(c)-II
SCIP notification number (Austria)	57af3319-7444-4d94-bb8d-34aae68f8577
SCIP notification number (Belgium)	7199ffe9-a6d2-4bb7-bd33-6129e2fb2796
SCIP notification number (Bulgaria)	5bacf8a7-5d2c-4a5b-9f23-2bbe1416c90d
SCIP notification number (Czech Republic)	0189ecbe-86bf-45f1-9d0e-03ccec53e7a
SCIP notification number (Denmark)	62acd2db-7378-4866-bf71-36146db353de
SCIP notification number (Finland)	66bb701c-6f24-479a-a745-54ab521963c9
SCIP notification number (France)	90bd5d27-278a-47f0-859f-e0097af59d89
SCIP notification number (Germany)	cf78282a-1783-4949-9543-70fbac4c523f
SCIP notification number (Hungary)	00616b1a-952c-472a-96de-13608552a86b
SCIP notification number (Italy)	9db7e0b9-eaf8-459d-bdbf-70098daca42b
SCIP notification number (Netherlands)	5f8afb96-d02e-44a1-8a10-0bb1806b8d1c
SCIP notification number (Poland)	d4793033-cf0f-4d48-82c7-8b4c68e1bf56
SCIP notification number (Romania)	17ce3d30-ddb9-4e4c-a240-9fa4bec94c59
SCIP notification number (Sweden)	60fa49bd-797c-40fe-b4f2-dcd3523ccf81

Approvals / Certificates

General approvals



Approval	Standard	Certificate Name
EAC GZO Almaty Standart	TP TC 020/2011	EAC CoC 03081
UL Underwriters Laboratories Inc. (ORDINARY LOCATIONS)	UL 508	E175199 Sec.4

Downloads

Environmental Product Compliance

Compliance Search

Environmental Product  
Compliance 857-1494



Documentation

Bid Text

857-1494	19.02.2019	xml 3.86 KB	
857-1494	20.02.2019	docx 15.93 KB	

CAD/CAE-Data

CAD data

2D/3D Models  
857-1494



CAE data

EPLAN Data Portal  
857-1494



WSCAD Universe  
857-1494



ZUKEN Portal  
857-1494



1 Compatible Products

1.1 Optional Accessories

1.1.1 Ferrule

1.1.1.1 Ferrule



**Item No.: 216-241**  
 Ferrule; Sleeve for 0.5 mm<sup>2</sup> / 20 AWG; insulated; electro-tin plated; electrolytic copper; gastight crimped; acc. to DIN 46228, Part 4/09.90; white



**Item No.: 216-242**  
 Ferrule; Sleeve for 0.75 mm<sup>2</sup> / 18 AWG; insulated; electro-tin plated; electrolytic copper; gastight crimped; acc. to DIN 46228, Part 4/09.90; gray



**Item No.: 216-243**  
 Ferrule; Sleeve for 1 mm<sup>2</sup> / AWG 18; insulated; electro-tin plated; electrolytic copper; gastight crimped; acc. to DIN 46228, Part 4/09.90; red



**Item No.: 216-244**  
 Ferrule; Sleeve for 1.5 mm<sup>2</sup> / AWG 16; insulated; electro-tin plated; electrolytic copper; gastight crimped; acc. to DIN 46228, Part 4/09.90; black

1.1.2 Jumper

1.1.2.1 Jumper



**Item No.: 281-482**  
 Jumper; 2-way; insulated; gray



**Item No.: 859-410/000-006**  
 Jumper; for jumper slot; 10-way; insulated; blue



**Item No.: 859-410**  
 Jumper; for jumper slot; 10-way; insulated; light gray



**Item No.: 859-410/000-005**  
 Jumper; for jumper slot; 10-way; insulated; red



**Item No.: 859-410/000-029**  
 Jumper; for jumper slot; 10-way; insulated; yellow



**Item No.: 859-402/000-006**  
 Jumper; for jumper slot; 2-way; insulated; blue



**Item No.: 859-402**  
 Jumper; for jumper slot; 2-way; insulated; light gray



**Item No.: 859-402/000-005**  
 Jumper; for jumper slot; 2-way; insulated; red



**Item No.: 859-402/000-029**  
 Jumper; for jumper slot; 2-way; insulated; yellow



**Item No.: 859-403/000-006**  
 Jumper; for jumper slot; 3-way; insulated; blue



**Item No.: 859-403**  
 Jumper; for jumper slot; 3-way; insulated; light gray



**Item No.: 859-403/000-005**  
 Jumper; for jumper slot; 3-way; insulated; red



**Item No.: 859-403/000-029**  
 Jumper; for jumper slot; 3-way; insulated; yellow



**Item No.: 859-404/000-006**  
 Jumper; for jumper slot; 4-way; insulated; blue



**Item No.: 859-404**  
 Jumper; for jumper slot; 4-way; insulated; light gray



**Item No.: 859-404/000-005**  
 Jumper; for jumper slot; 4-way; insulated; red



**Item No.: 859-404/000-029**  
 Jumper; for jumper slot; 4-way; insulated; yellow



**Item No.: 859-405/000-006**  
 Jumper; for jumper slot; 5-way; insulated; blue



**Item No.: 859-405**  
 Jumper; for jumper slot; 5-way; insulated; light gray



**Item No.: 859-405/000-005**  
 Jumper; for jumper slot; 5-way; insulated; red



**Item No.: 859-405/000-029**  
 Jumper; for jumper slot; 5-way; insulated; yellow



**Item No.: 859-406/000-006**  
 Jumper; for jumper slot; 6-way; insulated; blue



**Item No.: 859-406**  
 Jumper; for jumper slot; 6-way; insulated; light gray



**Item No.: 859-406/000-005**  
 Jumper; for jumper slot; 6-way; insulated; red



**Item No.: 859-406/000-029**  
 Jumper; for jumper slot; 6-way; insulated; signal yellow



**Item No.: 859-407/000-006**  
 Jumper; for jumper slot; 7-way; insulated; blue



**Item No.: 859-407**  
 Jumper; for jumper slot; 7-way; insulated; light gray



**Item No.: 859-407/000-005**  
 Jumper; for jumper slot; 7-way; insulated; red



**Item No.: 859-407/000-029**  
 Jumper; for jumper slot; 7-way; insulated; yellow



**Item No.: 859-408/000-006**  
 Jumper; for jumper slot; 8-way; insulated; blue



**Item No.: 859-408**  
 Jumper; for jumper slot; 8-way; insulated; light gray



**Item No.: 859-408/000-005**  
 Jumper; for jumper slot; 8-way; insulated; red



**Item No.: 859-408/000-029**  
 Jumper; for jumper slot; 8-way; insulated; yellow



**Item No.: 859-409/000-006**  
 Jumper; for jumper slot; 9-way; insulated; blue



**Item No.: 859-409**  
 Jumper; for jumper slot; 9-way; insulated; light gray



**Item No.: 859-409/000-005**  
 Jumper; for jumper slot; 9-way; insulated; red

1.1.2.1 Jumper



**Item No.: 859-409/000-029**  
 Jumper; for jumper slot; 9-way; insulated; yellow

1.1.3 Marking

1.1.3.1 Double marker carrier



**Item No.: 209-128**  
 Adaptor; gray

1.1.3.2 Group marker carrier



**Item No.: 249-105**  
 Group marker carrier; gray

1.1.3.3 Marker



**Item No.: 209-183**  
 Marker; white



**Item No.: 793-5501**  
 WMB marking card; as card; for terminal block width 5 - 17.5 mm; stretchable 5 - 5.2 mm; plain; snap-on type; white



**Item No.: 793-502**  
 WMB marking card; as card; MARKED; 1 ... 10 (10x); not stretchable; Horizontal marking; snap-on type; white



**Item No.: 793-566**  
 WMB marking card; as card; MARKED; 1 ... 50 (2x); not stretchable; Horizontal marking; snap-on type; white



**Item No.: 793-503**  
 WMB marking card; as card; MARKED; 11 ... 20 (10x); not stretchable; Horizontal marking; snap-on type; white



**Item No.: 793-504**  
 WMB marking card; as card; MARKED; 21 ... 30 (10x); not stretchable; Horizontal marking; snap-on type; white



**Item No.: 793-505**  
 WMB marking card; as card; MARKED; 31 ... 40 (10x); not stretchable; Horizontal marking; snap-on type; white



**Item No.: 793-506**  
 WMB marking card; as card; MARKED; 41 ... 50 (10x); not stretchable; Horizontal marking; snap-on type; white



**Item No.: 793-501**  
 WMB marking card; as card; not stretchable; plain; snap-on type; white



**Item No.: 2009-115**  
 WMB-Inline; for Smart Printer; 1500 pieces on roll; stretchable 5 - 5.2 mm; plain; snap-on type; white

1.1.3.4 Marking device



**Item No.: 210-110**  
 Fiber-tip pen

1.1.3.5 Marking strip



**Item No.: 2009-110**  
 Marking strips; for Smart Printer; on reel; not stretchable; plain; snap-on type; white

### 1.1.3.6 Protective marker cover



Item No.: 209-184

Protection cover; transparent

### 1.1.4 Tool

#### 1.1.4.1 Operating tool

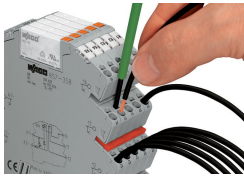


Item No.: 210-720

Operating tool; Blade: 3.5 x 0.5 mm; with a partially insulated shaft; multicoloured

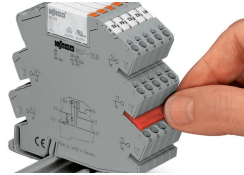
## Installation Notes

### Conductor termination



Conductor termination

### Commoning



Easy commoning using adjacent jumpers

### Marking



Marking via WMB Multi Marking System.