

# Data Sheet | Item Number: 857-368/006-000

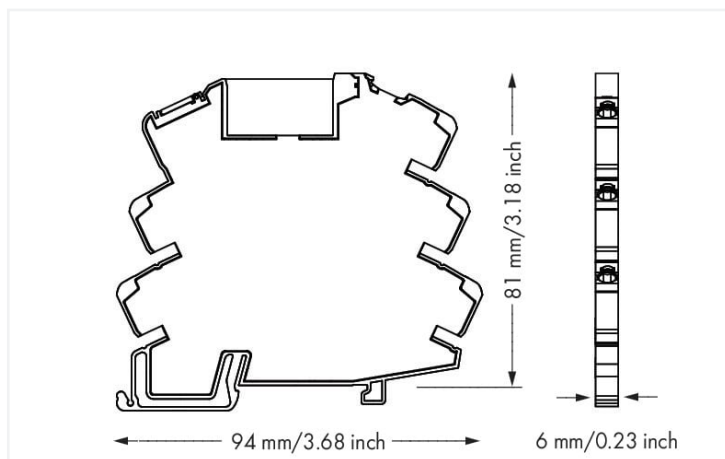
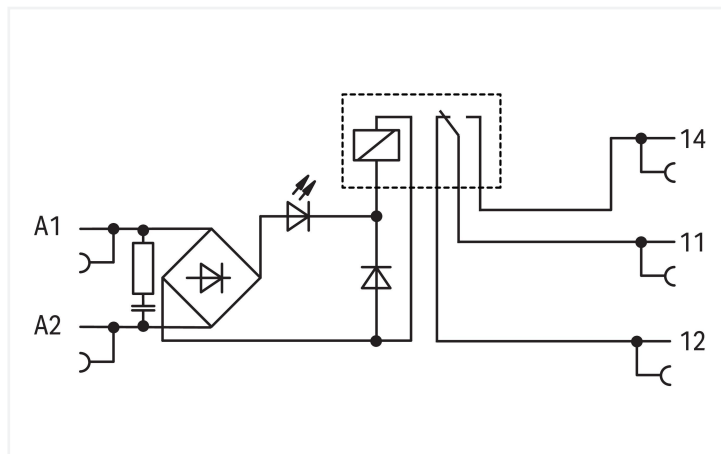
Relay module; Nominal input voltage: 230 VAC; 1 changeover contact; Limiting continuous current: 6 A; with gold contacts; with integrated base load module; Yellow status indicator; Module width: 6 mm; 2,50 mm<sup>2</sup>; gray



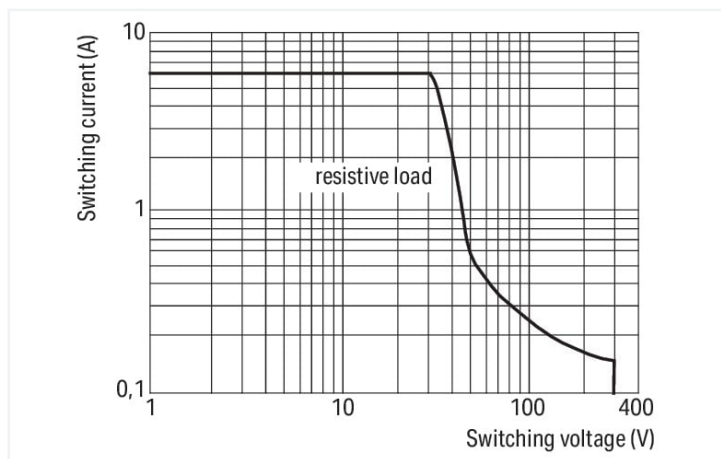
<https://www.wago.com/857-368/006-000>



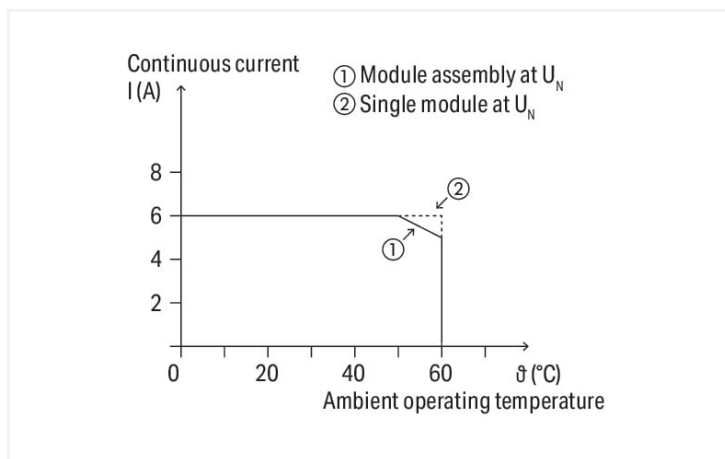
Color: ■ gray



Dimensions in mm



DC load limit curve



Current-carrying capacity curve

## Notes

|                    |   |
|--------------------|---|
| Safety Information | Adjacent devices of the same type are devices of the same design (series) that are arranged next to one another on the DIN-rail with the same orientation. An end stop (249-116) must be fitted to devices of other types for compliance with the reinforced insulation requirements.   |
| Note               | To prevent damaging the gold layer, 30 V switching voltages and 50 mA currents must not be exceeded. Higher switching power eventually evaporates the gold layer. The resulting deposits in the housing may reduce service life.<br>To protect the relay coils and contacts, inductive loads must be dampened with an effective protection circuit. |

## Technical data

| Control circuit                         |   | Load circuit                                 |   |
|---|---|--|---|
| Nominal input voltage $U_N$             | AC 230 V                                      | Number of changeover/switchover contacts     | 1   |
| Input voltage range                     | -15 ... +10 %                                 | Contact material (relay)                     | AgNi + Au                                   |
| Nominal input current at $U_N$          | 16 mA   | Limiting continuous current                  | 6 A   |
| Line capacitance (max.)                 | 170 nF  | Inrush current (resistive) max.              | (AC) 20 A / 0.02 s                          |
| Cable length (control circuit)          | ≤ 350 m (for a line capacitance of 330 nF/km) | Switching Voltage, Max.                      | AC 250 V                                    |
| Nominal frequency range (input voltage) | 50 ... 60 HzAC                                | Switching power (resistive) max.             | AC 1500 VA; DC (see load limit curve)       |
|   |   | Switching capacity                           | AC-15: 3 A / AC 250 V; DC-13: 2 A / DC 24 V |
|   |   | Recommended minimum load                     | 1 V / 1 mA / 1 mW                           |
|   |   | Pull-in time (typ.)                          | 15 ms                                       |
|   |   | Drop-out time (typ.)                         | 25 ms                                       |
|   |   | Bounce time (typ.)                           | 3.5 ms                                      |
|   |   | Electrical life (NO; resistive load; 23 °C)  | 50 x 10 <sup>8</sup> switching operations   |
|   |   | Mechanical life                              | 5 x 10 <sup>8</sup> switching operations    |
|   |   | Switching frequency with/without load (max.) | 6 min <sup>-1</sup> / 180 min <sup>-1</sup> |

## Signaling

|                  |            |
|------------------|------------|
| Status indicator | Yellow LED |
|------------------|------------|

## Safety and protection

|   |   |
|---|---|
| Rated Voltage   | 300 V   |
| Rated surge voltage   | 4 kV  |
| Type of circuits  | Mains circuits  |
| Overvoltage category  | III   |
| Pollution degree  | 2   |
| Dielectric strength (control/load circuit) (AC, 1 min)      | 3.51 kVrms  |
| Dielectric strength (open contact) (AC, 1 min)              | 1 kVrms   |
| Insulation type (control/load circuit)                      | Reinforced insulation (safe isolation)  |
| Insulation type (between adjacent devices of the same type) | Double insulation (safe isolation)  |
| Insulation type (to adjacent devices of different types)    | Basic insulation  |
| Safety Information  | Adjacent devices of the same type are devices of the same design (series) that are arranged next to one another on the DIN-rail with the same orientation. An end stop (249-116) must be fitted to devices of other types for compliance with the reinforced insulation requirements. |
| Protection type   | IP20  |

### Connection data

|   |  |
|---|--|
| Connection technology                           | Push-in CAGE CLAMP®                          |
| Solid conductor                                 | 0.34 ... 2.5 mm <sup>2</sup> / 22 ... 14 AWG |
| Fine-stranded conductor                         | 0.34 ... 2.5 mm <sup>2</sup> / 22 ... 14 AWG |
| Fine-stranded conductor; with insulated ferrule | 0.34 ... 1.5 mm <sup>2</sup> / 22 ... 16 AWG |
| Strip length                                    | 9 ... 10 mm / 0.35 ... 0.39 inches           |

### Physical data

|                                   |                      |
|-----------------------------------|----------------------|
| Width                             | 6 mm / 0.236 inches  |
| Height                            | 94 mm / 3.701 inches |
| Depth from upper-edge of DIN-rail | 81 mm / 3.189 inches |

### Mechanical data

|                   |                                       |
|-------------------|---------------------------------------|
| Mounting type     | DIN-35 rail                           |
| Mounting position | horizontal (standing/lying); vertical |

### Material data

|                                    |  |
|------------------------------------|--|
| Note (material data)               | <a href="#">Information on material specifications can be found here</a> |
| Color                              | gray   |
| Insulation material (main housing) | Polyamide (PA66)   |
| Material group                     | I  |
| Flammability class per UL94        | V0   |
| Fire load                          | 0.615 MJ   |
| Weight                             | 31.5 g   |

### Environmental requirements

|  |  |
|--|--|
| Ambient temperature (operation at U <sub>N</sub> ) | -40 ... +60 °C                           |
| Ambient temperature (storage)                      | -40 ... +70 °C                           |
| Processing temperature                             | -25 ... +50 °C                           |
| Temperature range of connection cable              | ≥ (T <sub>ambient</sub> + 30 K)          |
| Relative humidity                                  | 5 ... 85 % (no condensation permissible) |
| Operating altitude (max.)                          | 2000 m                                   |

### Standards and specifications

|                          |  |
|--------------------------|--|
| Standards/specifications | EN 61010-2-201<br>EN 61810-1<br>EN 61373 |
|--------------------------|--|

### Basic relay

|                  |         |
|------------------|---------|
| WAGO Basic Relay | 857-157 |
|------------------|---------|

| Commercial data       |                          |
|-----------------------|--------------------------|
| Product Group         | 6 (INTERFACE ELECTRONIC) |
| eCl@ss 10.0           | 27-37-16-01              |
| eCl@ss 9.0            | 27-37-16-01              |
| ETIM 9.0              | EC001437                 |
| ETIM 8.0              | EC001437                 |
| PU (SPU)              | 25 (1) pcs               |
| Packaging type        | Box                      |
| Country of origin     | DE                       |
| GTIN                  | 4050821873402            |
| Customs tariff number | 85364900990              |

| Environmental Product Compliance          |  |
|---|--|
| CAS-No.                                   | 1303-86-2<br>7439-92-1<br>79-94-7  |
| REACH Candidate List Substance            | 2,2',6,6'-tetrabromo-4,4'-isopropylidenediphenol<br>Diboron trioxide<br>Lead |
| RoHS Compliance Status                    | Compliant,With Exemption   |
| RoHS Exemption                            | 7(a)<br>7(c)-I   |
| SCIP notification number (Bulgaria)       | c90e8389-8fc8-4d04-b6bf-ce110031b7e8   |
| SCIP notification number (Czech Republic) | 9842fd9b-292a-4d58-a8a9-6f6f56d1dc77   |

### Approvals / Certificates

| General approvals          |                |                  |
|----------------------------|----------------|------------------|
|                            |                |                  |
| Approval                   | Standard       | Certificate Name |
| EAC<br>GZO Almaty Standart | TP TC 004/2011 | EAC CoC 03078    |

| Declarations of conformity and manufacturer's declarations |          |                  |
|--|----------|------------------|
| Approval   | Standard | Certificate Name |
| EU-Declaration of Confor-<br>mity<br>WAGO GmbH & Co. KG    | -        | -                |
| UK-Declaration of Confor-<br>mity<br>WAGO GmbH & Co. KG    | -        | -                |

### Downloads

| Environmental Product Compliance                       |   |
|--|---|
| Compliance Search                                      |   |
| Environmental Product<br>Compliance<br>857-368/006-000 | ↓ |

## Documentation

| Bid Text        |            |                  |                   |
|-----------------|------------|------------------|-------------------|
| 857-368/006-000 | 20.02.2019 | docx<br>16.86 KB | <a href="#">↓</a> |
| 857-368/006-000 | 19.02.2019 | xml<br>5.31 KB   | <a href="#">↓</a> |

## CAD/CAE-Data

| CAD data                        |                   |
|---------------------------------|-------------------|
| 2D/3D Models<br>857-368/006-000 | <a href="#">↓</a> |

| CAE data                             |                   |
|--------------------------------------|-------------------|
| EPLAN Data Portal<br>857-368/006-000 | <a href="#">↓</a> |
| WSCAD Universe<br>857-368/006-000    | <a href="#">↓</a> |
| ZUKEN Portal<br>857-368/006-000      | <a href="#">↓</a> |

## 1 Compatible Products

### 1.1 Optional Accessories

#### 1.1.1 Basic relay

##### 1.1.1.1 Basic relay



**Item No.: 857-157**  
 Basic relay; Nominal input voltage: 60 VDC; 1 changeover contact; Limiting continuous current: 6 A; with gold contacts; Module width: 5 mm; Module height: 15 mm

#### 1.1.2 Ferrule

##### 1.1.2.1 Ferrule



**Item No.: 216-241**  
 Ferrule; Sleeve for 0.5 mm<sup>2</sup> / 20 AWG; insulated; electro-tin plated; electrolytic copper; gastight crimped; acc. to DIN 46228, Part 4/09.90; white



**Item No.: 216-242**  
 Ferrule; Sleeve for 0.75 mm<sup>2</sup> / 18 AWG; insulated; electro-tin plated; electrolytic copper; gastight crimped; acc. to DIN 46228, Part 4/09.90; gray



**Item No.: 216-243**  
 Ferrule; Sleeve for 1 mm<sup>2</sup> / AWG 18; insulated; electro-tin plated; electrolytic copper; gastight crimped; acc. to DIN 46228, Part 4/09.90; red



**Item No.: 216-244**  
 Ferrule; Sleeve for 1.5 mm<sup>2</sup> / AWG 16; insulated; electro-tin plated; electrolytic copper; gastight crimped; acc. to DIN 46228, Part 4/09.90; black

1.1.3 Jumper

1.1.3.1 Jumper



[Item No.: 281-482](#)

Jumper; 2-way; insulated; gray



[Item No.: 859-410/000-006](#)

Jumper; for jumper slot; 10-way; insulated; blue



[Item No.: 859-410](#)

Jumper; for jumper slot; 10-way; insulated; light gray



[Item No.: 859-410/000-005](#)

Jumper; for jumper slot; 10-way; insulated; red



[Item No.: 859-410/000-029](#)

Jumper; for jumper slot; 10-way; insulated; yellow



[Item No.: 859-402/000-006](#)

Jumper; for jumper slot; 2-way; insulated; blue



[Item No.: 859-402](#)

Jumper; for jumper slot; 2-way; insulated; light gray



[Item No.: 859-402/000-005](#)

Jumper; for jumper slot; 2-way; insulated; red



[Item No.: 859-402/000-029](#)

Jumper; for jumper slot; 2-way; insulated; yellow



[Item No.: 859-403/000-006](#)

Jumper; for jumper slot; 3-way; insulated; blue



[Item No.: 859-403](#)

Jumper; for jumper slot; 3-way; insulated; light gray



[Item No.: 859-403/000-005](#)

Jumper; for jumper slot; 3-way; insulated; red



[Item No.: 859-403/000-029](#)

Jumper; for jumper slot; 3-way; insulated; yellow



[Item No.: 859-404/000-006](#)

Jumper; for jumper slot; 4-way; insulated; blue



[Item No.: 859-404](#)

Jumper; for jumper slot; 4-way; insulated; light gray



[Item No.: 859-404/000-005](#)

Jumper; for jumper slot; 4-way; insulated; red



[Item No.: 859-404/000-029](#)

Jumper; for jumper slot; 4-way; insulated; yellow



[Item No.: 859-405/000-006](#)

Jumper; for jumper slot; 5-way; insulated; blue



[Item No.: 859-405](#)

Jumper; for jumper slot; 5-way; insulated; light gray



[Item No.: 859-405/000-005](#)

Jumper; for jumper slot; 5-way; insulated; red



[Item No.: 859-405/000-029](#)

Jumper; for jumper slot; 5-way; insulated; yellow



[Item No.: 859-406/000-006](#)

Jumper; for jumper slot; 6-way; insulated; blue



[Item No.: 859-406](#)

Jumper; for jumper slot; 6-way; insulated; light gray



[Item No.: 859-406/000-005](#)

Jumper; for jumper slot; 6-way; insulated; red



[Item No.: 859-406/000-029](#)

Jumper; for jumper slot; 6-way; insulated; signal yellow



[Item No.: 859-407/000-006](#)

Jumper; for jumper slot; 7-way; insulated; blue



[Item No.: 859-407](#)

Jumper; for jumper slot; 7-way; insulated; light gray



[Item No.: 859-407/000-005](#)

Jumper; for jumper slot; 7-way; insulated; red



[Item No.: 859-407/000-029](#)

Jumper; for jumper slot; 7-way; insulated; yellow



[Item No.: 859-408/000-006](#)

Jumper; for jumper slot; 8-way; insulated; blue



[Item No.: 859-408](#)

Jumper; for jumper slot; 8-way; insulated; light gray



[Item No.: 859-408/000-005](#)

Jumper; for jumper slot; 8-way; insulated; red



[Item No.: 859-408/000-029](#)

Jumper; for jumper slot; 8-way; insulated; yellow



[Item No.: 859-409/000-006](#)

Jumper; for jumper slot; 9-way; insulated; blue



[Item No.: 859-409](#)

Jumper; for jumper slot; 9-way; insulated; light gray



[Item No.: 859-409/000-005](#)

Jumper; for jumper slot; 9-way; insulated; red



[Item No.: 859-409/000-029](#)

Jumper; for jumper slot; 9-way; insulated; yellow

### 1.1.4 Marking

#### 1.1.4.1 Double marker carrier



**Item No.: 209-128**  
Adaptor; gray

#### 1.1.4.2 Group marker carrier



**Item No.: 249-105**  
Group marker carrier; gray

#### 1.1.4.3 Marker



**Item No.: 209-183**  
Marker; white



**Item No.: 793-5501**  
WMB marking card; as card; for terminal block width 5 - 17.5 mm; stretchable 5 - 5.2 mm; plain; snap-on type; white



**Item No.: 793-502**  
WMB marking card; as card; MARKED; 1 ... 10 (10x); not stretchable; Horizontal marking; snap-on type; white



**Item No.: 793-566**  
WMB marking card; as card; MARKED; 1 ... 50 (2x); not stretchable; Horizontal marking; snap-on type; white



**Item No.: 793-503**  
WMB marking card; as card; MARKED; 11 ... 20 (10x); not stretchable; Horizontal marking; snap-on type; white



**Item No.: 793-504**  
WMB marking card; as card; MARKED; 21 ... 30 (10x); not stretchable; Horizontal marking; snap-on type; white



**Item No.: 793-505**  
WMB marking card; as card; MARKED; 31 ... 40 (10x); not stretchable; Horizontal marking; snap-on type; white



**Item No.: 793-506**  
WMB marking card; as card; MARKED; 41 ... 50 (10x); not stretchable; Horizontal marking; snap-on type; white



**Item No.: 793-501**  
WMB marking card; as card; not stretchable; plain; snap-on type; white



**Item No.: 2009-115**  
WMB-Inline; for Smart Printer; 1500 pieces on roll; stretchable 5 - 5.2 mm; plain; snap-on type; white

#### 1.1.4.4 Marking device



**Item No.: 210-110**  
Fiber-tip pen

#### 1.1.4.5 Marking strip



**Item No.: 2009-110**  
Marking strips; for Smart Printer; on reel; not stretchable; plain; snap-on type; white

#### 1.1.4.6 Protective marker cover



**Item No.: 209-184**  
Protection cover; transparent

## 1.1.5 Tool

### 1.1.5.1 Operating tool

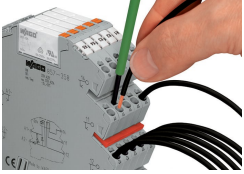


#### Item No.: 210-720

Operating tool; Blade: 3.5 x 0.5 mm; with a partially insulated shaft; multicoloured

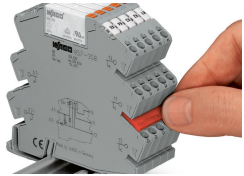
## Installation Notes

### Conductor termination



Conductor termination

### Commoning



Easy commoning using adjacent jumpers

### Marking



Marking via WMB Multi Marking System.

## Installation



Removing a relay via ejector.