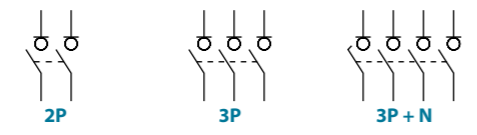


# S5000 AC Switch - disconnecter base mounting 2P - 3P - 3P+N

Size 00  
A 40|63|80



	CODE-40A	CODE-63A	CODE-80A
2P	S5-00402PB0	S5-00632PB0	S5-00802PB0
3P	S5-00403PB0	S5-00633PB0	S5-00803PB0
3P + N	S5-00403NB0	S5-00633NB0	S5-00803NB0



## Technical information

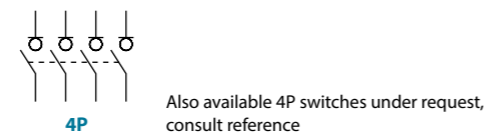


According to IEC/EN 60947-3

		40			63			80			
Rated thermal current in ambient at RH 60%	Ith	40 °C	A	50	63	80	40 °C	A	50	63	80
		50 °C	A	50	63	80	50 °C	A	50	63	80
		60 °C	A	40	63	64	60 °C	A	40	63	64
Rated insulation voltage	Ui	V		800	800	800	V		3500	3500	3500
Rated dielectric strength	50 Hz., 1 min.	V		3500	3500	3500	V		3500	3500	3500
Rated impulse withstand voltage	Uimp	kV		8	8	8	kV		8	8	8
AC rated operational current <sup>(1)</sup> (Rated operational frequency 50/60 Hz)	Ie	Ue 400V AC21A	A	50	63	80	Ue 400V AC22A	A	50	63	80
		Ue 400V AC23A	A	50	63	63	Ue 500V AC21A	A	50	63	80
		Ue 500V AC22A	A	50	63	63	Ue 500V AC23A	A	40	50	50
		Ue 500V AC23A	A	40	50	50					
		Ue 500V AC23A	A	40	50	50					
AC rated operational power <sup>(2)</sup>	Pe	3x400V AC23A	kW	27,7	34,9	34,9					
Rated capacitor power	400V, sen φ = 0,65	kVA		22,5	28,3	28,3					
Rated breaking capacity	400V AC23A	A		400	504	504					
Rated making capacity	400V AC23A	A		500	630	630					

<sup>(1)</sup> Other voltages and / or utilization categories. Please consult  
<sup>(2)</sup> Indicative values: current values vary from one motor manufacturer to another  
<sup>(3)</sup> Without limiting protective device (short-circuit maintained 50... 200 ms.)  
<sup>(4)</sup> With a protective device limiting the cut - off current and the joule integral to the indicated values  
<sup>(5)</sup> Please consult us for more operations

		40			63			80		
<b>Short - circuit behaviour</b>										
Rated short-circuit making capacity <sup>(3)</sup>	Icm	kA (peak)	5	5	5	5	5	5	5	5
Rated short-time withstand current (1sec.)	Icw	kA rms	3	3	3	3	3	3	3	3
Conditional short - circuit current (rms value) <sup>(4)</sup>		kA rms	100	100	100	100	100	100	100	100
Maximum cut - off current (peak value)		kA (peak)	10	10	10	10	10	10	10	10
Maximum power dissipation (I <sup>2</sup> t)		A <sup>2</sup> s (x10 <sup>3</sup> )	54,7	54,7	54,7	54,7	54,7	54,7	54,7	54,7
<b>Mechanical features</b>										
Minimum number of mechanical operations <sup>(5)</sup>		Cycles	30000	30000	30000	30000	30000	30000	30000	30000
Maximum weight		Kg	0,4	0,4	0,4	0,4	0,4	0,4	0,4	0,4



## Accessories

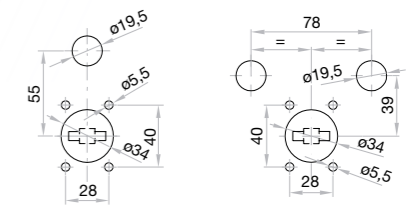
- Direct handle**  
CODE DS-SI01
- Panel handle** included shaft <sup>(e1)</sup>  
IP65  
CODE DS-SA01
- Panel handle** without shaft  
IP65  
CODE DS-SA03
- Emergency panel handle** included shaft <sup>(e1)</sup>  
IP65  
CODE DS-SR01

- Auxiliary contacts**  
1NA+1NC CODE D5LAU01  
2NA+2NC CODE D5LAU02  
Ie = 16 A (resistive loads)  
4 A (inductive loads) at 250 Vac.

- Safety key lock device**  
Simple CODE DS-CAB1  
Double CODE DS-CEB1

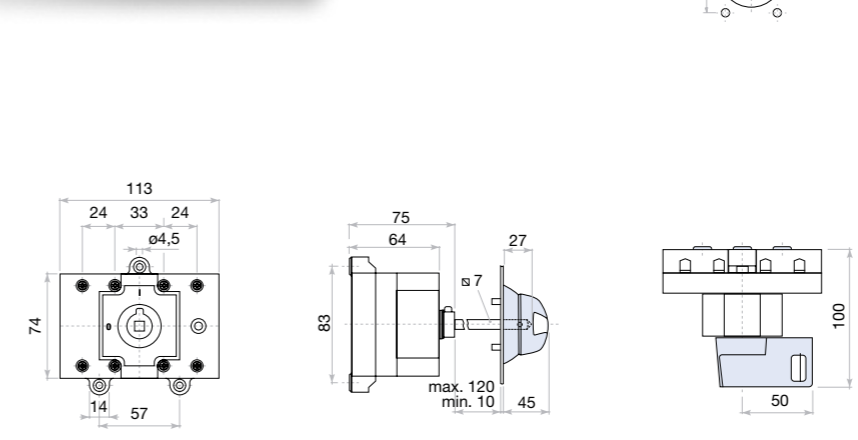
For external handle, lock the handle by means of a key in position "OFF" (under request, in "ON"), the key can only be removed with the handle locked

Panel drilling for handle and keylock device  
Simple Double

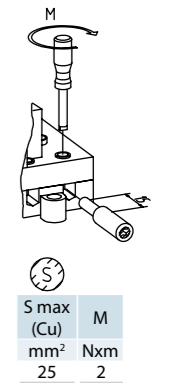
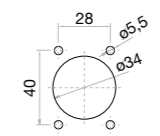


- Shafts**  
Standard shaft included <sup>(e1)</sup>  
L (mm) | P (mm) |  
177 | 85... 195,5
- Shaft extensions**  
Type 1  
L (mm) | P (mm) | CODE  
250 | 85... 278 | DS-EP04  
Type 2  
L (mm) | P (mm) | CODE  
387 | 85... 415 | DS-EP05

## Dimensions (mm)



Panel drilling for panel handle



S max (Cu)	M
mm <sup>2</sup>	Nxm
25	2