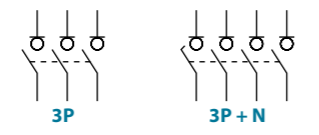
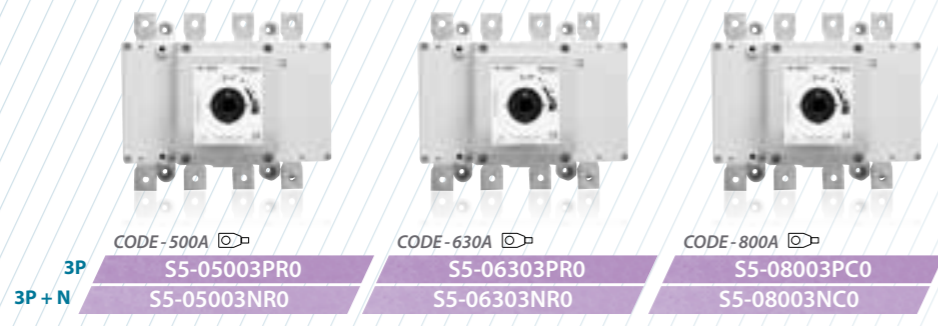


S5000 AC Switch - disconnecter base mounting 3P - 3P+N

Size 2
A 500|630|800



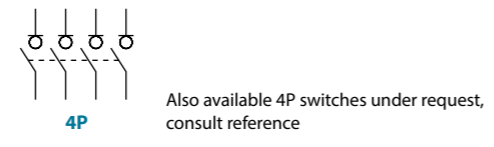
Technical information

According to IEC/EN 60947-3



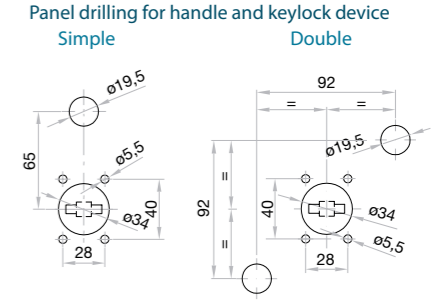
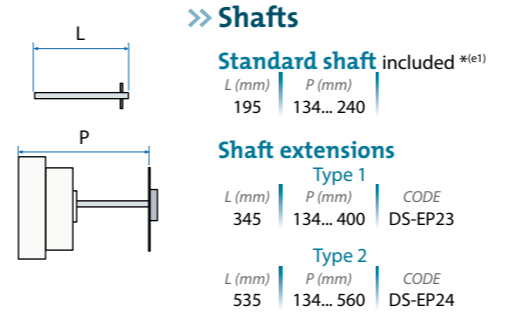
		500			630			800		
Rated thermal current in ambient at RH 60%	Ith	40 °C	A	500	630	800				
		50 °C	A	500	630	720				
		60 °C	A	500	630	640				
Rated insulation voltage	Ui		V	1000	1000	1000				
Rated dielectric strength	50 Hz, 1 min.		V	8000	8000	8000				
Rated impulse withstand voltage	Uimp		kV	12	12	12				
AC rated operational current ⁽¹⁾ (Rated operational frequency 50/60 Hz)	Ie	Ue 400V AC21A	A	500	630	800				
		Ue 400V AC22A	A	500	630	800				
	Ue 400V AC23A	A	500	630	800					
	Ue 500V AC21A	A	500	630	800					
	Ue 500V AC22A	A	500	630	800					
	Ue 500V AC23A	A	400	500	500					
AC rated operational power ⁽²⁾	Pe	3x400V AC23A	kW	277,1	349,1	443,4				
Rated capacitor power	400V, sen φ = 0,65	kVA		225,1	283,7	360,2				
Rated breaking capacity	400V AC23A	A		4000	5000	6400				
Rated making capacity	400V AC23A	A		5000	6300	8000				

		500			630			800		
Short - circuit behaviour										
Rated short-circuit making capacity ⁽³⁾	Icm	kA (peak)		26	26	26				
Rated short-time withstand current (1sec.)	Icw	kA rms		16	16	16				
Conditional short - circuit current (rms value) ⁽⁴⁾		kA rms		100	100	100				
Maximum cut - off current (peak value)		kA (peak)		39	39	39				
Maximum power dissipation (I ² t)		A ² s (x10 ³)		1600	1600	1600				
Mechanical features										
Minimum number of mechanical operations ⁽⁵⁾	Cycles			10000	10000	10000				
Maximum weight 3P		Kg		4,2	4,2	4,2				
Maximum weight 3P+N		Kg		4,5	4,5	4,5				

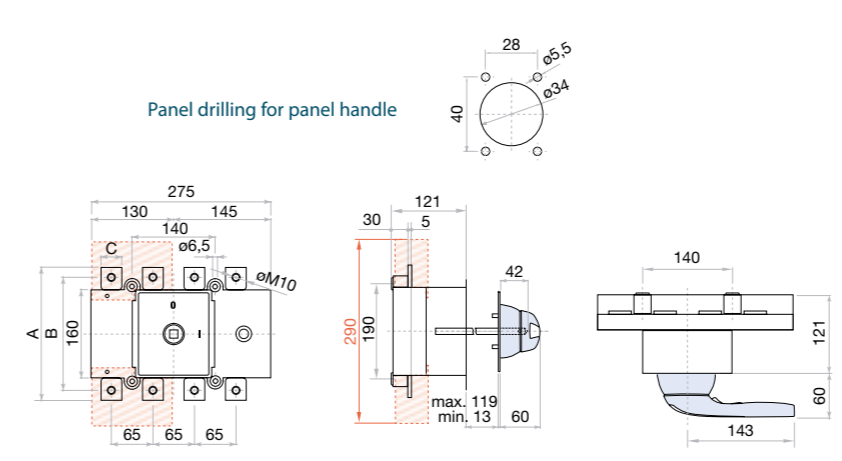


Accessories

- Direct handle**
CODE DS-LI21
- Panel handle** included shaft ^(e1)
IP65|UL50E/NEMA 250
Types: 1, 3R, 4, 4X y 12
CODE DS-LA21
- Panel handle** without shaft
IP65|UL50E/NEMA 250
Types: 1, 3R, 4, 4X y 12
CODE DS-SA24
- Emergency panel handle** included shaft ^(e1)
IP65|UL50E/NEMA 250
Types: 1, 3R, 4, 4X y 12
CODE DS-LR21
- Terminal protection**
CODE DS-CU22
(1 unit for input or output)
- Terminal shrouds**
CODE DS-CU21
(1 kit for input or output)
- Auxiliary contacts**
1NA+1NC CODE D5LAU01
2NA+2NC CODE D5LAU02
Ie = 16 A (resistive loads)
4 A (inductive loads) at 250 Vac.
- Safety key lock device**
Simple CODE DS-CB21
Double CODE DS-CF21
For external handle, lock the handle by means of a key in position "OFF" (under request, in "ON"), the key can only be removed with the handle locked.



Dimensions (mm)



	A	B	C	S max (Cu) mm ²	H max (Cu) mm	L max (Cu) mm	T	M
500 A	220	190	25	2x185	6	40		
630 A	235	205	30	2x240	2x5	40	M10	24
800 A						50		

⁽¹⁾ Other voltages and / or utilization categories. Please consult
⁽²⁾ Indicative values: current values vary from one motor manufacturer to another
⁽³⁾ Without limiting protective device (short-circuit maintained 50... 200 ms.)
⁽⁴⁾ With a protective device limiting the cut - off current and the joule integral to the indicated values
⁽⁵⁾ Please consult us for more operations

