

***Palazzoli***

**General**  
Catalogue



2019/2020

# ***Palazzoli***





CHIAREZZA DELLA FUNZIONE  
SEMPLICITÀ DI PROGETTO  
QUALITÀ DELLA MANIFATTURA

---

CLARITY OF FUNCTION  
PROJECT SIMPLICITY  
QUALITY OF MANUFACTURE

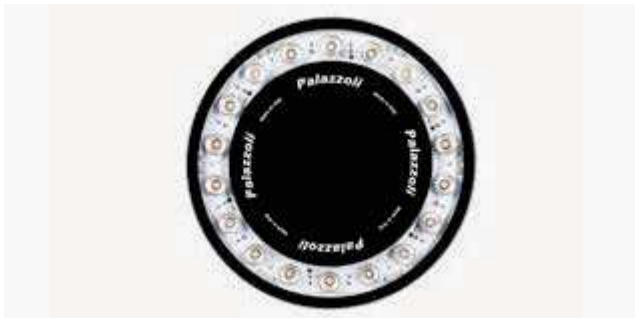


# MITO LED



# MITO LED

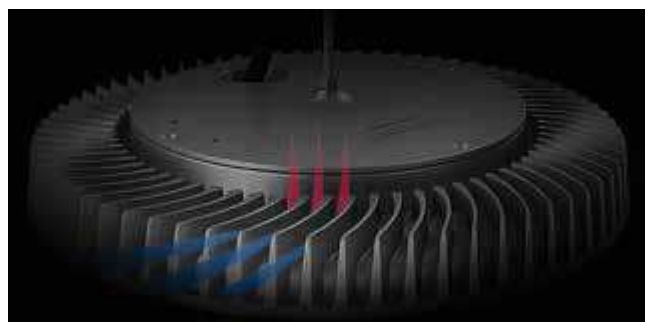
Lighting to save



Thanks to the rotosymmetrical photometry, with the LEDs placed on the perimeter, the devices are always aligned.

Thanks to easy and quick suspension connection, installation times are short.

MITO LED is free from photobiological risks according to EN 62471.



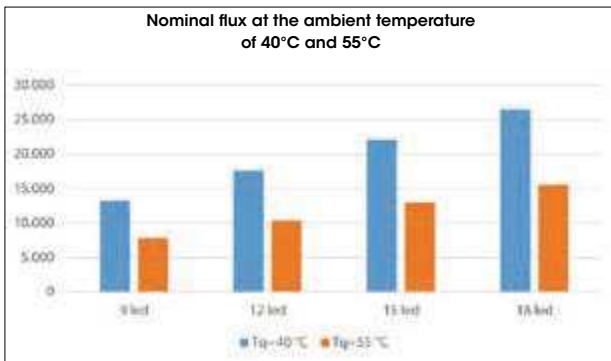
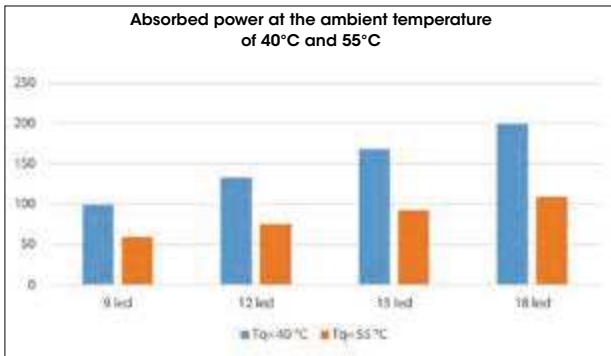
Thanks to the external connector, it is not necessary to open the device during the relamping phases.

High heat dissipation and the built-in air recirculation valve ensure a long lifetime of the electronic devices.

Suitable for use in industrial buildings, warehouses, body shops, rolling mills, thermoelectric power plants, logistics centres, sports facilities, shopping centres, food industries, livestock industry and outdoor areas.

MITO LED guarantees specific lighting and mechanical characteristics for installation in industrial environments, food industries, sports facilities and outdoor areas. The body is made of die-cast aluminium with anti-corrosion treatment, finished with a scratch-resistant powder coating. The diffuser, made of extra-clear tempered glass with 4 mm thickness, guarantees maximum resistance in harsh environments with chemical substances. The polycarbonate diffuser makes the appliance suitable for use in food industries that comply with HACCP standards.

**POWER AND FLUX AT 40°C AND 55°C**



Compliance with standards	<b>Directive 2014/35/EU</b> <b>EN 60598-1</b> <b>EN 60598-2-1</b> <b>EN 60598-2-5</b> <b>EN 60598-2-22</b> <b>EN 62471</b> <b>EN 62493</b> <b>IEC/TR 62778</b> <b>Directive 2014/30/EU</b> <b>EN 55015</b> <b>EN 61547</b> <b>EN 61000-3-2</b> <b>EN 61000-3-3</b> <b>Directive 2011/65/EU</b> <b>EN 50581</b> <b>DIN 18032-3</b> <b>EN 13964 Annex D</b> <b>EN 60598-2-24</b>
Body material	<b>EN 46100 aluminium alloy</b>
Surface treatment	<b>Fluoro-zirconium treatment</b>
Diffuser material	<b>Extra clear tempered glass or polycarbonate</b>
Protection rating (IP according to IEC/EN 60529)	<b>IP66/IP67</b>
Paint	<b>Hot-polymerised non-toxic polyester</b>
Colour	<b>RAL 7011</b>
Impact resistance (IK rating according to IEC/EN 62262)	<b>IK08</b>
Corrosion class	<b>C3 according to ISO9223</b>
Weight	<b>max 9.5 kg</b>
LED device efficiency	<b>≥ 106 lm/W</b>
Colour temperature	<b>4000K</b> (other temperatures on request)
CRI	<b>≥ 80</b>
Insulation class	<b>I (II on request)</b>
Supply voltage	<b>200-240 V 50-60 Hz</b>
Input surge protection	<b>10kV common mode</b> <b>6 kV differential mode</b> <b>EN 61000</b>
Residual flicker	<b>&lt; 1%</b>
Photobiological risk	<b>Exempt</b>
Glare index	<b>UGR ≤ 22</b>
Power factor	<b>≥ 0.95</b>
Max conductor cross-section	<b>1.5 mm<sup>2</sup></b>
Entry cable diameter	<b>7-13 mm</b>
Emergency battery lifetime	<b>1-3 h</b>
Emergency battery charging time	<b>30 h</b>
Estimated device lifetime	<b>L80 B20 @110.000h</b> <b>Tq= -30 °C to +40 °C</b>
Storage temperature	<b>-40 °C - +70 °C</b>
Operating temperature	<b>-30°C to +40°C</b> (up to +55°C or other special configurations on request)

The photometric curves (LDT files) are available on [www.palazzolilux.com](http://www.palazzolilux.com)







Suspension LED light fixtures **glass diffuser**  
**roto-symmetrical**  
**extra wide beam optics**  
**IP66/IP67**

No. of LEDs	Device power (W)	Rated flux (lm) Tj= 25 °C	Version	Photometric curves	Palazzoli code	Pack Qty
9	99	13230	1-10 V dimmable standard	1	<b>810090</b>	1
12	133	17640		1	<b>810020</b>	1
15	168	22050		1	<b>810050</b>	1
18	199	26460		1	<b>810080</b>	1
9	99	13230	emergency	1	<b>810190</b>	1
12	133	17640		1	<b>810120</b>	1
15	168	22050		1	<b>810150</b>	1
18	199	26460		1	<b>810180</b>	1

**Equipment included:** quick connection for suspension. Power supply with 5P quick connector (2 connectors for the versions in emergency).

**Features:** UGR>22. Typical installation height between 5 and 9 m.



Suspension LED light fixtures **HACCP-compliant**  
for food industry  
**polycarbonate diffuser**  
**roto-symmetrical**  
**extra wide beam optics**  
**IP66/IP67**

No. of LEDs	Device power (W)	Rated flux (lm) Tj= 25 °C	Version	Photometric curves	Palazzoli code	Pack Qty
9	99	13230	1-10 V dimmable standard	1	<b>810093</b>	1
12	133	17640		1	<b>810023</b>	1
15	168	22050		1	<b>810053</b>	1
18	199	26460		1	<b>810083</b>	1
9	99	13230	emergency	1	<b>810193</b>	1
12	133	17640		1	<b>810123</b>	1
15	168	22050		1	<b>810153</b>	1
18	199	26460		1	<b>810183</b>	1

**Equipment included:** quick connection for suspension. Power supply with 5P quick connector (2 connectors for the versions in emergency).

**Features:** UGR>22. Typical installation height between 5 and 9 m.



Suspension LED light fixtures **glass diffuser**  
**roto-symmetrical narrow**  
**beam optics**  
**IP66/IP67**

No. of LEDs	Device power (W)	Rated flux (lm) Tj= 25 °C	Version	Photometric curves	Palazzoli code	Pack Qty
9	99	13230	1-10 V dimmable standard	2	<b>810091</b>	1
12	133	17640		2	<b>810021</b>	1
15	168	22050		2	<b>810051</b>	1
18	199	26460		2	<b>810081</b>	1
9	99	13230	emergency	2	<b>810191</b>	1
12	133	17640		2	<b>810121</b>	1
15	168	22050		2	<b>810151</b>	1
18	199	26460		2	<b>810181</b>	1

**Equipment included:** quick connection for suspension. Power supply with 5P quick connector (2 connectors for the versions in emergency).

**Features:** typical installation height over 9 m.



Suspension LED light fixtures **HACCP-compliant**  
for food industry  
**polycarbonate diffuser**  
**roto-symmetrical**  
**narrow beam optics**  
**IP66/IP67**

No. of LEDs	Device power (W)	Rated flux (lm) Tj= 25 °C	Version	Photometric curves	Palazzoli code	Pack Qty
9	99	13230	1-10 V dimmable standard	2	<b>810094</b>	1
12	133	17640		2	<b>810024</b>	1
15	168	22050		2	<b>810054</b>	1
18	199	26460		2	<b>810084</b>	1
9	99	13230	emergency	2	<b>810194</b>	1
12	133	17640		2	<b>810124</b>	1
15	168	22050		2	<b>810154</b>	1
18	199	26460		2	<b>810184</b>	1

**Equipment included:** quick connection for suspension. Power supply with 5P quick connector (2 connectors for the versions in emergency).

**Features:** typical installation height over 9 m.



Suspension LED light fixtures **glass diffuser**  
**elliptical beam optics**  
**IP66/IP67**

No. of LEDs	Device power (W)	Rated flux (lm) Tj= 25 °C	Version	Photometric curves	Palazzoli code	Pack Qty
9	99	13230	1-10 V dimmable standard	8	<b>810092</b>	1
12	133	17640		8	<b>810022</b>	1
15	168	22050		8	<b>810052</b>	1
18	199	26460		8	<b>810082</b>	1
9	99	13230	emergency	8	<b>810192</b>	1
12	133	17640		8	<b>810122</b>	1
15	168	22050		8	<b>810152</b>	1
18	199	26460		8	<b>810182</b>	1

**Equipment included:** connection with double chain bracket. Power supply with 5P quick connector (2 connectors for the versions in emergency).

**Features:** suitable for installation between the aisles of warehouses.



Suspension LED light fixtures **HACCP-compliant**  
for food industry  
**polycarbonate diffuser**  
**elliptical beam optics**  
**IP66/IP67**

No. of LEDs	Device power (W)	Rated flux (lm) Tj= 25 °C	Version	Photometric curves	Palazzoli code	Pack Qty
9	99	13230	1-10 V dimmable standard	8	<b>810095</b>	1
12	133	17640		8	<b>810025</b>	1
15	168	22050		8	<b>810055</b>	1
18	199	26460		8	<b>810085</b>	1
9	99	13230	emergency	8	<b>810195</b>	1
12	133	17640		8	<b>810125</b>	1
15	168	22050		8	<b>810155</b>	1
18	199	26460		8	<b>810185</b>	1

**Equipment included:** connection with double chain bracket. Power supply with 5P quick connector (2 connectors for the versions in emergency).

**Features:** suitable for installation between the aisles of warehouses.

**Common notes:** the stated values may be subject to a +/- 7% tolerance. Other DALI or wireless control systems are available on request.



**EMERGENCY** When using emergency light fixtures on standard lines, the following kit is required:  
code 810992 for 1h; or code 810991 for 3h.



CONNECTOR

**Emergency kit**

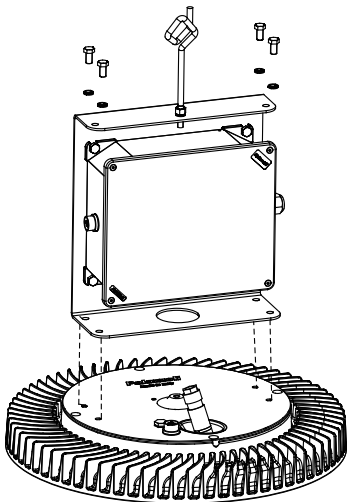
Manufacturing material	Emergency duration	Palazzoli code	Pack Qty
aluminium alloy	1h	<b>810992</b>	1
	3h	<b>810991</b>	1

**Equipment included:** the emergency kit comes complete with junction box, battery and inverter and interface bracket.

**Features:** 1 M20 entry and 1 exit with connector.

**Notes:** the interface bracket is suitable for a double fixed chain connection and for quick suspension connection. When performing the horizontal pole mounting, adjustable mounting, ceiling mounting and adjustable bracket mounting, the emergency kit must be mounted close to the unit (max. 1.5 m).

**MOUNTING THE EMERGENCY KIT ON THE LIGHT FIXTURE**



**EMERGENCY FLUX**

Rated flux (lm) Tj= 25 °C	Rated flux in emergency 1-3 h (lm)
13230	967
17640	
22050	
26460	

**Notes:** the emergency flux is obtained with a LED source dedicated for extra wide beam light distribution.



**Pair of brackets for mounting on double chain and busbar**

Manufacturing material	Palazzoli code	Pack Qty
galvanised steel	<b>810997</b>	1



**0 - 90° adjustable bracket for mounting on double chain**

Manufacturing material	Palazzoli code	Pack Qty
galvanised steel	<b>810996</b>	1



**Kit with bracket for ceiling mounting**

Manufacturing material	Palazzoli code	Pack Qty
galvanised steel	<b>810998</b>	1



**Set of brackets for horizontal pole mounting Ø 60 mm**

Manufacturing material	Palazzoli code	Pack Qty
galvanised steel	<b>810995</b>	1



**Adjustable bracket for wall-mounting pole mounting and light tower mounting**

Manufacturing material	Palazzoli code	Pack Qty
painted galvanised steel	<b>810999</b>	1



**0 - 90° adjustable bracket for mounting on catenary cable**

Manufacturing material	Palazzoli code	Pack Qty
galvanised steel	<b>810994</b>	1





LED floodlights **asymmetrical narrow beam optics IP66/IP67**

No. of LEDs	Device power (W)	Rated flux (lm)	Version	Photometric curves	Palazzoli code	Pack Qty
9	99	13230	1-10 V dimmable standard	4	<b>810296</b>	1
12	133	17640		4	<b>810226</b>	1
15	168	22050		4	<b>810256</b>	1
18	199	26460		4	<b>810286</b>	1

**Equipment included:** adjustable bracket for wall-mounting or mounting on load-bearing structures (poles, light towers).  
Power supply with 5P quick connector.

**Features:** suitable for illuminating outdoor areas and sports facilities.

**Notes:** the stated values may be subject to a +/- 7% tolerance.



**Universal mount for pole head installation**  
for Ø 60 mm and Ø 76 mm poles

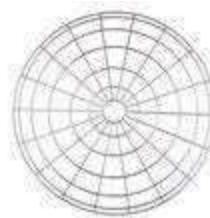
Manufacturing material	Palazzoli code	Pack Qty
painting galvanised steel	<b>811908</b>	1



**Kit consisting of collar and plate**  
for Ø 60 mm to Ø 80 mm pole mounting

Manufacturing material	Palazzoli code	Pack Qty
painting galvanised steel	<b>811912</b>	1

**COMMON ACCESSORY**



**Protection guard**

Manufacturing material	Palazzoli code	Pack Qty
galvanised steel	<b>810993</b>	1

**PALAZZOLI LUX SITE**

The website dedicated to floodlight and suspension lighting systems is available on [www.palazzolilux.com](http://www.palazzolilux.com)



The background of the entire page is a vibrant blue space-themed image. It features a view of the Earth from space, with the sun rising over the horizon, creating a bright lens flare effect. The Italian peninsula is clearly visible on the Earth's surface, illuminated by city lights. A network of glowing blue lines and dots, resembling a constellation or a digital network, is overlaid on the scene. The overall color palette is dominated by deep blues and bright whites from the sun.

# **Palazzoli**

— excellence —  
**FROM ITALY**

---

Palazzoli S.p.A  
25128 Brescia - Italy - Via F. Palazzoli, 31  
Tel +39 030 2015.1  
Fax +39 030 2015.258  
[www.palazzoli.com](http://www.palazzoli.com)  
[export@palazzoli.com](mailto:export@palazzoli.com)

---