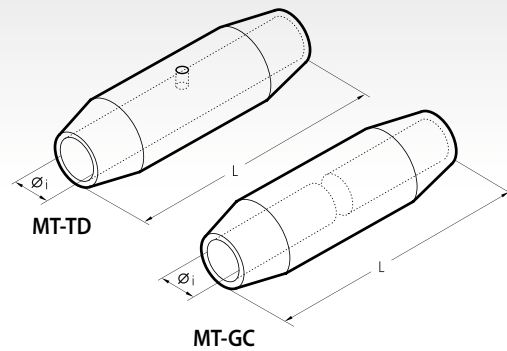


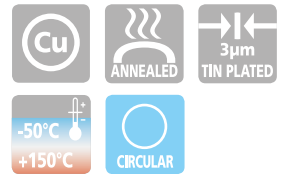
HIGH VOLTAGE COPPER THROUGH CONNECTORS

MT-TD MT-GC



Conductor Size sqmm	Type	Type	Dimensions mm		Quantity Box/Bag	Hydraulic Tools		
			\varnothing_i	L		HT51	HT81-U	RHU81
25 R	MT25-TD	MT25-GC	6,8	60,0	90/3	HT51	RH50	B500ND
30 RC/S ÷ 40 S	MT40S-TD	MT40S-GC	8,2	60,0	90/3			
50 RC	MT50R-TD	MT50R-GC	8,7	60,0	90/3			
50 S	MT50S-TD	MT50S-GC	9,5	60,0	90/3			
63 S ÷ 70 S	MT70S-TD	MT70S-GC	11,0	70,0	30/3			
80 S ÷ 95 RC	MT95R-TD	MT95R-GC	12,0	80,0	30/3			
95 S ÷ 100 S	MT95S-TD	MT95S-GC	13,5	80,0	30/3			
120 RC/S ÷ 150 RC	MT150R-TD	MT150R-GC	15,0	80,0	30/3			
150 S ÷ 160 RC	MT150S-TD	MT150S-GC	16,5	80,0	30/3			
160 S ÷ 200 RC	MT200R-TD	MT200R-GC	17,0	100,0	30/3			
200 S ÷ 240 RC	MT240R-TD	MT240R-GC	19,2	100,0	30/3			
240 S ÷ 315 RC	MT315R-TD	MT315R-GC	21,5	100,0	30/3			
315 S	MT315S-TD	MT315S-GC	23,7	100,0	30/3			
400 R	MT400-TD		27,0	120,0	15/3			
500 R	MT500-TD		30,3	118,0	15/3			
600 R ÷ 630 R	MT630-TD		33,4	130,0	9/3			

R=Round conductors RC=Round Compact conductors S=Sector shaped conductors



MT-TD and MT-GC series connectors are designed to join conductors in high voltage applications up to 33 kV.

They are manufactured from high purity Copper, annealed and Tin plated.

MT-GC series feature a solid stop which forms a barrier between the two conductors being joined, this prevents the migration of oils or greases, which may be present, in one cable contaminating the other cable.

MT-TD connectors are unblocked and are suitable for joining cables of the same type.

Details of the appropriate crimping tools and dies are shown on page 234.