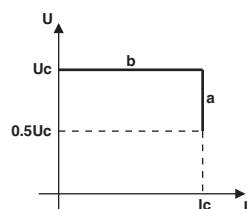


Automatic battery chargers

For not sealed lead-acid batteries



BCF...



a - constant current charge
b - constant voltage charge

Order code	Rated output current	Rated output voltage DC	Qty per pkg	Wt
	[A]	[V]	n°	[kg]
1 charging level.				
BCF 0250 12	2.5	12	1	0.332
BCF 0450 12	4.5		1	0.332
BCF 0125 24	1.25	24	1	0.332
BCF 0250 24	2.5		1	0.332

Alarms

	GREEN LED	RED LED	RELAY
Correct output voltage	ON	OFF	ON
Polarity inverted	—	ON	—
Short circuit	OFF	OFF	OFF
Overload	OFF	OFF	OFF

Type	Maximum power consumption		Mains fuse
	[VA]	[W]	[A]
BCF 0250 12	96	40	2
BCF 0450 12	181	76	2
BCF 0125 24	96	39	2
BCF 0250 24	181	72	2

General characteristics

- Switching technology
- Modular housing, DIN rail mounting
- Wide auxiliary supply range.

Protections:

- Mains input fuse
- Battery output fuse
- Electronic lock in case of short circuit on battery terminals, battery polarity inversion, low voltage across battery poles ($<0.5 U_e$)
- Relay alarm output.

LED indications:

- Correct output voltage
- Battery polarity inverted.

Operational characteristics

- Auxiliary supply voltage: 100...240VAC ($\pm 10\%$) 50/60Hz ($\pm 5\%$)
- Charging cycle: in accordance with DIN 41773 standards
- Current limitation
- IEC degree of protection: IP20
- Fixed clamping screw terminal block with captive screws.

Alarm output circuit

- Type of output: 3A 250VAC relay (AC1).

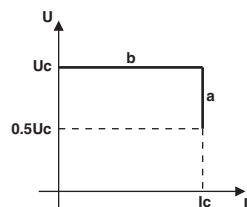
Certifications and compliance

Certifications obtained: cURus and GOST.
Compliant with standards: IEC/EN 60950-1, IEC/EN 61000-6-2, IEC/EN 61000-6-3, UL 60950-1, CSA C22.2 n°60950-1.

For sealed and not sealed lead-acid batteries



BCG...



a - constant current charge
b - constant voltage charge

Order code	Rated output current	Rated output voltage DC	Qty per pkg	Wt
	[A]	[V]	n°	[kg]
1 charging level.				
BCG 06 12	6	12	1	0.532
BCG 12 12	12		1	0.710
BCG 05 24	5	24	1	0.532
BCG 10 24	10		1	0.710
Accessories.				
BCG X00	Adapter for DIN rail vertical mount		1	0.022

Alarms

	POWER ON	REV	RELAY/ALARM LED
Correct output voltage	ON	OFF	ON
Polarity inverted	—	ON	—
Short circuit	OFF	OFF	OFF
Overload	OFF	OFF	OFF

Type	Maximum power consumption		Mains fuse (Type T)
	[VA]	[W]	[A]
BCG 06 12	97	14	8
BCG 12 12	195	31	16
BCG 05 24	158	20	6.3
BCG 10 24	311	36	12

General characteristics

- Switching technology
- Screw fixing or DIN rail mounting
- Two charging voltages selectable by DIP-switch
- Wide auxiliary supply range
- Boost signal controlled by external contact
- Protection for short-circuit, overload and battery polarity inverted
- Charging current limiting trimmer resistor
- Alarm relay output with changeover contact.

Protections:

- Input fuse at AC side
- Output protection to protect the battery (in case of battery charger malfunction)
- Short circuit at output side (hiccup mode)
- Reverse polarity
- Automatic reset when the anomaly is removed.

LED indications:

- Power ON
- Charging operation ($I > 20\% I_c$)
- Overload or short circuit
- Battery polarity inverted.

Operational characteristics

- Auxiliary supply voltage: 110...240VAC (90...264VAC)
- Charging voltage selectable between two values by dip-switch:
 - Not sealed Lead-Acid batteries
 - Sealed Lead-Acid batteries
- Maximum charging current setting by external trimmer:
 - 20...100% of rated current
- Changeover output for alarming:
 - 30VDC 5A
 - Active if alarms are not present
- Charging working cycle constant current / constant voltage in accordance with DIN 41773 standards
- IEC degree of protection: IP20.

Alarm output circuit

- Type of output: 5A 30VDC relay (AC1).

Certifications and compliance

Certifications: cULus (pending)
Compliant with standards: IEC/EN 60950-1, IEC/EN 61000-6-2, IEC/EN 61000-6-3, UL 60950-1, CSA C22.2 n°60950-1.

For lead-acid batteries



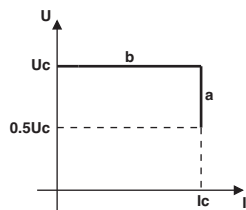
31 BCE 0312
31 BCE 2V524



31 BCE 0612
31 BCE 0524



31 BCE 1212
31 BCE 1024



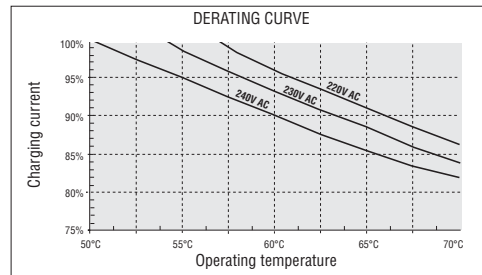
a - constant current charge
b - constant voltage charge

Order code	Rated output current	Rated output voltage DC	Qty per pkg	Wt
	[A]	[V]	n°	[kg]
1 charging level.				
31 BCE 0312	3	12	1	1.984
31 BCE 0612	6		1	4.832
31 BCE 1212	12		1	8.690
31 BCE 2V524	2,5	24	1	1.992
31 BCE 0524	5		1	4.960
31 BCE 1024	10		1	9.560

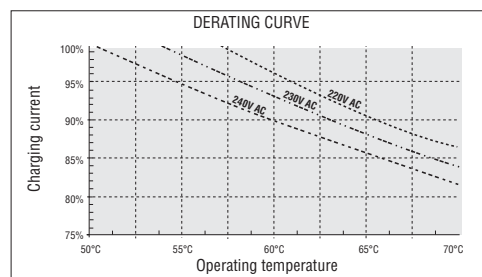
Type	Maximum power consumption	dissipation	Mains fuse	Output fuse
	[VA]	[W]	[A]	[A]
BCE 0312	117	24	—	6.3
BCE 0612	222	46	4	12.5
BCE 1212	400	73	6.3	25
BCE 2V524	166	26	—	6.3
BCE 0524	317	40	4	12.5
BCE 1024	610	66	6.3	25

DERATING CURVES

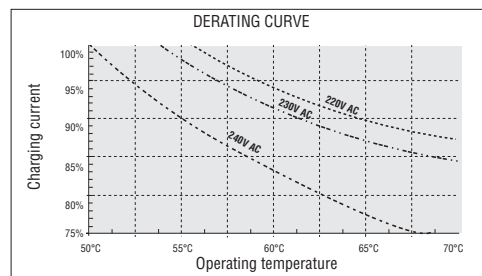
BCE 2V5 - BCE 03



BCE 05 - BCE 06



BCE 10 - BCE 12



General characteristics

- Linear technology
- Screw fixing mounting.
- Protections:
 - Mains input fuse (except for BCE 2V5 and BCE 03)
 - Battery output fuse
 - Electronic lock in case of short circuit on battery terminals, battery polarity inversion, low voltage across battery poles (<0.5 Ue) and disconnected battery
- Alarm output:
 - Negative static, NPN transistor for BCE 2V5 and BCE 03
 - Relay for BCE 05, BCE 06, BCE 10 and BCE 12.
- LED indications:
 - Power ON
 - Charge ($I > 20\% I_c$)
 - Alarm for protection tripping.

Operational characteristics

- Auxiliary supply voltage: 220...240VAC ($\pm 10\%$), 50/60Hz ($\pm 5\%$)
- Charging current: 30-100% I_e adjustable
- Charging cycle: in accordance with DIN 41773 standards
- Current limitation
- IEC degree of protection: IP00
- Clamping screw terminal block with captive screws:
 - Removable for BCE 03 and BCE 2V5
 - Fixed for BCE 05, BCE 06, BCE 10 and BCE 12.

Alarms

BCE 2V524 - BCE 0312
These types have a static alarm output for the control of a relay or indicator, maximum 300mA duty. If it is connected to a relay, this must be normally energised in absence of alarm. In alarm conditions with ALARM LED switched on or in absence of supply, the relay de-energises.

BCE 0524 - BCE 0612 - BCE 1024 - BCE 1212
These types have a normally energised relay alarm output.

In alarm conditions with ALARM LED switched on or in absence of supply, the relay de-energises. Possible causes of alarm include:

- Low battery voltage
- Battery fuse blown
- Battery not connected
- Battery polarity inverted.

Alarm output circuit

- BCE 2V524 - BCE 0312**
- Type of output:
 - Negative static; NPN transistor
 - Maximum voltage applicable to load: +V battery terminal
 - Maximum output current: 300mA
 - Maximum overload current for 1 second: 2A
 - Dynamic over-voltage protection with inductive load.

BCE 0524 - BCE 0612 - BCE 1024 - BCE 1212

- Type of output:
 - Relay: 1 changeover contact (SPDT)
 - Rated voltage: 250VAC
 - Maximum admissible voltage: 440VAC
 - IEC rated capacity in AC1 duty: 5A 250VAC Ith
 - IEC rated capacity in DC13 or DC14 duty: 5A 30VDC
 - Electrical life: $>10^5$ cycles
 - Mechanical life: $>30 \times 10^5$ cycles.

❶ The output is not overload or short-circuit protected. It is however capable of switching on a 3W filament bulb.

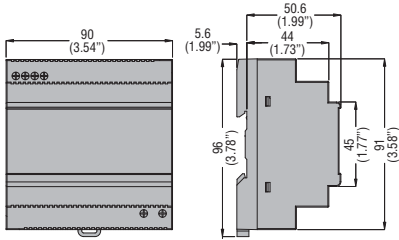
Certifications and compliance

Certifications obtained: GOST.
Compliant with standards: IEC/EN 60335-2-29.

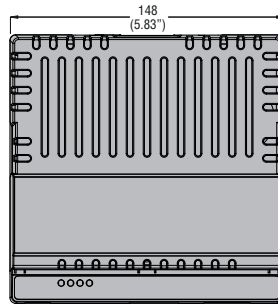
Automatic battery chargers

Dimensions [mm (in)]

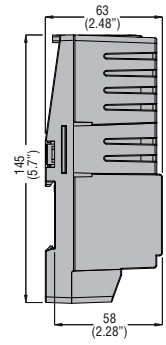
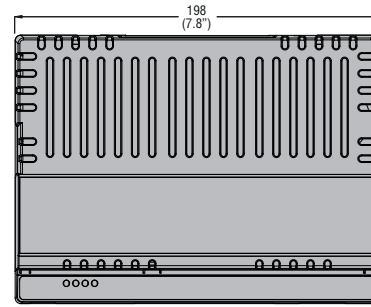
BCF...



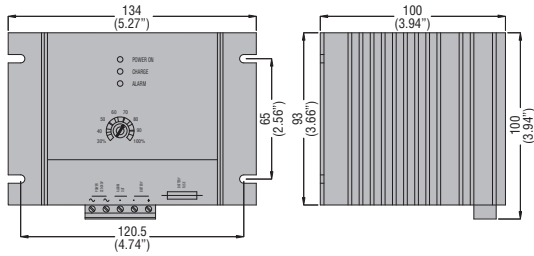
BCG 06 12 - BCG 05 24



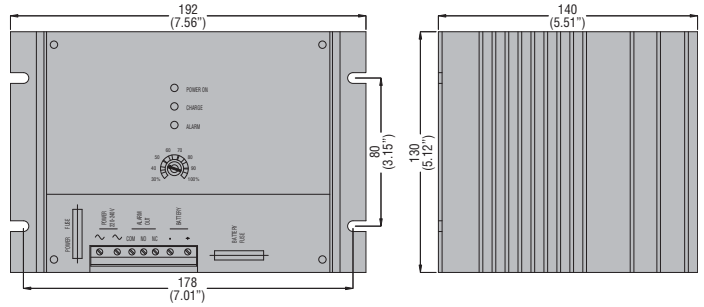
BCG 12 12 - BCG 10 24



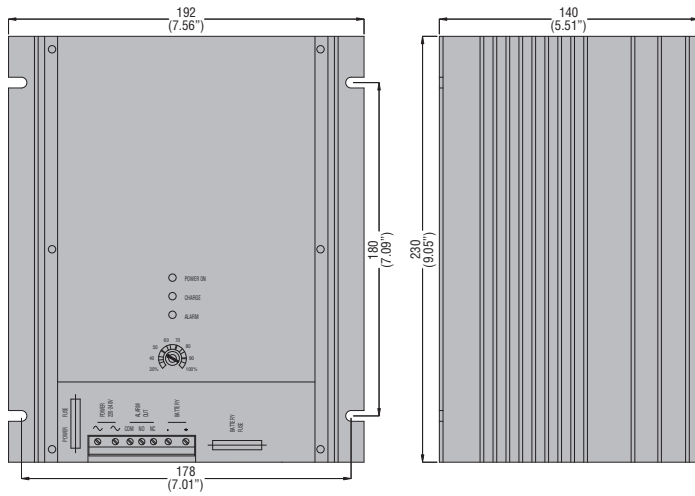
BCE 0312 - BCE 2V524



BCE 0612 - BCE 0524

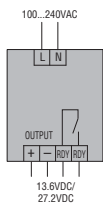


BCE 1212 - BCE 1024

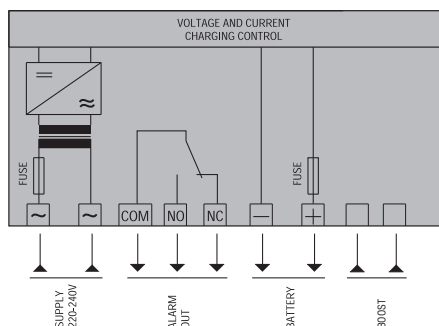


Wiring diagrams

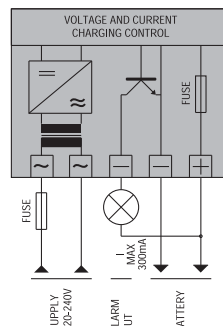
BCF...



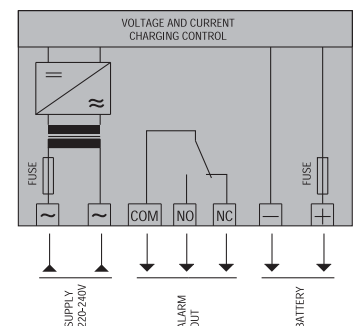
BCG...



BCE 2V5... - BCE 03...



BCE 05... - BCE 06... - BCE 10... - BCE 12...



TYPE	BCG...	BCF...	BCE...
Description	Single phase automatic battery charger 1 charging level for sealed and not sealed lead-acid batteries	Single phase automatic battery charger 1 charging level for not sealed lead-acid batteries	
Supply voltage	110...240VAC -20...+10% 50/60Hz	100...240VAC ±10% 50/60Hz	220...240VAC ±10% 50/60Hz
Rated output voltage U _e	12-24VDC		
Rated charging current I _e	6-12A (12VDC) 5-10A (24VDC)	2.5-4.5A (12VDC) 1.25-2.5A (24VDC)	3-6-12A (12VDC) 2.5-5-10A (24VDC)
CHARGING CYCLE			
Reference standards	DIN 41773		
Diagram	<p>a - constant current charge b - constant voltage charge</p>		
End charge voltage U _c	12V battery: 13.8 or 13.5VDC (default) 24V battery: 27.0 or 26.7VDC (default)	12V battery: 13.6VDC (2.27V/cell) 24V battery: 27.2VDC (2.27V/cell)	12V battery: 13.8VDC (2.3V/cell) 24V battery: 27.6VDC (2.3V/cell)
Charge current I _c	Adjustable 20% to 100% I _e (using potentiometer)	Fixed	Adjustable 30% to 100% I _e (using potentiometer)
Current limit	Yes		
Boost	+4.4% U _c	—	—
PROTECTIONS			
	<ul style="list-style-type: none"> – Mains supply fuse – Charging inhibition due to: <ul style="list-style-type: none"> • short circuit at battery terminals • battery polarity inverted • low voltage at battery poles (<0.5 U_e) 	<ul style="list-style-type: none"> – Mains supply fuse – Charging inhibition due to: <ul style="list-style-type: none"> • short circuit at battery terminals • battery polarity inverted • low voltage at battery poles (<0.5 U_e) 	<ul style="list-style-type: none"> – Mains supply fuse (5, 6, 10, 12A types only) – Battery output fuse – Charging inhibition due to: <ul style="list-style-type: none"> • short circuit at battery terminals • battery polarity inverted • low voltage at battery poles (<0.5 U_e) • disconnected battery
ALARM OUTPUT CIRCUIT			
Type of output	1 relay 5A 30VDC	1 relay 3A 250VAC (AC1)	Static (NPN transistor) ❶; relay with 1 c/o contact (SPDT), 5A 250VAC ❷
AMBIENT CONDITIONS			
Operating temperature	-30...+55°C (+55...70°C with derating -1,5%In / °C)	-40...+51°C	-10...+50°C
Storage temperature	-30...+80°C	-40...+85°C	-30...+80°C
HOUSING			
Version	—	Modular	Open frame
Degree of protection	IP20	IP20	IP00
Cooling	Natural		
Connections	Fixed terminals	Fixed terminals	Removable/plug-in terminals❶ Fixed terminals❷

❶ For 2.5A and 3A types only.
❷ For 5, 6, 10 and 12A types only.



ENERGY AND AUTOMATION

www.LovatoElectric.com

LOVATO ELECTRIC S.P.A.

VIA DON E. MAZZA, 12 - 24020 GORLE (BERGAMO) ITALY

Tel. +39 035 4282111 Fax +39 035 4282200

E-mail: info@LovatoElectric.com

Sales Department: Tel. +39 035 4282354 - Fax +39 035 4282400

LOVATO Electric offices in the world

United Kingdom

LOVATO ELECTRIC LTD
Tel. +44 8458 110023
www.Lovato.co.uk

Czech Republic

LOVATO ELECTRIC S.R.O.
Tel. +420 226 203203
www.LovatoElectric.cz

Germany

LOVATO ELECTRIC GmbH
Tel. +49 7243 7669370
www.LovatoElectric.de

USA

LOVATO ELECTRIC INC
Tel. +1 757 5454700
www.LovatoUsa.com

Spain

LOVATO ELECTRIC S.L.U.
Tel. +34 93 7812016
www.LovatoElectric.es

Canada

LOVATO ELECTRIC CORP.
Tel. +1 450 6819200
www.Lovato.ca

Poland

LOVATO ELECTRIC SP. Z O.O.
Tel. +48 71 7979010
www.LovatoElectric.pl

United Arab Emirates

LOVATO ELECTRIC ME FZE
Tel. +971 4 3712713
www.LovatoElectric.ae

Turkey

LOVATO ELEKTRİK LTD
Tel. +90 216 5401426-27
www.LovatoElectric.com.tr

The products described in this publication are subject to be revised or improved at any moment. Catalogue descriptions and details, such as technical and operational data, drawings, diagrams and instructions, etc., do not have any contractual value. In addition, products should be installed and used by qualified personnel and in compliance with the regulations in force for electrical systems in order to avoid damages and safety hazards.