

Pixsys pressure sensor (Flush Membrane Transmitter)

Safety standards

Carefully read the instructions and safety measures in this manual before using the device. Disconnect power before performing any interventions on the electrical connections or hardware settings. Only qualified personnel may use/perform maintenance in full respect of the technical data and declared environmental conditions. Do not dispose of electrical appliances together with household waste. In compliance with the European Directive 2002/96/EC, waste electrical equipment must be collected separately for eco-compatible reuse or recycling.

1 Technical specifications


Accuracy	± 0.5% F.S.
Operating temperature	-40°C ... +85°C
Media temperature	-40°C ... +125°C

Sealing temperature range	FTP:	-15°C ... +125°C mat. FPM (FKM)
	FTP:	-25°C ... +100°C mat. NBR (FKM)




2 Ordering codes

Item code	Description	Item code	Description	Item code	Description	Item code	Description
2000.40.138	0...1 bar	2000.40.139	0...4 bar	2000.40.141	0...10 bar	2000.40.148	0...40 bar
2000.40.153	0...2,5 bar	2000.40.140	0...6 bar	2000.40.144	0...25 bar	2000.40.143	0...100 bar

3 Type label description (example 10 bar model)


1 2000.40.141
 P021399999999

2
 0...10 bar FLUSH MEMB. TRANS.
 RELATIVE, - OUT 4...20 mA
 G 1/2" - ACCURACY +/-0.5%
 DIN 43650-A Pin2(+) Pin1(-)

MADE IN SWITZERLAND




1 Item code

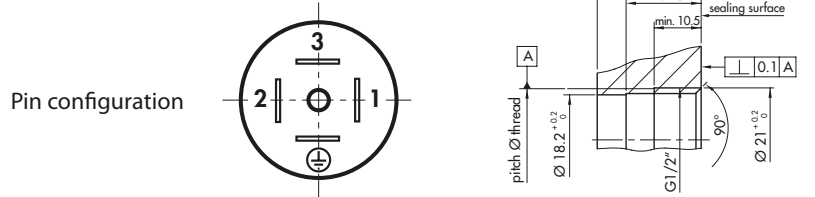
2 Measuring range

3 Option description

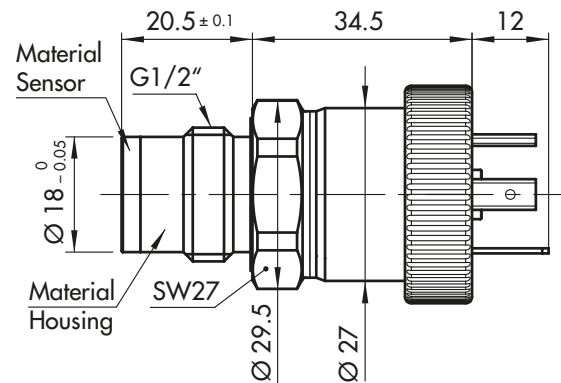
4 Electrical connections

Output	Load resistance	I _{SUPPLY}	U _{SUPPLY}
4 ... 20 mA	(U _{Supply} -9V) / 20mA		9 ... 30 VDC

Features	
Input Protection	IP65
Designation	Industrial Standard
Type code	2000.40.XXX



4.1 Pressure connection



4.2 Connection of the measuring equipment

