



Cembre



BATTERY OPERATED HYDRAULIC CUTTING TOOL COUPE-CABLE HYDRAULIQUE SUR BATTERIE HYDRAULISCHES AKKU-SCHNEIDWERKZEUG HERRAMIENTA HIDRÁULICA DE CORTE A BATERÍA UTENSILE OLEODINAMICO DA TAGLIO A BATTERIA

B-TC450 B-TC450A B-TC450E B-TC450T



ENGLISH
FRANÇAIS
DEUTSCH
ESPAÑOL
ITALIANO

| | |
|---|----|
| OPERATION AND MAINTENANCE MANUAL | 5 |
| NOTICE D'UTILISATION ET ENTRETIEN | 10 |
| BEDIENUNGSANLEITUNG | 15 |
| MANUAL DE USO Y MANTENIMIENTO | 20 |
| MANUALE D'USO E MANUTENZIONE..... | 25 |

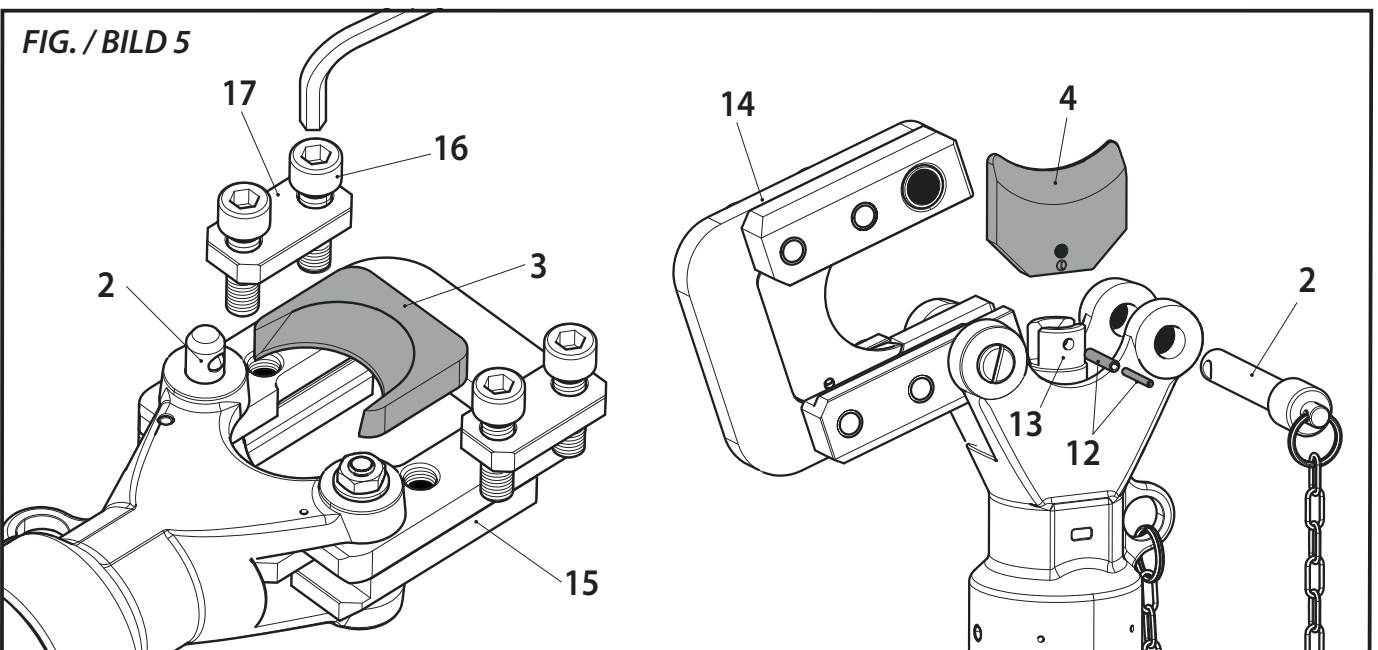
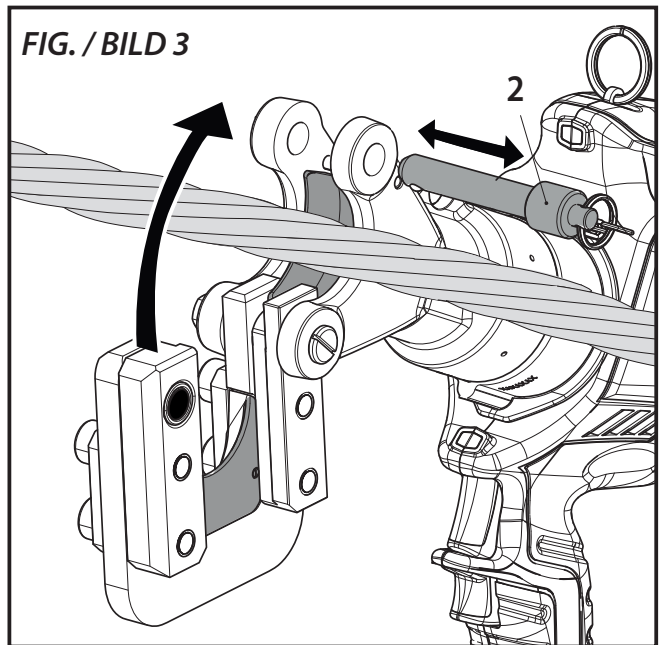
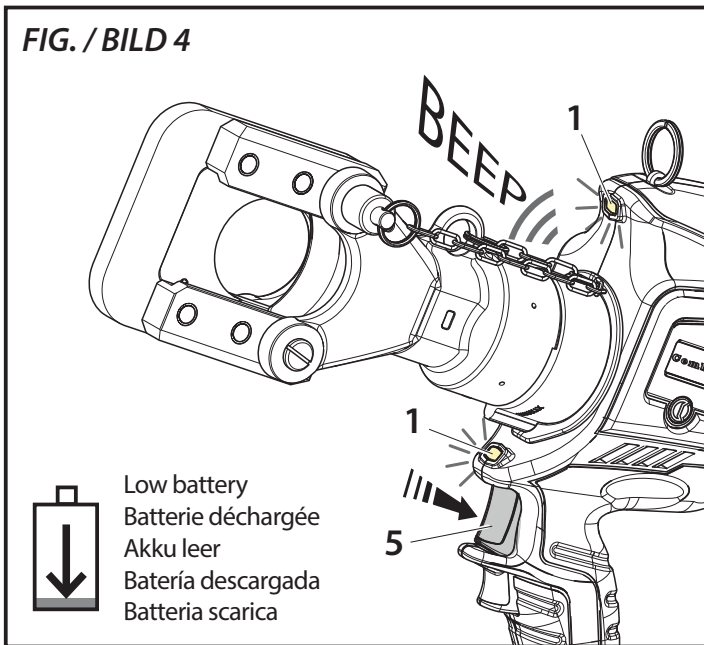
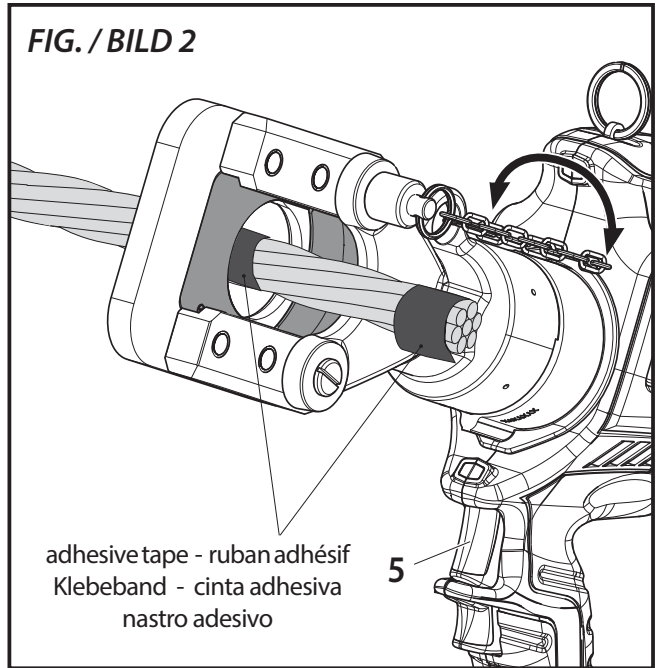
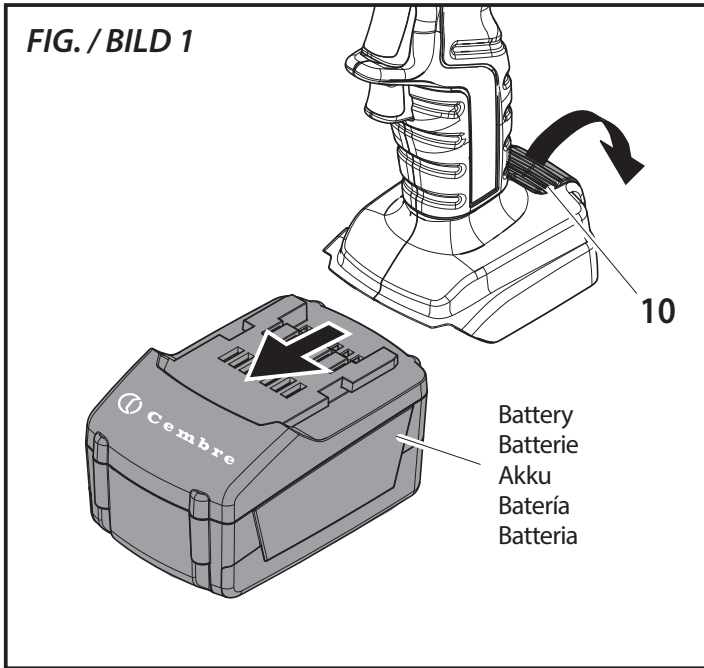







FIG. / BILD 6







| | |
|----|--|
| 1 | LED WORKLIGHT / ECLAIRAGE PAR LED / LED ARBEITSLICHT / LUCES LED / ILLUMINAZIONE LED |
| 2 | LOCKING PIN / AXE DE BLOCAGE / BLOCKIERUNGSBOLZEN / PASADOR DE SUJECIÓN / PERNO DI BLOCCAGGIO |
| 3 | UPPER BLADE / LAME SUPERIEURE / GEGENMESSER / CUCHILLA SUPERIOR / LAMA SUPERIORE |
| 4 | LOWER BLADE / LAME INFERIEURE / SCHNEIDMESSER / CUCHILLA INFERIOR / LAMA INFERIORE |
| 5 | OPERATING BUTTON / GACHETTE DE COMMANDE / STARTKNOPF / BOTÓN DE ACCIONAMIENTO / PULSANTE DI AZIONAMENTO |
| 6 | PRESSURE RELEASE BUTTON / GACHETTE DE DECOMPRESSION / DRUCKABLASSKNOPF / BOTÓN DE DESBLOQUEO PRESIÓN / PULSANTE DI RILASCIO |
| 7 | BATTERY / BATTERIE / AKKU / BATERÍA / BATTERIA |
| 8 | BATTERY CAPACITY INDICATOR / INDICATEUR DE CHARGE / AKKUANZEIGE / INDICADOR DE CARGA BATERIA / INDICATORI AUTONOMIA BATTERIA |
| 9 | BATTERY CHECK BUTTON / BOUTON POUR CONTROL DE LA BATTERIE / TASTE FÜR AKKUÜBERPRÜFUNG / BOTÓN DE CONTROL BATERÍA / PULSANTE DI VERIFICA BATTERIA |
| 10 | BATTERY RELEASE / DEBLOCAGE BATTERIE / AKKU ENTRIEGELUNG / DESBLOQUEO BATERÍA / SBLOCCO BATTERIA |
| 11 | RING FOR SHOULDER STRAP / ANNEAU POUR BANDOULIERE / TRAGERIEMENRING / ANILLO PARA CORREA / ANELLO AGGANCIAMENTO TRACOLLA |

WARNING SYMBOLS - SYMBOLES D'AVERTISSEMENT - WARNSYMBOL - SÍMBOLOS DE ADVERTENCIA - SIMBOLI DI AVVERTENZA

Tool - Outil - Werkzeug - Herramienta - Utensile

| | |
|---|--|
|  | <ul style="list-style-type: none"> - Before using the tool, carefully read the instructions in this manual. - Avant d'utiliser cet outil, lire attentivement les instructions de cette notice. - Vor Inbetriebnahme unbedingt die Bedienungsanleitung durchlesen. - Antes de utilizar la herramienta, leer atentamente las instrucciones en este manual. - Prima di utilizzare l'utensile, leggere attentamente le istruzioni riportate in questo manuale. |
|  | <ul style="list-style-type: none"> - Keep hands clear of cutting blades. - Au cours du coupage, tenir les mains éloignées des lames. - Während des Schneidens die Hände von den Messern fernhalten. - Durante el corte, tener las manos alejadas de las cuchillas. - Durante il taglio, tenere le mani lontane dalle lame. |
|   | <ul style="list-style-type: none"> - Ensure appropriate Personal Protective Equipment (PPE) is used - including hand and eye protection. - Assurez-vous d'utiliser équipements de protection individuelle (EPI) y compris la protection pour les mains et les yeux. - Achten Sie darauf geeignete persönliche Schutzausrüstung (PSA) zu verwenden, einschließlich für Hände und Augen. - Asegúrese de utilizar el equipo de protección personal (EPP) que incluye protección para las manos y los ojos. - Assicurarsi di utilizzare adeguati dispositivi di protezione personale (DPI) include protezioni per mani e occhi. |
|  | <ul style="list-style-type: none"> - User information (Directives 2011/65/EU and 2012/19/EU), see page 9. - Information pour les utilisateurs (Directives 2011/65/EU et 2012/19/EU) voir page 14. - Information für den Benutzer (Richtlinien 2011/65/EU und 2012/19/EU) siehe Seite 19. - Informe para los usuarios (Directivas 2011/65/EU y 2012/19/EU) vease página 24. - Informazione agli utenti (Direttive 2011/65/EU e 2012/19/EU) vedere pagina 29. |

Battery - Batterie - Akku - Batería - Batteria

| | |
|---|--|
|   | <ul style="list-style-type: none"> - Never throw batteries into fire or water. - Jamais jeter les batteries dans le feu ou dans l'eau. - Werfen Sie Akkus nicht ins Feuer oder Wasser. - Nunca tire las baterías al fuego o al agua. - Mai gettare le batterie nel fuoco o in acqua. |
|  | <ul style="list-style-type: none"> - Always recycle the batteries. - Recycler toujours les batteries. - Verbrauchte Akkus stets dem Recycling zuführen. - Reutilizar siempre las baterías. - Riciclare sempre le batterie. |
|  | <ul style="list-style-type: none"> - Do not discard batteries into domestic refuse or waste disposal. - Ne pas jeter de batteries dans une poubelle ou autre lieu non prévu à cet effet. - Verbrauchte Akkus nicht der allgemeinen Abfallentsorgung zuführen. - No tirar las baterías al cubo de basura o lugar parecido. - Non buttate le batterie fuori uso nei cestini della spazzatura o luoghi simili. |

1. GENERAL CHARACTERISTICS

| | | B-TC450 | B-TC450E | B-TC450T | B-TC450A |
|--------------------------------------|------------------|---|----------|----------|----------|
| Application range | | suitable for cutting Copper, Aluminium, ACSR and Steel conductors, ropes and rods (Ref. to pag. 30) | | | |
| Max. cutting diameter | mm (inches) | 45 (1-25/32") | | | |
| Operating pressure | bar (psi) | 700 (10,000) | | | |
| Dimensions | mm (inches) | 407 x 401 x 88 (16 x 15.8 x 3.5) | | | |
| Weight with battery | kg (lbs) | 6,7 (14.7) | | | |
| Motor | V DC | 18 | | | |
| Operating temperature | °C (°F) | -15 to +50 (+5 to +122) | | | |
| Recommended oil | | AGIP ARNICA 32 or equivalents | | | |
| Operating speed | | twin speed operation and automatic switching from a rapid advancing speed of the ram to a slower, more powerful speed | | | |
| Safety | | maximum pressure valve | | | |
| Rechargeable battery | V / Ah / Wh | 18 / 4.0 / 72 | | | |
| Type | | CB1840L (Li-Ion) | | | |
| Weight | kg (lbs) | 0,66 (1.45) | | | |
| Battery charger | type | EU | UK | AUS/NZ | USA/CAN |
| ASC30-36 | | 27044000 | 27045000 | 27047000 | 27046000 |
| Input | V / Hz | 220 - 240 / 50 - 60 | | | 115 / 60 |
| | W | 85 | | | |
| Acoustic noise ⁽¹⁾ | | | | | |
| L _{pA} | dB (A) | 73 | | | |
| L _{pCPeak} | dB (C) | 94.5 | | | |
| L _{WA} | dB (A) | 79 | | | |
| Vibration ⁽²⁾ | m/s ² | 0.575 max. | | | |

⁽¹⁾ Directive 2006/42/EC, annexe 1, point 1.7.4.2 letter u

L_{pA} = weighted continuous acoustic pressure level equivalent.

L_{pCPeak} = maximum value of the weighted acoustic displacement pressure at the work place.

L_{WA} = acoustic power level emitted by the machine.

⁽²⁾ Directive 2006/42/EC, annexe 1, point 2.2.1.1

Weighted root mean square in frequency of the acceleration the upper limbs are exposed to for each biodynamic reference axis. Tests carried out in compliance with the indications contained in EN ISO 5349-1/2 Standard, and under operating conditions much more severe than those normally found.



WARNING

- ▶ **Do not use the tool for purposes other than those intended by Cembre.**
The operator should concentrate on the work being performed and be careful to maintain balanced working position.
Work in a clean, uncluttered area. Keep persons away from immediate work area.
- ▶ **Inspect the blades before each use. Do not use damaged blades.**
Damaged blades can break and cause injury or damage to the tool.
- ▶ **Before each use, verify the integrity of the tool; replace any worn, possibly damaged or missing parts with original Cembre spares.**
- ▶ **Wear eye protection. Metal chips can fly from blades when cutting.**
- ▶ **Pay attention when cutting short, free pieces of steel rod or rope as they may fly off dangerously, causing injury to the operator or persons nearby.**
- ▶ **Do not cut live cables or conductors.**
- ▶ **The tool is unsuitable for continuous use and should be allowed to cool down following uninterrupted, successive cutting operations; for instance, having exhausted a fully charged battery in one session, delay battery replacement for a few minutes.**
- ▶ **Protect the tool from rain and moisture. Water will damage the tool and battery. Electro-hydraulic tools should not be operated in pouring rain.**




The part reference includes the following:

- ▶ Hydraulic cutting tool.
- ▶ Li-Ion rechargeable battery (2 pcs).
- ▶ Battery charger (model depends on the tool version).
- ▶ Shoulder strap.
- ▶ Carrying case.
- ▶ USB cable (Ref. to § 5).

2. INSTRUCTIONS FOR USE

The tool can be easily carried using either the handle or the shoulder strap attached to ring (11) (Ref. to Fig. 6).

 **Before starting any work, check the battery charge (Ref. to § 2.7) and recharge if necessary, following the instructions in the battery charger user manual.**

To replace the battery, remove it by pressing the release button (10) (Ref. to Fig. 1), then insert the new battery, sliding it into the guides until it locks.


2.1) Head rotation

For ease of operation, the tool head can rotate through 180°, allowing the operator to work in the most comfortable position (Ref. to Fig. 2 and 3).

 **Do not attempt to rotate the head when the hydraulic circuit is pressurised.**

2.2) Setting

► Insert the conductor between the blades, up to the desired cutting point (Ref. to Fig. 2).

 **To cut short pieces of steel or ACSR ropes, it is suggested to tie or wrap rope with adhesive or duct tape around the area to be cut and at its end (Ref. to Fig. 2), so to limit the projection of steel fragments which could damage or hurt the operator.**

► For a running conductor, remove the locking pin (2) and open the tool head.

 **Fully retract the lower blade (4) before attempting to open the tool head (Ref. to § 2.6).**


► With the conductor on the lower blade (4), close the tool head and fully insert the locking pin (2) (Ref. to Fig. 3).

 **Before commencing the cutting operation ensure that the pin (2) is fully secured: partial closure may damage the tool head.**

2.3) Blade advancement

► Operate the push-button (5) (Ref. to Fig. 2) to activate the motor-pump, the ram will gradually move forward until the lower blade (4) touches the conductor.

► To halt the advancement, release the push-button (06) and the motor will cut out.

 **Make sure the blade is exactly positioned on the desired cutting point otherwise re-open the blade following instructions as per § 2.6 and reposition it.**

2.4) Cutting

► Firmly hold the tool and operate the push-button (5) to gradually move the lower blade (4) to cut through the conductor.

► When the cut is performed, release the push-button (5), otherwise after the maximum pressure relief valve has activated the motor will stop automatically.

2.5) LED Worklights

- ▶ Whilst the tool is in operation, the work area is illuminated by two high luminosity LED Worklights that switch off automatically at the end of the cycle.

2.6) Blade retraction

- ▶ By operating the pressure release button (6), the ram will retract and open the blades.

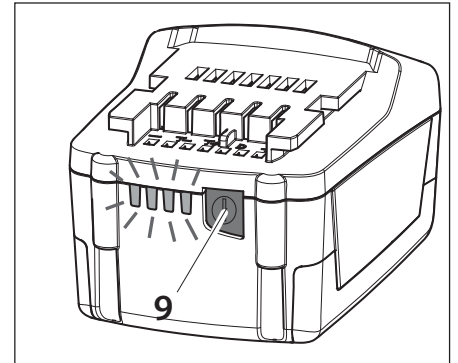
2.7) Battery status

- ▶ The battery is equipped with LED indicators that indicate the remaining battery life at any time by pressing the adjacent button (9):

4 LEDs illuminated: fully charged

2 LEDs illuminated: 50 % capacity

1 LED flashing: minimum charge, replace the battery



i *Tool LEDs (1) illuminated combined with an alarm audible when the operating button (5) is pressed (Ref. to Fig. 4), indicate that the battery voltage has dropped below a minimum safety threshold; under these conditions the tool will not start, and it is necessary to recharge or replace the battery.*

The approximate time to fully recharge a battery is about 80 minutes.

i *After each working cycle, and after the extraction of the battery from the tool, an integrated battery cut-off device will operate after 70 s approx. Then the LED nearest to button (9) will flash 5 times each 14 s approx. The battery will be reactivated when it is reintroduced into the tool and the operating button is pressed.*

2.8) Using the battery charger

- ▶ Carefully follow the instructions in the battery charger user manual.

3. MAINTENANCE

The tool is robust, completely sealed, and requires very little daily maintenance. Compliance with the following points, should help to maintain its optimum performance:

3.1) Thorough cleaning

- ▶ Dust, sand and dirt are a danger for any hydraulic device. Every day, after use, the tool must be wiped with a clean cloth taking care to remove any residue, especially close to pivots and moveable parts.

Do not use hydrocarbons to clean the rubber parts.

- ▶ Regularly lubricate the moving parts and pivot pins of the head with a few drops of oil.

3.2) Storage case

When not in use, the tool should be stored and transported in the plastic case, to prevent damage. The case, type VAL P37, is suitable for storing the tool and accessories.

VAL P37: Size 500x480x128 mm (19.7x18.9x5.0 inches). Weight 3,1 kg (6.8 lbs).

4. BLADE REPLACEMENT (Ref. to Fig. 5)



When changing blades, the battery must first be removed from the tool.

After extended use, the blades may break or lose their cutting edge.

Replace the blades as follows:

► Lower blade

- Remove locking pin (2), and open the tool head completely.
- Operate the tool to advance the lower blade (4) and remove the battery.
- Eject two split pins (12) from the ram (13) to release the blade (4).
- Remove the broken blade from the ram, insert the new blade and fit with two split pins.



Before closing the tool head, push the release button (6) and fully retract the lower blade, otherwise the tool head assembly may hit and damage the lower blade.

► Upper blade

- With the lower blade (4) fully retracted, the tool head closed and the locking pin (2) fully secured, hold the head by the blade spacer (15) in a bench vice with screws (16) facing upwards.
- With an 8 mm allen key, unscrew 4 screws (16), remove the two holding plates (17) and the upper blade (3).
- Insert the new blade, noting the position of the cutting edge bevel.
- Fit the 2 holding plates (17) and secure with 4 screws (16).

5. CONNECTION TO COMPUTER

The memory card integrated in the tool records operating data from 200.000 cycles for transfer via the USB cable supplied.

To view and manage this data, go to www.cembre.com and register in the dedicated area, then download the free **Cembre** software **CEM_SWBT01**.

Keeping the Firmware of the tool updated, via free of charge download from here, will optimise the tool's performance.

Following information applies in member states of the European Union:

USER INFORMATION in accordance with Directives 2011/65/EU and 2012/19/EU.

The Not in the bin symbol above when shown on equipment or packaging means that the equipment must, at the end of its life, be disposed of separately from other waste.

The separate waste collection of such equipment is organised and managed by the manufacturer.

Users wishing to dispose of such equipment must contact the manufacturer and follow the prescribed guidelines for its separate collection. Appropriate waste separation, collection, environmentally compatible treatment and disposal is intended to reduce harmful environmental effects and promote the reuse and recycling of materials contained in the equipment. Unlawful disposal of such equipment will be subject to the application of administrative sanctions provided by current legislation.

1. CARACTERISTIQUES GENERALES

FRANÇAIS

| | | B-TC450 | B-TC450E | B-TC450T | B-TC450A |
|---|------------------|---|----------------|--------------------|---------------------|
| Domaine d'application | | conçu pour couper des câbles métalliques en cuivre, aluminium, almelec, aluminium-acier, acier et ronds massif (voir page 30) | | | |
| Diamètre maxi. de coupe | mm (inches) | 45 (1-25/32") | | | |
| Pression de travail | bar (psi) | 700 (10,000) | | | |
| Dimensions | mm (inches) | 407 x 401 x 88 (16 x 15.8 x 3.5) | | | |
| Poids avec batterie | kg (lbs) | 6,7 (14.7) | | | |
| Moteur | V DC | 18 | | | |
| Température de fonctionnement: | °C (°F) | -15 à +50 (+5 à +122) | | | |
| Huile recommandée: | | AGIP ARNICA 32 ou équivalents. | | | |
| Avance rapide: | | l'outil passe automatiquement de la vitesse rapide à la vitesse lente de coupe | | | |
| Sécurité | | valve de surpression | | | |
| Batterie rechargeable | V / Ah / Wh | 18 / 4.0 / 72 | | | |
| Type | | CB1840L (LI-Ion) | | | |
| Poids | kg (lbs) | 0.66 | | | |
| Chargeur de batterie | type | EU 27044000 | UK 27045000 | AUS/NZ 27047000 | USA/CAN 27046000 |
| ASC30-36 | V / Hz | 220 - 240 / 50 - 60 | | | 115 / 60 |
| Alimentation | W | 85 | | | |
| Bruit aérien sonore ⁽¹⁾ | | | | | |
| L _{pA} | dB (A) | 73 | | | |
| L _{pCPeak} | dB (C) | 94.5 | | | |
| L _{WA} | dB (A) | 79 | | | |
| Vibrations ⁽²⁾ | m/s ² | 0.575 maxi | | | |

⁽¹⁾ Directive 2006/42/CE, annexe 1, point 1.7.4.2, lettre u

L_{pA} = niveau de pression sonore continue équivalente pondérée A sur le poste de travail.

L_{pCPeak} = valeur de pression sonore instantanée pondérée C sur le poste de travail.

L_{WA} = niveau de puissance acoustique dégagée par la machine.

⁽²⁾ Directive 2006/42/CE, annexe 1, point 2.2.1.1

Valeur quadratique moyenne pondérée en fréquence de l'accélération à laquelle sont exposés les membres supérieurs pour chaque axe biodynamique de référence. Relevés réalisés suivant les indications de la Norme EN ISO 5349-1/2, dans des conditions de service largement représentatives des conditions d'emploi normales.



AVERTISSEMENT

- ▶ *Ne pas utiliser cet outil à des fins différentes que celles prévues par le constructeur. Restez bien attentif tout au long du travail, ne soyez pas distrait, ne perdez pas l'équilibre pendant l'utilisation.
Travailler dans un espace propre et ordonné. Eloigner les personnes de la zone de travail.*
- ▶ *Contrôler les lames avant chaque utilisation. Ne pas utiliser l'outil avec une lame endommagée. Les lames endommagées peuvent abîmer l'outil.*
- ▶ *Remplacer les pièces usagées et éventuellement endommagées ou manquantes avec des pièces de rechange originales Cembre.*
- ▶ *Toujours porter une visière de protection pendant les opérations de coupe, car de petits éclats de câbles peuvent être propulsés.*
- ▶ *Faire attention au moment de couper de morceaux courts des câbles ou ronds massif en acier, car ils pourraient être projetés dangereusement et blesser l'opérateur ou une personne proche.*
- ▶ *Ne pas couper de câble sous tension électrique.*
- ▶ *L'outil n'est pas conçu pour une utilisation en continu; après avoir effectué une quantité de coupe consécutives à partir d'une batterie complètement chargée, au moment du remplacement de la batterie, nous suggérons d'observer une période d'arrêt pour permettre le refroidissement de l'outil.*
- ▶ *Protéger l'outil de la pluie et de l'humidité. L'eau pourrait endommager l'outil et la batterie, les outils hydro-électriques ne devraient pas être utilisés sous la pluie.*



L'ensemble comprend:

- ▶ Coupe-câble hydraulique.
- ▶ Batterie rechargeable Li-Ion (2 pcs).
- ▶ Chargeur de batterie (différent en fonction de la version de l'outil).
- ▶ Bandoulière.
- ▶ Coffret de rangement.
- ▶ Câble USB (Voir § 5).

2. INSTRUCTIONS D'UTILISATION

L'outil peut être transporté facilement grâce à sa poignée et à la bandoulière accrochée par l'anneau (11) (Réf a Fig. 2).



Avant de commencer toute opération, contrôler l'état de charge de la batterie (voir § 2.7) et, si nécessaire, la recharger en suivant les instructions contenues dans le manuel d'utilisation du chargeur de batteries.

Pour remplacer la batterie, la retirer en appuyant sur le mécanisme de déblocage (10) (Réf. a Fig. 1) puis introduire la nouvelle batterie en la faisant coulisser sur les guides jusqu'au blocage complet.

2.1) Rotation de la tête

- ▶ La tête de l'outil pivote de 180° par rapport au corps, permettant à l'utilisateur de travailler dans la meilleure position.



Ne pas forcer la rotation de la tête, lorsque le circuit hydraulique est sous pression.

2.2) Préparation

- ▶ Positionner le câble entre les lames de façon à ce qu'elles soient en correspondance avec la position de coupe souhaitée (Réf. a Fig. 2).



Pour couper de courts morceaux de câbles en acier ou en alu-acier, il est suggéré de lier ou bien d'enrouler l'extrémité et le point de coup avec du ruban adhésif (Réf. a Fig. 2); ça limitera la projection d'éclats en acier qui pourrait causer des dommages ou lésions à l'opérateur.

- ▶ Si le câble est passant, il sera alors nécessaire d'ouvrir la tête en tirant l'axe de blocage (2) permettant la rotation et l'ouverture de la tête.



L'ouverture de la tête ne devra être effectuée qu'avec la lame inférieure (4) complètement baissée.

- ▶ Poser la lame inférieure (4) contre le câble à couper, refermer la tête en la verrouillant à l'aide de l'axe (2) (Réf. a Fig. 3).



Avant d'effectuer l'opération de coupe, s'assurer que l'axe (2) soit parfaitement inséré.

2.3) Avance des lames

- ▶ Appuyer sur la gâchette de commande (5) (Réf. a Fig. 2) pour mettre en marche le groupe moteur-pompe; la lame inférieure commence l'approche du câble.
- ▶ La gâchette de commande relâchée, le moteur et l'avance de la lame inférieure cessent immédiatement.



S'assurer que les lames sont bien positionnées sur la zone à couper, sinon desserrer les lames en suivant les instructions du § 2.6 et repositionner le câble.

2.4) Coupe

- ▶ Tenez l'outil fermement et appuyer sur la gâchette de commande (5) pour mettre en marche le moteur; la lame inférieure avance progressivement jusqu'à ce que le câble soit coupé complètement.
- ▶ Relâchez la gâchette de commande (5) lorsque la coupe est effectuée.
Si l'on maintient le moteur actionné, l'outil s'arrêtera automatiquement avec l'intervention de la valve de surpression.

2.5) Led

- ▶ Lors de l'actionnement de l'outil, la zone de travail est éclairée au moyen de deux LED haute luminosité qui s'éteignent automatiquement à la fin du cycle.

2.6) Réouverture des lames

- ▶ En appuyant à fond sur la gâchette de déblocage (6), on provoque le retour du piston et par conséquent l'ouverture de la lame inférieure.

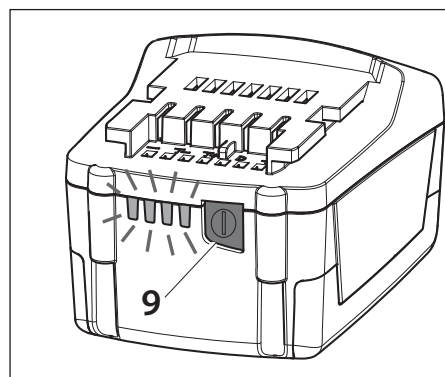
2.7) Autonomie de la batterie

- ▶ La batterie est équipée d'indicateurs à LED qui permettent de contrôler, à tout moment, son autonomie résiduelle en appuyant sur le bouton (9):

4 led allumées: autonomie maximale

2 led allumées: autonomie à 50 %

1 led clignotante: autonomie minimale, remplacer la batterie



i *L'éclairage des Led (1) associé à l'avertisseur sonore lorsqu'on appuie sur le bouton de déclenchement (5) (Réf. à Fig. 4) indique que la batterie est déchargée et que sa tension est descendue au-dessous du seuil minimal de sécurité; dans cette situation, l'outil ne démarre pas, il est donc nécessaire de recharger ou de remplacer la batterie.*

À titre indicatif, le délai de recharge complète de la batterie correspond à environ 80 min.

i *A la fin de chaque cycle de travail comme à l'extraction de la batterie de l'outil, un dispositif électronique arrête automatiquement la batterie après environ 70 s.*

Pour confirmer cette opération, la led la plus proche du bouton (9) clignotera 5 fois en 14s (approximativement). La batterie est réactivée dès sa réintroduction dans l'outil, ou en appuyant sur le bouton d'actionnement.

2.8) Utilisation du chargeur de batterie

- ▶ Suivre attentivement les instructions indiquées sur le manuel.

3. ENTRETIEN

L'outil est robuste, complètement scellé et ne nécessite aucune préoccupation ou attention particulière. Les recommandations qui suivent sont néanmoins souhaitables pour assurer une longévité optimum:

3.1) Nettoyage élémentaire

- ▶ Veiller à protéger l'outil de la poussière, du sable et de la boue qui sont un danger à tout système hydraulique. Chaque jour après utilisation, l'outil doit être nettoyé à l'aide d'un chiffon propre, tout particulièrement aux endroits de pièces mobiles.

Ne jamais utiliser d'hydrocarbures pour le nettoyage des parties en caoutchouc.

- ▶ Lubrifier régulièrement les parties mobiles et les axes de la tête avec quelques gouttes d'huile.

3.2) Rangement

Au repos, pour protéger l'outil des coups accidentels et de la poussière, il convient de le ranger dans le coffret.

Ce coffret (type VAL P37), adapté pour contenir l'outil et ses accessoires a comme dimensions: 500x480x128 mm (19.7x18.9x5.0 inches) et un poids de 3,1 kg (6.8 lbs).

4. CHANGEMENT DES LAMES (Voir Fig. 5)



Le changement des lames doit être effectué avec l'outil dépourvu de batterie.

Il peut arriver qu'une utilisation prolongée ou non appropriée cause la perte d'affûtage des lames ou leur endommagement. Le changement des lames est cependant très simple.

► **Lame inférieure**

- Retirer l'axe de blocage (2) et ouvrir le groupe supérieur, jusqu'à la butée.
- Actionner l'outil pour faire avancer la lame inférieure (4) et enlever la batterie.
- Expulser les goupilles élastiques (12) sur le piston (13) de façon à libérer la lame (4).
- Enlever la vieille lame et introduire la lame neuve sur le piston et la bloquer avec les 2 goupilles élastiques.



Avant de refermer la tête appuyer sur la gâchette de déblocage (6) de façon à ce que la lame inférieure redescende complètement pour éviter qu'elle soit heurtée et endommagée.

► **Lame supérieure**

- La lame inférieure (4) baissée, vérifier que le groupe supérieur soit bien fermé et verrouillé par l'axe de blocage (2), positionner la tête dans un étau en serrant le guide (15) de façon à ce que les vis (16) soient accessibles par le haut.
- A l'aide d'une clé allen de 8 mm, retirer les 4 vis (16), et démonter les deux plaquettes (17); la lame supérieure (3) sera ainsi libérée.
- Positionner la nouvelle lame de façon à ce que le dégorgement du tranchant soit orienté vers le haut.
- Replacer les deux plaquettes (17), et serrer les 4 vis (16).

5. CONNEXION À L'ORDINATEUR

Le fichier de mémoire intégrée dans l'outil permet d'enregistrer les paramètres relatifs aux cycles effectués (200.000 événements) et de pouvoir les transférer vers un ordinateur par l'intermédiaire du câble USB fourni. Pour visualiser et gérer les données mémorisées, le logiciel **Cembre CEM_SWBT01** est disponible gratuitement après enregistrement dans le domaine réservé du site www.cembre.com. Dans ce domaine réservé, il sera alors possible de trouver les mises à jour éventuelles des firmwares permettant à vos propres outils une meilleure efficacité et d'améliorer leurs performances.

Les informations suivantes sont destinées aux pays membres de l'Union Européenne:

INFORMATION POUR LES UTILISATEURS aux termes des Directives 2011/65/EU et 2012/19/EU.

Le symbole poubelle barrée" apposé sur l'appareil ou sur son emballage indique que le produit, à la fin de sa vie utile, doit être recueilli séparément des autres déchets.

La collecte sélective du présent appareil en fin de vie est organisée et gérée par le producteur. L'utilisateur qui voudra se défaire du présent appareil devra par conséquent contacter le producteur et suivre le système que celui-ci a adopté pour consentir la collecte séparée de l'appareil en fin de vie. La collecte sélective adéquate pour l'envoi successif de l'appareil destiné au recyclage, au traitement et à l'élimination compatible avec l'environnement contribue à éviter les effets négatifs possibles sur l'environnement et sur la santé et favorise la réutilisation ou le recyclage des matériaux dont l'appareil est composé. L'élimination abusive du produit par le détenteur comporte l'application des sanctions administratives prévues par les lois en vigueur.

1. ALLGEMEINE EIGENSCHAFTEN

| | | B-TC450 | B-TC450E | B-TC450T | B-TC450A |
|--|------------------|---|----------|----------|----------|
| Anwendungsbereich | | Geeignet zum Schneiden von Kupfer- und Aluminiumkabeln, Aldreyseilen, Stahlseilen und Stahlstangen (siehe Seite 30). | | | |
| Max. Schneiddurchmesser | mm (inches) | 45 (1-25/32") | | | |
| Arbeitsdruck | bar (psi) | 700 (10,000) | | | |
| Abmessungen | mm (inches) | 407 x 401 x 88 (16 x 15.8 x 3.5) | | | |
| Gewicht inkl. Akku | kg (lbs) | 6,7 (14.7) | | | |
| Motor | V DC | 18 | | | |
| Betriebstemperatur: | °C (°F) | -15 bis +50 (+5 bis +122) | | | |
| Empfohlenes Öl: | | AGIP ARNICA 32 oder ähnliches | | | |
| Kolbenvorschub: | | Das Werkzeug ist mit einer Doppelkolbenhydraulik ausgerüstet. Beim Beginn des Arbeitsvorganges wird automatisch auf den langsameren Arbeitshub umgeschaltet | | | |
| Sicherheit: | | Überdruckventil | | | |
| Wiederaufladbarer Akku | V / Ah / Wh | 18 / 4.0 / 72 | | | |
| Typ | | CB1840L (Li-Ionen) | | | |
| Gewicht | kg (lbs) | 0,66 (1.45) | | | |
| Akkuladegerät | Typ | EU | UK | AUS/NZ | USA/CAN |
| ASC30-36 | | 27044000 | 27045000 | 27047000 | 27046000 |
| Spannung | V / Hz | 220 - 240 / 50 - 60 | | | 115 / 60 |
| | W | 85 | | | |
| Lärmschutzbestimmung ⁽¹⁾ | | | | | |
| L _{pA} | dB (A) | 73 | | | |
| L _{pCPeak} | dB (C) | 94.5 | | | |
| L _{WA} | dB (A) | 79 | | | |
| Vibrationen ⁽²⁾ | m/s ² | 0.575 max | | | |

⁽¹⁾ Richtlinie 2006/42/EG, Anhang 1, Nummer 1.7.4.2, Buchstabe u

L_{pA} = Stufe konstanter Emissionsschalldruckpegel entsprechend Gewichtung A am Arbeitsplatz.

L_{pCPeak} = maximaler Emissionsschalldruckpegel entsprechend Gewichtung C am Arbeitsplatz.

L_{WA} = Emissionsschalldruckpegel durch das Gerät

⁽²⁾ Richtlinie 2006/42/EG, Anhang 1, Nummer 2.2.1.1

Der durchschnittliche Schwingungsgesamtwert dem die oberen Körpergliedmaßen ausgesetzt sind, wurde technisch vergleichbar nach EN ISO 5349-1/2 an einer repräsentativen Maschine ermittelt und übersteigt nicht den vorgeschriebenen Wert.



HINWEISE

- ▶ *Verwenden Sie das Akkuwerkzeug ausschließlich für den vom Hersteller vorgesehenen Anwendungszweck.
Arbeiten Sie konzentriert und lassen Sie sich während des Einsatzes nicht ablenken.
Nehmen Sie zur Arbeit eine sichere und standfeste Arbeitsposition ein!
Den Arbeitsbereich immer sauber halten und es sollten sich keine weitere Menschen im Arbeitsbereich aufhalten.*
- ▶ *Überprüfen Sie die Schneidmesser vor jedem Gebrauch. Verwenden Sie nie ein Werkzeug mit beschädigten Schneidmessern. Defekte Schneidmesser könnten das Werkzeug stark beschädigen.*
- ▶ *Vor jeder Benutzung die Unversehrtheit des Kopfes überprüfen. Verschlossene, beschädigte oder fehlende Teile durch Originalersatzteile von **Cembre** ersetzen.*
- ▶ *Tragen Sie immer eine Schutzbrille, da sich beim Schneiden Metallsplinter lösen können.*
- ▶ *Achten Sie beim Schneiden von Stangen und Stahlseilen darauf, dass sich keine Personen in der Nähe aufhalten. Es können sich kleine Teile lösen und dann zu Verletzungen führen.*
- ▶ *Es dürfen keine unter Spannung stehenden Teile geschnitten werden.*
- ▶ *Die Akkuwerkzeuge sind nicht für einen Dauereinsatz geeignet. Wenn ein voll geladener Akku durch hintereinander ausgeführte Schnitte getauscht werden muss, empfehlen wir vor dem Akkuwechsel das Werkzeug eine angemessene Zeit abkühlen zu lassen.*
- ▶ *Das Werkzeug vor Regen und Feuchtigkeit schützen. Wasser könnte das Werkzeug und den Akku beschädigen. Elektrohydraulische Werkzeuge sollten nicht im Regen oder unter fließendem Wasser eingesetzt werden.*



Zum Lieferumfang gehören folgende Teile:

- ▶ Hydraulisches Akku-Schneidwerkzeug.
- ▶ 2 wiederaufladbare Li-Ion Akkus.
- ▶ Ladegerät (entsprechend der Länderkonfiguration).
- ▶ Trageriemen.
- ▶ Koffer.
- ▶ USB-Kabel (siehe Punkt 5).

2. BEDIENUNGSHINWEISE

Das Werkzeug kann bequem am Griff oder mit dem Trageriemen, der am Ring (Bild 6 T.11) befestigt ist, transportiert werden.



Überprüfen Sie vor jedem Arbeitsvorgang den Ladezustand der Akkus (siehe Pkt. 2.7). Um die Akkus aufzuladen, folgen Sie den Anweisungen in der Bedienungsanleitung des Akkuladegerätes auf.

Drücken Sie für den Akkuaustausch auf die Entriegelung (10) (siehe Bild 1) und führen Sie den neuen Akku bis zum Einrasten ein.

2.1) Drehbewegung des Kopfes

- ▶ Das Werkzeug ist mit einem Kopf ausgerüstet, der um 180° drehbar ist und somit ein komfortables Arbeiten ermöglicht (siehe Bild 2 und 3).



Der Kopf darf keinesfalls in eine andere Position gedreht werden, während das Werkzeug unter Druck steht.

2.2) Vorbereitung

- ▶ Das zu schneidende Seil am gewünschten Schnittpunkt zwischen den Schneidmessern positionieren (siehe Bild 2).



Wenn kurze Abschnitte von Stahl- bzw. Aluminium-Stahl Seilen geschnitten werden, ist es ratsam das Ende mit Isolierband zu fixieren (siehe Bild 2). Damit werden mögliche Verletzungen des Anwenders verhindert.

- ▶ Bei durchgehendem Seil wird das Gegenmesser durch Öffnen der Blockierungsbolzen (2) zurückgeklappt.



Das Öffnen des Gegenmessers darf nur mit ganz zurückgefahrenem Schneidmesser (4) erfolgen (siehe Pkt. 2.6).

- ▶ Das Schneidmesser (4) um das zu schneidende Seil legen. Den Kopf schliessen und den Bolzen (2) einrasten lassen (siehe Bild 3).



Vor dem Schneiden hat man sich zu vergewissern, daß der Bolzen (2) einwandfrei eingerastet ist.

2.3) Schneidvorgang

- ▶ Durch Drücken des Startknopfes (5) (siehe Bild 2) wird der Pumpenmotor gestartet, wobei sich das Schneidmesser dem Seil annähert.
- ▶ Das Zusammenfahren der Schneidmesser kann durch Loslassen des Startknopfes (5) gestoppt werden.



Auf diese Weise kann kontrolliert werden, dass sich die Schneidmesser genau auf dem zu schneidenden Punkt befinden. Ist dies nicht der Fall, sind die Schneidmesser zu öffnen (siehe § 2.6) und erneut zu positionieren.

2.4) Schneiden

- ▶ Halten Sie das Werkzeug fest und durch Drücken des Startknopfes (5) beginnt der Motor zu arbeiten, der Kolben lässt das Schneidmesser allmählich nach vorn fahren, bis das Seil vollständig geschnitten worden ist.
- ▶ Wenn der Schnitt ausgeführt ist, den Startknopf (5) loslassen. Wenn der Startknopf weiter betätigt wird, arbeitet das Werkzeug weiter bis zur Abschaltung durch das Überdruckventil.

2.5) LED

- ▶ Während der Betätigung des Werkzeugs wird der Schneidbereich von zwei LED-Anzeigen mit hoher Helligkeit ausgeleuchtet, die sich am Zyklusende automatisch abschalten.

2.6) Zurückfahren des Schneidmessers

- ▶ Drücken Sie kräftig des Druckablassknopf (6), der sich unterhalb des Startknopfes (5) befindet. Dadurch fährt der Kolben zurück und das Schneidmesser gibt das Kabel / Seil frei.

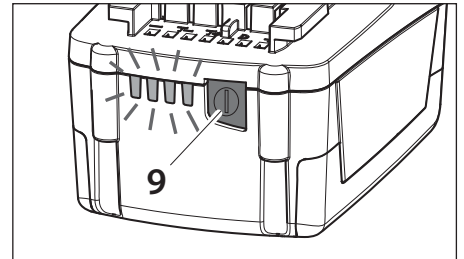
2.7) Akkuladung

- ▶ Der Akku ist mit LED-Anzeigen ausgestattet, der jederzeit über die verbleibende Akkulaufzeit Auskunft gibt, indem man auf die Taste (9) drückt:

4 LED eingeschaltet: Maximale Ladung

2 LED eingeschaltet: Ladung zu 50 %

1 LED blinkend: Minimale Ladung, Akku austauschen bzw. aufladen.



i Wenn der Akku nicht mehr ausreichende Ladung hat, wird beim Betätigen des Startknopfes (5) über die LED Leuchten (1) zusammen mit einem akustischen Signal (siehe Bild4) das Erreichendes Mindestsicherheitsniveausignalisiert. Unter diesen Bedingungen kann das Werkzeug nicht in Betrieb genommen werden. Laden Sie den Akku auf oder tauschen Sie ihn aus. Ein vollständiger Ladevorgang eines leeren Akkus dauert etwa 80 Minuten.

i Nach jedem Arbeitszyklus, wie auch nach der Entfernung des Akkus aus dem Werkzeug, schaltet sich dieses durch die eingebaute Elektronik nach ca. 70s automatisch ab. Als Bestätigung des Vorganges wird die LED bei der Taste (P) 5-mal hintereinander innerhalb von ca. 14s blinken. Der Akku wird wieder aktiviert durch das Einführen in das Werkzeug und durch die Betätigung des Startknopfes.

2.8) Verwendung des Ladegerätes

- ▶ Die in der Bedienungsanleitung gegebenen Hinweise sind zu beachten.

3. WARTUNG

Das Werkzeug ist robust und benötigt keine spezielle Pflege.

Zur Erhaltung der Garantieansprüche beachten Sie folgende Hinweise:

3.1) Pflege

- ▶ Dieses hydraulische Werkzeug sollte vor starker Verschmutzung geschützt werden, da dies für ein hydraulisches System gefährlich ist. Nach jeder täglichen Anwendung sollte das Werkzeug mit einem Tuch von Schmutz und Staub gereinigt werden, besonders die beweglichen Teile. Verwenden Sie keine Kohlenwasserstoffe (z.B. Teilereiniger, Bremsenreiniger) zum Reinigen der Gummiteile.
- ▶ Alle beweglichen Teile und Bolzen regelmäßig mit einem Tropfen Öl einölen.

3.2) Lagerung

Wird das Werkzeug nicht benötigt, sollte es in dem Kunststoffkoffer gelagert werden, um es so gegen Beschädigungen wie Stöße und Staub zu schützen.

Der Kunststoffkoffer Typ VAL P37 hat folgende Abmessungen: 500x480x128 mm (19.7x18.9x5.0 inches) und ein Gewicht von 3,1 kg (6.8 lbs.). Er ist geeignet zum Lagern vom Werkzeug und Zubehör.

4. SCHNEIDMESSER WECHSELN (siehe Bild 5)



Der Wechsel der Schneidmesser muss immer mit ausgebautem Akku erfolgen.

Nach längerem Gebrauch oder nach Anwendungsfehlern kann es zu Abnutzungen (beschädigt, unscharf) an den Messern kommen. Bei einem Wechsel sollten Sie wie folgt vorgehen:

► Schneidmesser

- Den Blockierungsbolzen (2) entfernen und den oberen Teil bis zum Anschlag öffnen.
- Den Motor betätigen und das Schneidmesser (4) nach vorne fahren und entfernen Sie den Akku.
- Die beiden Spannstifte (12) vom Kolben (13) entfernen und somit kann das Schneidmesser (4) entnommen werden.
- Anschließend mit der Spannstifte das neue Schneidmesser wieder montieren.



Bevor das Gegenmesser wieder geschlossen wird, drücken Sie kräftig den Druckablassknopf (6), so wird sichergestellt dass das Schneidmesser komplett zurückgefahren ist und es nicht zu einer Beschädigung der Schneidmesser kommt.

► Gegenmesser

- Bei vollständig zurückgefahrenem Schneidmesser (4) und geschlossenem Kopf auf dem Zwischenstück (15) im Schraubstock spannen und dabei auf die Schrauben (16) achten.
Mit einem 8 mm Inbusschlüssel die vier Schrauben (16) lösen und die zwei Platten (17) entfernen. Das Gegenmesser (3) ist jetzt zugänglich und kann entfernt werden.
- Das neue Schneidmesser einlegen (dabei darauf achten das die Schneidseite nach oben gedreht ist).
- Die Platten (17) und die 4 Schrauben (16) wieder montieren.

5. ANSCHLUSS AN EINEN COMPUTER

Der im Werkzeug integrierte Speicher ermöglicht die Parameter der durchgeführten Zyklen (200.000 Zyklen) zu speichern und mit dem mitgelieferten USB-Kabel auf einen Computer zu übertragen. Um die Daten vom Werkzeug zu übertragen und zu verwalten, müssen Sie unter www.cembre.com die Cembre Software **CEM_SWBT01** nach einer Registrierung downloaden. Hier finden Sie auch mögliche Firmware Updates für die Platine des Werkzeuges, um einebestmögliche Leistung und Effizienz des Werkzeuges zu ermöglichen.

Die folgenden Hinweise gelten für Mitglieder der Europäischen Union:

INFORMATION FÜR DEN BENUTZER gemäß der Richtlinien 2011/65/EU und 2012/19/EU.

Das durchkreuzte Zeichen des Müllimers, das auf dem Gerät oder seiner Verpackung angebracht ist, zeigt an, dass das Produkt am Ende seiner Lebenszeit von der allgemeinen Abfallentsorgung getrennt werden muss. Die getrennte Sammlung des vorliegenden, zu entsorgenden Gerätes, wird vom Hersteller organisiert und verwaltet. Der Eigentümer, der das Gerät zu entsorgen wünscht, muss sich daher mit dem Hersteller in Verbindung setzen und die von ihm ausgewählte Methode, für die getrennte Sammlung des zu entsorgenden Gerätes, befolgen.

Eine angemessene getrennte Sammlung zur Vorbereitung des Altgerätes für Recycling, Aufbereitung und für eine umweltfreundliche Entsorgung, trägt dazu bei, mögliche negative Auswirkungen auf die Umwelt und auf den Gesundheitszustand zu vermeiden, und begünstigt die Wiederverwertung und das Recycling der Materialien des Gerätes. Bei widerrechtlicher Entsorgung des Produktes durch den Benutzer, werden die vom Gesetz vorgesehene Verwaltungssanktionen angewandt.

1. CARACTERÍSTICAS GENERALES

| | | B-TC450 | B-TC450E | B-TC450T | B-TC450A |
|-----------------------------------|------------------|---|----------|----------|----------|
| Campo de aplicación: | | idónea para cortar cables y varillas de cobre, aldreya, aluminio, aluminio-acero y varillas de acero (Ref. a pag. 30) | | | |
| Diámetro max. de corte | mm (inches) | 45 (1-25/32") | | | |
| Presión de trabajo | bar (psi) | 700 (10,000) | | | |
| Dimensiones | mm (inches) | 407 x 401 x 88 (16 x 15.8 x 3.5) | | | |
| Peso con batería | kg (lbs) | 6,7 (14.7) | | | |
| Motor | V DC | 18 | | | |
| Temp. de funcionamiento | °C (°F) | -15 a +50 (+5 a +122) | | | |
| Aceite recomendado | | AGIP ARNICA 32 ó equivalentes | | | |
| Velocidad de avance | | son dos: una rápida y otra más lenta de trabajo. El paso de una a otra velocidad es automático | | | |
| Seguridad | | válvula de sobrepresión | | | |
| Batería recargable | V / Ah / Wh | 18 / 4.0 / 72 | | | |
| Tipo | | CB1840L (Li-Ion) | | | |
| Peso | kg (lbs) | 0,66 (1.45) | | | |
| Cargador de batería | tipo | EU | UK | AUS/NZ | USA/CAN |
| ASC30-36 | | 27044000 | 27045000 | 27047000 | 27046000 |
| Alimentación | V / Hz | 220 - 240 / 50 - 60 | | | 115 / 60 |
| | W | 85 | | | |
| Ruido aéreo ⁽¹⁾ | | | | | |
| L_{pA} | dB (A) | 73 | | | |
| L_{pCPeak} | dB (C) | 94.5 | | | |
| L_{WA} | dB (A) | 79 | | | |
| Vibraciones ⁽²⁾ | m/s ² | 0.575 max | | | |

⁽¹⁾ Directiva Europea 2006/42/CE, anexo 1, punto 1.7.4.2, letra u

L_{pA} = nivel de presión acústica continua equivalente ponderado A en el puesto de trabajo.

L_{pCPeak} = valor máximo de la presión acústica instantánea ponderada C en el puesto de trabajo.

L_{WA} = nivel de potencia acústica emitida por la máquina.

⁽²⁾ Directiva Europea 2006/42/CE, anexo 1, punto 2.2.1.1

Valor cuadrático medio ponderado en frecuencia, de la aceleración a la que están expuestos los miembros superiores para cada eje biodinámico de referencia. Medidas realizadas según las indicaciones de la Norma EN ISO 5349-1/2 parte 1a, en condiciones de utilización ampliamente representativas respecto a las que se encuentran normalmente.



ADVERTENCIAS

- ▶ **No utilice la herramienta para fines diferentes de los previstos por el fabricante. Prestar atención en el trabajo, no distraerse y no perder el equilibrio durante la utilización. Operar en área de trabajo limpia y despejada. Mantener alejadas las personas del área de trabajo.**
- ▶ **Inspeccionar las cuchillas antes de utilizar la herramienta. No utilizar la herramienta con las cuchillas dañadas. Las cuchillas dañadas pueden causar la rotura de la herramienta.**
- ▶ **Sustituir las partes desgastadas, dañadas o ausentes con piezas de recambio originales Cembre.**
- ▶ **Operar siempre con las gafas de trabajo; durante las operaciones de corte pueden originarse esquirlas metálicas.**
- ▶ **Prestar atención al cortar trozos cortos de varillas o cables de acero que pudieran ser proyectados peligrosamente a distancia causando daños al operario y a las personas cercanas.**
- ▶ **No cortar conductores o cables con tensión eléctrica.**
- ▶ **La herramienta no está preparada para un empleo continuo; una vez ejecutado el número de operaciones máximo permitido por una batería, a la hora de cambiarla, aconsejamos un oportuno período de pausa para permitir el enfriamiento de la herramienta.**
- ▶ **Proteger la herramienta de la lluvia y la humedad. El agua podría dañar la herramienta y la batería. Las herramientas electrohidráulicas no deberían funcionar bajo la lluvia o debajo del agua.**




La referencia identifica el conjunto formado por:

- ▶ Herramienta hidráulica de corte.
- ▶ Batería recargable Li-Ion (2 uds).
- ▶ Cargador de batería (diferente según el modelo de la herramienta).
- ▶ Correa de transporte.
- ▶ Caja de contención.
- ▶ Cable USB (Ref. al § 5).

2. INSTRUCCIONES DE USO

La herramienta puede ser transportada fácilmente por medio del asa o la correa de transporte fijada al anillo (11) (Ref. a Fig. 6).

 **Antes de iniciar cualquier trabajo, compruebe el estado de carga de las baterías (Ref. al § 2.7). Si es necesario, recárguelas siguiendo las instrucciones del manual de uso del cargador.**

Para sustituir la batería, retírela pulsando el desbloqueo (10) (Ref. a Fig. 1) y luego inserte la nueva batería deslizándola por las guías hasta su tope.


2.1) Rotación de la cabeza

► La cabeza de la herramienta puede rotar hasta 180° respecto al cuerpo, permitiendo al operario realizar el trabajo en la posición más adecuada (Ref. a Fig. 2 y 3).

 **No fuerce la cabeza, intentando rotarla, mientras el circuito hidráulico esté presurizado.**

2.2) Preparación

► Colocar el conductor entre las cuchillas de manera que éstas se encuentren en el punto de corte deseado (Ref. a Fig. 2).

 **Al cortar piezas cortas de los cables de acero o de aluminio-acero, se recomienda atar o envolver el extremo y el punto de corte con cinta aislante o similar (Ref. a Fig. 2); esto evitará la proyección de fragmentos de acero que podrían causar daños o lesiones personales.**

► Si el conductor es pasante, será necesario abrir la cabeza, desenganchando el pasador de sujeción (2) y hacer girar el conjunto superior.

 **Se puede abrir la cabeza cuando la cuchilla inferior (4) esté completamente retraída.**


► Colocar la cuchilla inferior (4) sobre el conductor a cortar, volver a cerrar el grupo superior bloqueándolo con el pasador de sujeción (2).

 **Antes de proceder con la operación de corte, comprobar que el pasador de sujeción (2) esté enganchado perfectamente.**

2.3) Acercamiento de las cuchillas

► Pulsar el botón de accionamiento (5) (Ref. a Fig. 2) para poner en marcha el grupo motor-bomba; la cuchilla inferior empieza a acercarse al conductor.

► Soltando el botón se detienen inmediatamente tanto el motor como el movimiento de la cuchilla.

 **Asegúrese de que la cuchilla se encuentra en correspondencia con la zona a cortar; en caso contrario, vuélvala a abrir siguiendo las instrucciones del punto 2.6 y reposicione.**

2.4) Corte

► Sostenga firmemente la herramienta y pulse el botón de accionamiento (5), el motor continúa girando; el pistón hará avanzar progresivamente la cuchilla inferior hasta cortar completamente el conductor.

► Cuando el corte está realizado, soltar el botón (5), de lo contrario el motor se detendrá automáticamente después de la intervención de la válvula de sobrepresión.

2.5) Led

- ▶ Durante el accionamiento de la herramienta, la zona de trabajo está iluminada por dos led de alta luminosidad que se apagan automáticamente al final del ciclo.

2.6) Reapertura de las cuchillas

- ▶ Para volver a obtener el retorno del pistón, pulsar el botón de desbloqueo (6), se obtendrá el consiguiente retorno de la cuchilla.

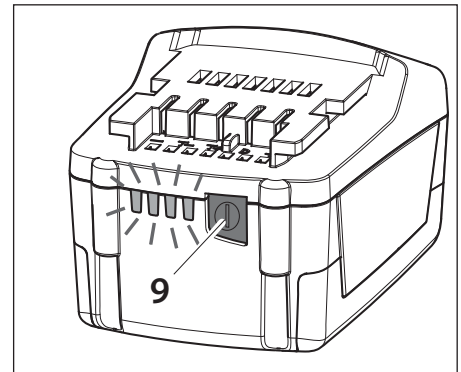
2.7) Autonomía de la batería

- ▶ La batería está provista de indicadores de led que permiten saber la autonomía restante en cualquier momento pulsando el botón (9):

4 led encendidos: autonomía máxima

2 led encendidos: autonomía al 50 %

1 led parpadeante: autonomía mínima, reemplazar la batería



i La iluminación de los 2 Led (1) asociada a una señal acústica cuando se presiona el botón de accionamiento (5) indica que la batería está descargada (Ref. a Fig. 4) y que su tensión está por debajo de un punto mínimo de seguridad; en estas condiciones la herramienta no se inicia, proceda a la recarga o a la sustitución de la batería.

El tiempo aproximado para recargar completamente una batería descargada es de 80 min.

i Después de cada ciclo de trabajo, así como después de la extracción de la batería de la herramienta, un dispositivo electrónico permite el apagado automático de la batería después de 70s, aprox. y el LED más cercano al botón (9) parpadeará 5 veces consecutivas a intervalos de 14 s, aprox. La batería se reactivará con su re inserción en la herramienta y pulsando el botón de accionamiento.

2.8) Utilización del cargador de batería

- ▶ Seguir atentamente las instrucciones detalladas en el manual correspondiente.

3. MANTENIMIENTO

Esta herramienta es robusta, completamente precintada y no requiere cuidados especiales. Para obtener un funcionamiento correcto, bastará tener algunas precauciones sencillas:

3.1) Limpieza adecuada

- ▶ Tenga presente que el polvo, la arena y la suciedad en general, representan un peligro para toda herramienta hidráulica. Tras cada día de uso, se debe limpiar la herramienta con un trapo limpio, teniendo cuidado de eliminar la suciedad depositada, especialmente junto a las partes móviles. No use hidrocarburos para la limpieza de las partes de caucho.
- ▶ Lubrificar regularmente, con unas gotas de aceite, las partes móviles y los pernos de la cabeza.

3.2) Almacenamiento

- ▶ Para proteger la herramienta de golpes accidentales y del polvo cuando no se va a utilizar, es conveniente guardarla cerrada en su caja de plástico de cierre hermético. Dicho estuche tipo VAL P37 de dimensiones 500x480x128 mm (19.7x18.9x5.0 pulgadas) y peso 3,1 kg (6.8 lbs), es apropiado para almacenar la herramienta y los accesorios.

4. CAMBIO DE LAS CUCHILLAS (Ref. a Fig. 5)



El cambio de las cuchillas debe ser efectuado con la herramienta sin batería.

Puede suceder que las cuchillas se estropeen tras un uso prolongado o inadecuado. Para efectuar el cambio de las cuchillas, actúe como sigue:

► Cuchilla inferior

- Abrir la cabeza desenganchando el pasador de sujeción (2) y hacer girar completamente el conjunto superior hasta el tope.
- Accionar el motor haciendo avanzar la cuchilla inferior (4) y quitar la batería.
- Expulsar los dos pasadores elásticos (12) en el pistón (13) y soltar así la cuchilla (4).
- Sacar la cuchilla vieja, colocar la nueva en el pistón y sujetarla con los dos pasadores elásticos.



Antes de volver a cerrar el conjunto superior, actuar sobre el botón de desbloqueo (6) haciendo retroceder completamente la cuchilla; en caso contrario, el conjunto superior podría chocar contra la arista de la cuchilla inferior y estropearla.

► Cuchilla superior

- Con la cuchilla inferior (4) completamente retraída, el conjunto superior cerrado y el pasador de sujeción (2) metido a fondo, bloquear la cabeza en un tornillo de banco apretando el elemento distanciador (15) teniendo cuidado de que las cabezas de los tornillos (16) estén giradas hacia arriba.
- Con la llave Allen de 8 mm desenroscar los 4 tornillos (16), quitar las 2 pletinas (17) liberando así la cuchilla superior (3).
- Colocar la cuchilla nueva teniendo cuidado de que la salida de la arista de corte esté girada hacia arriba (es decir, del mismo lado que las cabezas de los 4 tornillos).
- Colocar las 2 pletinas (17) y apretar a fondo los 4 tornillos (16).

5. CONEXIÓN AL ORDENADOR

La tarjeta de memoria de la herramienta permite grabar los parámetros de los ciclos realizados (hasta 200.000 eventos) y mediante el cable USB suministrado, pasarlos a un ordenador. Para visualizar y gestionar los datos en la tarjeta es necesario utilizar el software **Cembre CEM_SWBT01**, que se encuentra de forma gratuita en la área reservada de la página web www.cembre.com. después la inscripción. En la misma área se pueden encontrar también las actualizaciones del firmware de la tarjeta electrónica, para garantizar el mejor rendimiento de la herramienta obteniendo la máxima eficiencia.

Las siguientes informaciones conciernen a los estados miembros de la Unión Europea:

INFORME PARA LOS USUARIOS en los términos de las Directivas 2011/65/EU y 2012/19/EU.

El símbolo del contenedor de basura cruzado por un aspa que aparece en el equipo o sobre su embalaje indica que, al final de su ciclo de vida útil, el producto debe ser eliminado independientemente de otros desechos. La recogida selectiva del presente equipo, llegado al final de su ciclo de vida, es organizada y manejada por el fabricante. El usuario que desee deshacerse del presente equipo deberá, por lo tanto, contactar con el fabricante y seguir el sistema adoptado por el mismo para permitir la recogida por separado del equipo que ha concluido su ciclo de vida. La adecuada recogida selectiva, para el sucesivo envío del equipo dado de baja al reciclaje, al tratamiento y al saneamiento ambiental compatible, contribuye a evitar posibles efectos negativos sobre el medio ambiente y sobre la salud favoreciendo el reemplazo y el reciclaje de los materiales que componen el equipo. La eliminación abusiva del equipo por parte del propietario implica la aplicación de las sanciones administrativas prevista por la legislación vigente.

1. CARATTERISTICHE GENERALI

| | | B-TC450 | B-TC450E | B-TC450T | B-TC450A |
|------------------------------------|-------------|--|----------------|--------------------|---------------------|
| Campo di applicazione | | adatto al taglio di conduttori e funi in rame, alluminio, aldreyl, alluminio-acciaio, acciaio e tondi in acciaio (rif. a pag. 30). | | | |
| Diametro max. di taglio | mm (inches) | 45 (1-25/32") | | | |
| Pressione di esercizio | bar (psi) | 700 (10,000) | | | |
| Dimensioni | mm (inches) | 407 x 401 x 88 (16 x 15.8 x 3.5) | | | |
| Peso con batteria | kg (lbs) | 6,7 (14.7) | | | |
| Motore | V DC | 18 | | | |
| Temperatura di utilizzo | °C (°F) | -15 a +50 (+5 a +122) | | | |
| Olio consigliato | | AGIP ARNICA 32 o equivalenti | | | |
| Velocità di avanzamento | | sono due, una rapida ed una più lenta di lavoro La commutazione da una all'altra é automatica | | | |
| Sicurezza | | valvola di massima pressione | | | |
| Batteria ricaricabile | V / Ah / Wh | 18 / 4.0 / 72 | | | |
| Tipo | | CB1840L (Li-Ion) | | | |
| Peso | kg (lbs) | 0,66 (1.45) | | | |
| Caricabatteria ASC30-36 | tipo | EU 27044000 | UK 27045000 | AUS/NZ 27047000 | USA/CAN 27046000 |
| Alimentazione | V / Hz | 220 - 240 / 50 - 60 | | | 115 / 60 |
| | W | 85 | | | |
| Rumore aereo ⁽¹⁾ | | | | | |
| L_{pA} | dB (A) | 73 | | | |
| L_{pCPeak} | dB (C) | 94.5 | | | |
| L_{WA} | dB (A) | 79 | | | |
| Vibrazioni ⁽²⁾ | m/s^2 | 0.575 max | | | |

⁽¹⁾ Direttiva Europea 2006/42/CE, allegato 1, punto 1.7.4.2, lettera u

L_{pA} = livello di pressione acustica continuo equivalente ponderato A nel posto di lavoro.

L_{pCPeak} = valore massimo della pressione acustica istantanea ponderata C nel posto di lavoro.

L_{WA} = livello di potenza acustica emessa dalla macchina.

⁽²⁾ Direttiva Europea 2006/42/CE, allegato 1, punto 2.2.1.1

Valore quadratico medio ponderato, in frequenza, dell'accelerazione cui sono esposte le membra superiori, per ciascuno degli assi biodinamici di riferimento derivante da rilievi condotti secondo le indicazioni delle Norme EN ISO 5349-1/2, in condizioni di utilizzo ampiamente rappresentative rispetto a quelle normalmente riscontrabili.



AVVERTENZE

- ▶ *Non impiegare l'utensile per scopi diversi da quelli previsti dal costruttore. Prestare attenzione al lavoro, non distrarsi e non sbilanciarsi durante l'utilizzo. Lavorare in area pulita e sgombra. Tenere lontane le persone dall'area di lavoro.*
- ▶ *Prima di ogni utilizzo ispezionare le lame. Non usare l'utensile con le lame danneggiate. Lame danneggiate possono causare la rottura dell'utensile.*
- ▶ *Sostituire le parti usurate, eventualmente danneggiate o mancanti con parti di ricambio originali Cembre.*
- ▶ *Indossare sempre una visiera protettiva, durante le operazioni di taglio possono prodursi schegge metalliche.*
- ▶ *Porre particolare attenzione al taglio di spezzoni corti di tondi o funi di acciaio che potrebbero essere proiettati a distanza e colpire l'operatore con una forza sufficiente a causare lesioni gravi.*
- ▶ *Non tagliare conduttori o corde sotto tensione elettrica.*
- ▶ *L'utensile non è adatto ad un utilizzo continuo; dopo aver eseguito il numero di operazioni consecutive consentite da una batteria completamente carica, in occasione del cambio batteria consigliamo un opportuno periodo di pausa per permettere il raffreddamento dell'utensile.*
- ▶ *Proteggere l'utensile dalla pioggia e dall'umidità, l'acqua potrebbe danneggiare l'utensile e la batteria. Gli utensili elettro-oleodinamici non dovrebbero essere usati sotto la pioggia.*



La fornitura comprende:

- ▶ Utensile oleodinamico da taglio.
- ▶ Batteria ricaricabile Li-Ion (2 pz).
- ▶ Caricabatterie (differente in base alla versione dell'utensile).
- ▶ Tracolla.
- ▶ Valigetta di contenimento.
- ▶ Cavo USB (Rif. al § 5).

2. ISTRUZIONI PER L'USO

L'utensile può essere trasportato agevolmente tramite l'impugnatura o la tracolla fissata all'anello (11) (Rif. a Fig. 6).

 **Prima di iniziare qualsiasi lavoro, verificare lo stato di carica delle batterie (Rif. al § 2.7) se necessario ricaricarle seguendo le istruzioni riportate nel manuale d'uso del caricabatterie.**

Per sostituire la batteria sfilarla premendo lo sblocco (10) (Rif. a Fig. 1), quindi inserire la nuova facendola scorrere nelle guide, fino al suo blocco.


2.1) Rotazione della testa

► La testa dell'utensile può ruotare di 180° rispetto al corpo, permettendo così all'operatore di eseguire il lavoro nella posizione più agevole (Rif. a Fig. 2 e 3).

 **Non ruotare la testa forzandola quando l'utensile è in pressione.**

2.2) Preparazione

► Posizionare il conduttore tra le lame in modo che queste si trovino in corrispondenza col punto di taglio desiderato (Rif. a Fig. 2).

 **Tagliando spezzoni corti di funi o d'acciaio o alluminio-acciaio, è consigliabile legare oppure avvolgere l'estremità e il punto di taglio con del nastro isolante (Rif. a Fig. 2); ciò limiterà la proiezione di schegge d'acciaio che potrebbero causare danni o lesioni all'operatore.**

► Nel caso di conduttore passante, sganciare il perno di bloccaggio (2) e aprire la testa ruotandola.

 **L'apertura della testa può essere effettuata solamente con lama inferiore (4) completamente retratta (Rif. al § 2.6).**


► Appoggiare la lama inferiore (4) sul conduttore da tagliare, richiudere la testa bloccandola col perno (2) (Rif. a Fig. 3).

 **Prima di procedere con l'operazione di taglio assicurarsi che il perno di bloccaggio (2) si perfettamente agganciato, una chiusura parziale potrebbe danneggiare la testa.**

2.3) Accostamento delle lame

► Premere il pulsante di azionamento (5) (Rif. a Fig. 2) per avviare il gruppo motore-pompa, inizierà così l'avvicinamento della lama inferiore al conduttore.

► Per ottenere l'immediato arresto sia del motore che del movimento della lama, rilasciare il pulsante di azionamento.

 **Assicurarsi che la lama si trovi esattamente in corrispondenza con il punto di taglio; in caso contrario riapirla seguendo le istruzioni al § 2.6 e riposizionarla.**

2.4) Taglio

► Mantenere l'utensile ben saldo e premere il pulsante di azionamento (5) per avviare il motore, la lama inferiore avanzerà progressivamente fino al completo taglio del conduttore.

► A tranciatura avvenuta, rilasciare il pulsante di azionamento (5). Mantenendo premuto il pulsante di azionamento anche dopo il taglio, si giungerà rapidamente all'intervento della valvola di max. pressione e all'arresto automatico del motore.

2.5) Led

- ▶ Durante l'azionamento dell'utensile, la zona di lavoro è illuminata da due led ad alta luminosità che si spengono automaticamente a fine ciclo.

2.6) Riapertura delle lame

- ▶ Premere a fondo il pulsante di rilascio (6) per ottenere il ritorno del pistone e il conseguente arretramento della lama inferiore.

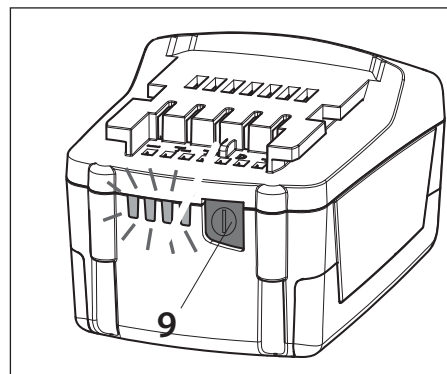
2.7) Autonomia della batteria

- ▶ La batteria è provvista di indicatori a led che consentono di conoscerne l'autonomia residua in qualsiasi momento, premendo il pulsante (9):

4 led accesi: massima autonomia

2 led accesi: autonomia al 50 %

1 led lampeggiante: minima autonomia, sostituire la batteria.



i *Alla pressione del pulsante di azionamento (5), l'accensione dei led (1) unitamente ad un segnale acustico, indicano che la batteria è scarica (Rif. a Fig. 4), la sua tensione è scesa sotto una soglia minima di sicurezza; in queste condizioni l'utensile non si avvia, procedere alla ricarica della batteria o sostituirla con una carica.*

Indicativamente il tempo per ricaricare completamente una batteria scarica è di circa 80 min.

i *Dopo ogni ciclo di lavoro, così come dopo l'estrazione della batteria dal suo alloggiamento nell'utensile, un dispositivo elettronico provvede all'autospegnimento della batteria dopo 70 s (circa). A conferma di tale attività il LED più vicino al pulsante (9) lampeggerà 5 volte e a distanza di 14 s (circa). La batteria si riattiverà con il suo reinserimento nell'utensile e alla pressione del pulsante di azionamento.*

2.8) Utilizzo del caricabatterie

- ▶ Seguire attentamente le istruzioni dettagliate sul relativo manuale d'uso.

3. MANUTENZIONE

L'utensile è robusto, completamente sigillato e non richiede attenzioni particolari per ottenere un corretto funzionamento basterà osservare alcune semplici precauzioni:

3.1) Accurata pulizia

- ▶ Tenere presente che la polvere, la sabbia e lo sporco rappresentano un pericolo per ogni apparecchiatura oleodinamica. Dopo ogni giorno d'uso si deve ripulire l'utensile con uno straccio pulito, avendo cura di eliminare lo sporco depositatosi su di esso, specialmente vicino alle parti mobili. Non usare idrocarburi per la pulizia delle parti in gomma.
- ▶ Lubrificare regolarmente, con poche gocce d'olio, le parti mobili ed i perni della testa.

3.2) Custodia

Per proteggere l'utensile da urti accidentali e dalla polvere, quando non viene utilizzato, è bene custodirlo nell'apposita valigetta in materiale plastico accuratamente chiusa. La valigetta (tipo VAL P37) è adatta al contenimento dell'utensile e degli accessori; ha dimensioni 500x480x128 mm (19.7x18.9x5.0 inches) e pesa 3,1 kg (6.8 lbs.).

4. CAMBIO DELLE LAME (Rif. a Fig. 5)



Il cambio delle lame deve essere effettuato con utensile privo di batteria.

Può accadere che, per uso prolungato o improprio, le lame perdano il filo oppure si danneggino. La sostituzione delle lame vecchie con le nuove é semplice:

► Lama inferiore

- Togliere il perno di bloccaggio (2) e far ruotare il complesso superiore, completamente fino alla battuta.
- Azionare l'utensile facendo avanzare la lama inferiore (4) quindi togliere la batteria.
- Espellere le due spine elastiche (12) dal pistone (13), liberando così la lama (4).
- Togliere la lama danneggiata, inserirvi la nuova bloccandola con le due spine elastiche.



Prima di richiudere la testa, premere il pulsante di rilascio (6) facendo arretrare completamente la lama inferiore; in caso contrario il complesso superiore potrebbe urtare contro lo spigolo della lama inferiore e danneggiarla.

► Lama superiore

- A lama inferiore (4) completamente retratta, con testa chiusa e perno di bloccaggio (2) inserito a fondo, bloccare la testa in una morsa serrando il distanziale (15) facendo attenzione che le teste delle viti (16) siano rivolte verso l'alto.
- Con chiave a brugola da 8 mm svitare le 4 viti (16), togliere le 2 piastrine (17) liberando così la lama superiore (3).
- Posizionare la nuova lama, facendo attenzione che lo scarico del tagliente sia rivolto verso l'alto.
- Rimontare le piastrine (17) e serrare a fondo le 4 viti (16).

5. COLLEGAMENTO AL COMPUTER

La scheda di memoria integrata nell'utensile permette di registrare i parametri relativi ai cicli effettuati (200.000 eventi) e di poterli trasferire successivamente ad un computer con il cavo USB fornito in dotazione. Per visionare e gestire i dati della scheda, è necessario il software **Cembre CEM_SWBT01** disponibile gratuitamente nell'area dedicata del sito www.cembre.com previa registrazione. In detta area si possono trovare anche eventuali aggiornamenti firmware della scheda elettronica per ottenere dal proprio utensile la massima efficienza, garantendone le migliori prestazioni.

Le seguenti informazioni riguardano gli stati membri dell'Unione Europea:

INFORMAZIONE AGLI UTENTI ai sensi delle Direttive Europee 2011/65/EU e 2012/19/EU.

Il simbolo del cassonetto barrato riportato sull'apparecchiatura o sulla sua confezione indica che il prodotto, alla fine della sua vita utile, deve essere raccolto separatamente dagli altri rifiuti.

La raccolta differenziata della presente apparecchiatura giunta a fine vita è organizzata e gestita dal produttore. L'utente che vorrà disfarsi della presente apparecchiatura dovrà quindi contattare il produttore e seguire il sistema che questo ha adottato per consentire la raccolta separata dell'apparecchiatura giunta a fine vita. L'adeguata raccolta differenziata per l'avvio successivo dell'apparecchiatura dismessa al riciclaggio, al trattamento ed allo smaltimento ambientalmente compatibile contribuisce ad evitare possibili effetti negativi sull'ambiente e sulla salute e favorisce il reimpiego e/o il riciclo dei materiali di cui è composta l'apparecchiatura. Lo smaltimento abusivo del prodotto da parte del detentore comporta l'applicazione delle sanzioni amministrative previste.

6. CUTTING RANGE - CAPACITE DE COUPE - EINSATZBEREICH - CAPACIDAD DE CORTE - CAPACITÀ DI TAGLIO

| | MATERIAL MATIERE WERKSTOFF MATERIAL MATERIALE | TENSILE STRENGTH CHARGE DE RUPTURE A LA TRACTION ZUGFESTIGKEIT CARGA DE ROTURA CARICO DI ROTTURA A TRAZIONE (daN/m.m ²) (lbs/sq.in.) | | MAX CUTTING DIAMETER DIAMETRE EXTERIEUR MAX. SECTIONNABLE MAX SCHNEIDDURCHMESSER DIAMETRO MAX DE CORTE DIAMETRO ESTERNO MAX TAGLIABILE (mm) (inches) | |
|---|--|---|-----------|--|--|
| | | ≤ | ≤ | | |
| ROPE & CONDUCTORS CABLE SEILE & LEITER CABLES Y CONDUCTORES FUNES | Copper Cuivre Kupfer Cobre Rame | ≤ 41 | ≤ 59,450 | 45 | 1-25/32" |
| | Aluminium Aluminum Aluminium Aluminio Alluminio | ≤ 20 | ≤ 29,000 | 45 | 1-25/32" |
| | Almelec Almelec Alu-Legierung Almelec Aldrey | ≤ 34 | ≤ 49,300 | 45 | 1-25/32" |
| | Steel Acier Stahl Acero Acciaio | ≤ 180 | ≤ 261,000 | (*) | (*) |
| | Multi-strand Steel (strands qty. ≥ 200) Acier extra-souple (≥ 200 brins) Mehrdrähtiger Stahl (Draht ≥ 200) Acero flex (≥ 200 Hilos) Acciaio extraflex (N° fili elem ≥ 200) | ≤ 180 | ≤ 261,000 | 7 x 3,0 : ø = 9,0 mm 19 x 2,1 : ø = 10,5 mm 19 x 2,3 : ø = 11,5 mm | 7 x 0.118 = ø out.0.354 19 x 0.083 = ø out. 0.413 19 x 0.091 = ø out. 0.453 |
| | ACSR Aluminium-Acier Aluminium-Stahl Aluminio-Acero Alluminio-Acciaio | ≤ 180 | ≤ 261,000 | 26 x 2,50 + 7 x 1,95 : ø = 15,85 26 x 3,06 + 7 x 2,38 : ø = 19,38 26 x 3,60 + 7 x 2,80 : ø = 22,80 54 x 3,50 + 19 x 2,10 : ø = 31,50 54 x 4,36 + 19 x 2,62 : ø = 39,20 | 26 x 0.098 + 7 x 0.077 : ø out 0.624 26 x 0.120 + 7 x 0.094 : ø out 0.763 26 x 0.142 + 7 x 0.110 : ø out 0.897 54 x 0.138 + 19 x 0.082 : ø out 1.240 54 x 0.172 + 19 x 0.103 : ø out 1.543 |
| RODS ROND MASSIF STANGEN VARILLAS TONDO | Steel Acier Stahl Acero Acciaio | ≤ 60 | ≤ 87,000 | 18 | 0.709 |
| | | ≤ 42 | ≤ 60,900 | 20 | 0.787 |
| | Copper Cuivre Kupfer Cobre Rame | ≤ 30 | ≤ 43,000 | 30 | 1.181 |
| | | ≤ 25 | ≤ 36,250 | 32 | 1.260 |
| | Aluminium Aluminum Aluminium Aluminio Alluminio | ≤ 16 | ≤ 23,200 | 45 | 1.772 |

(*) TYPICAL EXAMPLES

ALGUNOS EJEMPLOS INDICATIVOS

A TITRE D'EXEMPLES

ESEMPI INDICATIVI

EINIGE BEDEUTENDE ANWENDUNGEN

6. RETURN TO Cembre FOR OVERHAUL

In the case of a breakdown, contact your local Agent who will advise you on the problem and give you the necessary instructions on how to dispatch the tool to our nearest service Centre; if possible, attach a copy of the **Cembre** Test Certificate supplied with the tool or, if no other references are available, indicate the approximate purchase date and the tool serial number.

6. ENVOI EN REVISION A Cembre

En cas de dysfonctionnement de l'appareil, merci de vous adresser à notre Agent Régional qui vous conseillera et le cas échéant vous donnera les instructions nécessaires pour envoyer l'outil à notre Centre de Service le plus proche. Dans ce cas, joindre une copie du Certificat d'Essai livré par **Cembre** avec l'outil ou, à défaut d'autres éléments de référence, indiquer la date d'achat approximative et numéro de série.

6. EINSCHICKEN AN Cembre ZUR ÜBERPRÜFUNG

Sollten an dem Gerät Fehler auftreten, wenden Sie sich bitte an unsere Gebietsvertretung, die Sie gerne beraten und Ihnen alle nötigen Informationen zum Einsenden des Gerätes an unseren Hauptsitz geben wird. Wenn vorhanden, legen Sie dem Gerät bitte eine Kopie des von **Cembre** mitgelieferten Zertifikates bei. Bei fehlenden Informationen geben Sie bitte an, wann Sie das Gerät erworben haben.

6. DEVOLUCION A Cembre PARA REVISIONES

En caso de fallo de la herramienta, contactar con nuestro Agente de Zona quien les aconsejará y eventualmente les facilitará las instrucciones necesarias para remitir la herramienta a nuestro centro de servicio más cercano. En tal caso, adjuntar a ser posible una copia del Certificado de Ensayo entregado en su día por **Cembre** con la herramienta o a falta de otro elemento de referencia indicar la fecha de compra aproximada y el número de serie.

6. RESA ALLA Cembre PER REVISIONE

In caso di guasto contattare il nostro Agente di Zona il quale vi consiglierà in merito e fornirà le istruzioni necessarie per l'invio dell'utensile alla nostra Sede; se possibile, allegare copia del Certificato di Collaudo a suo tempo fornito dalla **Cembre** con l'utensile oppure, in mancanza di altri riferimenti, indicare la data approssimativa di acquisto.

This manual is the property of **Cembre**: any reproduction is forbidden without written permission.
Ce manuel est la propriété de **Cembre**: toute reproduction est interdite sauf autorisation écrite.
Der Firma **Cembre** bleibt das Eigentumsrecht der Bedienungsanleitung vorbehalten.
Ohne vorherige schriftliche Genehmigung darf die Bedienungsanleitung weder vollständig noch teilweise vervielfältigt werden.
Este manual es propiedad de **Cembre**. Toda reproducción está prohibida sin autorización escrita.
Questo manuale è di proprietà della **Cembre**: ogni riproduzione è vietata se non autorizzata per scritto.



cod. 6261369

Cembre S.p.A.
Via Serenissima, 9
25135 Brescia (Italia)
Telefono: 030 36921
Telefax: 030 3365766
E-mail: sales@cembre.com
www.cembre.com

Cembre Ltd.
Dunton Park
Kingsbury Road, Curdworth - Sutton Coldfield
West Midlands B76 9EB (UK)
Tel.: 01675 470440 - Fax: 01675 470220
E-mail: sales@cembre.co.uk
www.cembre.co.uk

Cembre S.a.r.l.
22 Avenue Ferdinand de Lesseps
91420 Morangis (France)
Tél.: 01 60 49 11 90 - Fax: 01 60 49 29 10
CS 92014 - 91423 Morangis Cédex
E-mail: info@cembre.fr
www.cembre.fr

Cembre España S.L.U.
Calle Verano 6 y 8
28850 Torrejón de Ardoz - Madrid (España)
Teléfono: 91 4852580
Telefax: 91 4852581
E-mail: comercial@cembre.es
www.cembre.es

Cembre GmbH
Heidemannstraße 166
80939 München (Deutschland)
Telefon: 089 3580676
Telefax: 089 3580677
E-mail: sales@cembre.de
www.cembre.de

Cembre Inc.
Raritan Center Business Park
181 Fieldcrest Avenue
Edison, New Jersey 08837 (USA)
Tel.: (732) 225-7415 - Fax: (732) 225-7414
E-mail: sales.US@cembreinc.com
www.cembreinc.com