

CONT-MULTI SERIES

TERMINAL BLOCKS FOR DERIVATION BOXES

Applications

CONT series terminal blocks are mainly used inside of derivation boxes and, from a physical point of view, can be seen as simple Kirchhoff's nodes.

General features

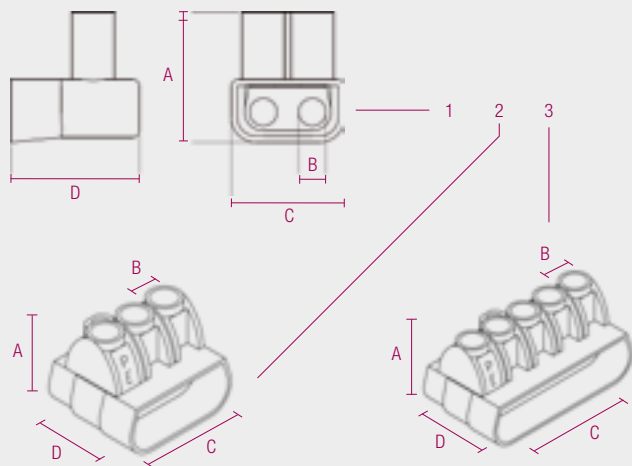
- Heat resistance: 130 °C
- High dielectric rigidity
- Screw tightening

Materials used

- Brass CW 614 N
- Zinc-plated screws or grains
- Transparent self-extinguishing polycarbonate



LINK TO Catalogue: [Systems and products for the connection of electrical panels](#)
The catalogue can be downloaded from our website www.cabur.eu



1	CODE	ID CODE	Quantity per pack	Rated cross-section mm ²	Insulation voltage	No. poles	Dimensions mm			
							A	B	C	D
	CONT206	CONT/2/6	20 10	6.0	450V	2	17.0	4.0	15.0	18.0
	CONT216	CONT/2/16	20 5	16.0	450V	2	24.5	6.0	20.0	25.0
	CONT225	CONT/2/25	10 4	25.0	450V	2	26.0	7.5	23.5	29.0
	CONT235	CONT/2/35	5 2	35.0	500V	2	29.5	9.5	32.0	32.0
2										
	CONT306	CONT/3/6	10 5	6.0	450V	3	22.5	4.5	29.0	19.0
	CONT316	CONT/3/16	5	16.0	500V	3	26.0	6.0	33.5	22.5
	CONT325	CONT/3/25	5	25.0	500V	3	30.0	7.5	40.0	27.0
3										
	CONT506	CONT/5/6	10	6.0	450V	5	22.5	4.5	45.0	19.0
	CONT516	CONT/5/16	5	16.0	500V	5	26.0	6.0	52.0	22.5
	CONT525	CONT/5/25	5	25.0	500V	5	31.0	7.5	62.0	22.5