

# Proximity Magnetic Sensors Cylindrical Housing FMM Series



- Cylindrical stainless steel or nickel plated brass housing
- M8 diameter
- NO or CO output functions
- Front side switching

## Product Description

The cylindrical proximity magnetic sensors of the FMM series are characterized by stainless steel body and small dimensions. They can be mounted

directly on ferromagnetic supports as well; in this situation a reduction in the operating distance may occur due to a loss of magnetic field.

## Ordering Key

**FMM A 3**

Type \_\_\_\_\_  
 Output function \_\_\_\_\_  
 Reed contact type \_\_\_\_\_

## Type Selection

| Housing diameter | Connection      | Output function | Reference      |
|------------------|-----------------|-----------------|----------------|
| M8               | PVC cable L= 2m | NO              | <b>FMM A 3</b> |
| M8               | PVC cable L= 2m | NO              | <b>FMM A 6</b> |
| M8               | PVC cable L= 2m | CO              | <b>FMM S 1</b> |

Diameters are specified in millimeters (mm)

## Output Specifications

|  |                   |
|--|-------------------|
| <b>Output</b><br>FMMA3, FMMA6<br>FMMS1 | NO<br>Change-over |
| <b>Contact ratings</b>                 |                   |
| Max Switching Voltage                  |                   |
| FMMA3                                  | 500 VAC           |
| FMMA6                                  | 100 VAC           |
| FMMS1                                  | 100 VAC           |
| Max Switching Current                  |                   |
| FMMA3                                  | 0.5 A             |
| FMMA6                                  | 0.5 A             |
| FMMS1                                  | 0.25 A            |
| Max Switching Power                    |                   |
| FMMA3                                  | 10 VA             |
| FMMA6                                  | 10 VA             |
| FMMS1                                  | 5 VA              |

## General Specifications

|                               |                              |
|-------------------------------|------------------------------|
| <b>Operating distance</b>     | See Operating Distance table |
| <b>Suitable magnetic unit</b> | See Operating Distance table |
| <b>Operating temperature</b>  | -25 to +70 °C                |
| <b>Degree of protection</b>   | IP 67                        |
| <b>Housing</b>                |                              |
| Diameter                      | M8 x 1 mm                    |
| Material                      |                              |
| FMMA3, FMMS1                  | Stainless steel              |
| FMMA6                         | Nickel plated brass          |
| <b>CE-marking</b>             | Yes                          |

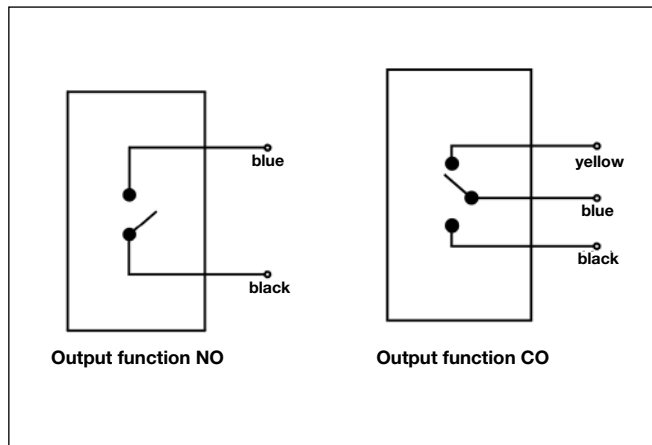
## Operating Distance

| Magnetic Units | CL10 | CL11 | CL18 | CL20S1 | CL20S3 | CL23 | CL31 |
|----------------|------|------|------|--------|--------|------|------|
| FMMS1          | 8    | -    | 8    | 17     | 16     | 16   | 23   |
| FMMA3          | 10   | -    | 10   | 20     | 19     | 18   | 27   |
| FMMA6          | -    | -    | -    | -      | -      | 13   | -    |

Distances are specified in millimeters (mm)

xx: operating distance (for all Output functions).

## Wiring Diagrams



## Dimensions

