

Safety magnetic sensors

Rectangular safety magnetic sensors

Types SMS01, SMS02

CARLO GAVAZZI



- Suitable for applications in safety category 4 in accordance with EN ISO13849-1:2008 when connected to appropriate safety devices
- 1NO + 1NC outputs
- Cable output connection
- Rectangular housing
- Multiple Flux coding
- LED indication (SMS02LD only)
- Series resistor on NO contact (SMS02S1 only)

Product Description

The safety magnetic sensors are particularly addressed to the safety gates that allow the entry to machines with dangerous movements. SMS01 and SMS02, when connected to appropriate safety devices, can be in safety category 4 in accordance with EN ISO13849-1:2008.

They are provided with two contacts, 1 NO + 1 NC. The SMS02S1 model has a series resistor on NO contact to avoid reed welding problems. The SMS02LD model has a LED for signalling.

Ordering Key

SMS 02 LD

Safety Magnetic sensor _____
 Contact Type _____
 Other features _____

Type Selection

Output	Operating distance	LED indication	Item code	Item code (UL)
1 NO + 1 NC	10 mm	No	SMS 01	SMS AP 11 AA 02M
1 NO + 1 NC	20 mm	No	SMS 02	SMS AP 11 AB 02M
1 NO + 1 NC	20 mm	Yes	SMS 02 LD	SMS AP 11 AC 02M
1 NO + 1 NC	20 mm	No	SMS 02 S1	SMS AP 11 AE 02M

Output Specifications

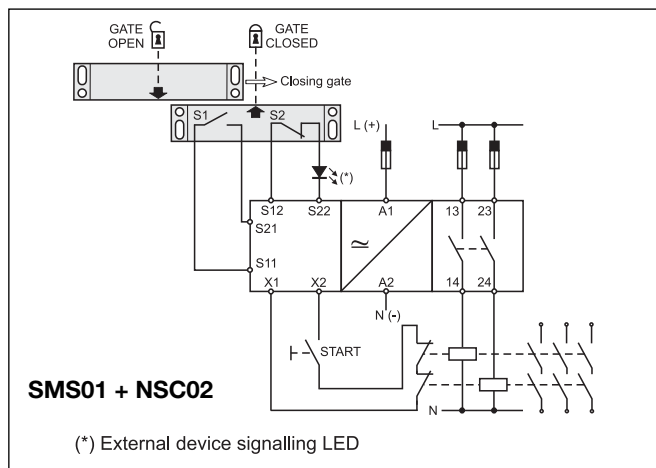
Output	Category 4 (EN ISO13849-1:2008) 1 NO + 1 NC
Output connection	Cable (PVC, AWG 26, L=2m 4 x 0.15 mm ²)
Contact ratings Max Switching Voltage Max Switching Current Max Switching Power	100 VAC 0.25 A 5 VA
Series resistor (NO contact) SMS02S1	R = 39 Ω, 2 W

General Specifications

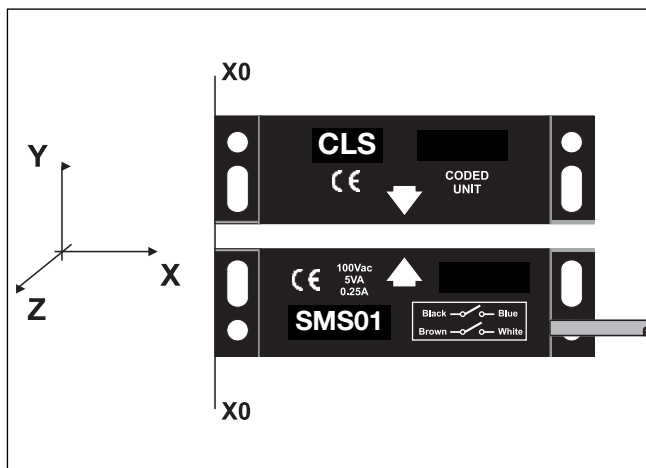
Operating distance ON SMS01 SMS02 xx	10 ± 3 mm 20 ± 3 mm
Release distance OFF SMS01 SMS02 xx	15 ± 3 mm 30 ± 5 mm
Reset distance SMS01 SMS02 xx	20 ± 3 mm 35 ± 5 mm
Suitable magnetic unit	CLS
Misalignment	max ± 4 mm
Housing Dimensions Material	88 x 25 x 13 mm Plastic
Weight	Approx. 70 g
Environment Degree of protection Operating temperature Storage temperature	IP 67 -25 to +70 °C -25 to +70 °C
Indication for Gate open (SMS02LD)	LED, red



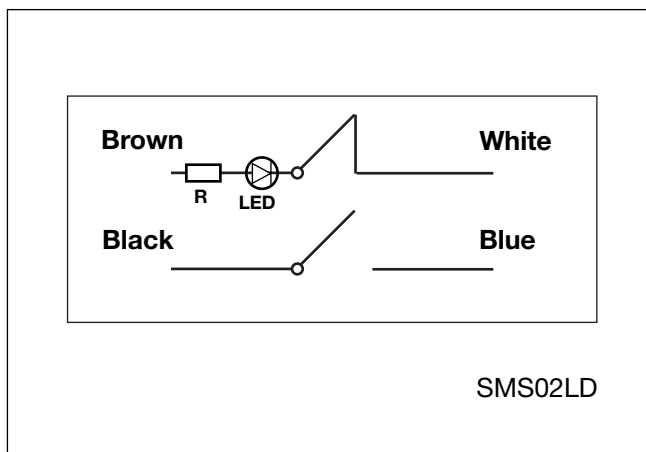
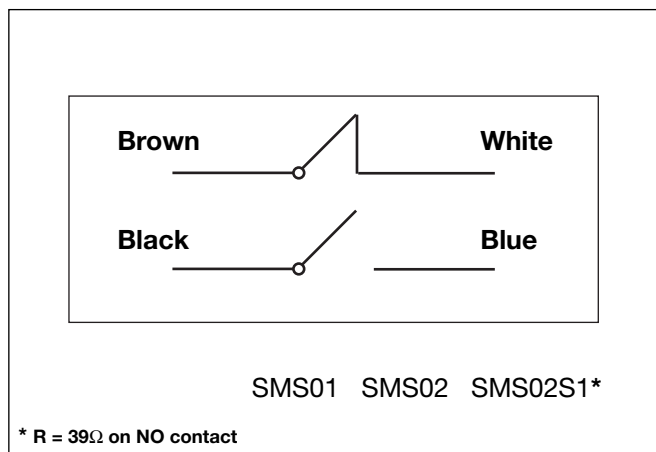
Application



Operating directions



Wiring Diagrams



Dimensions

